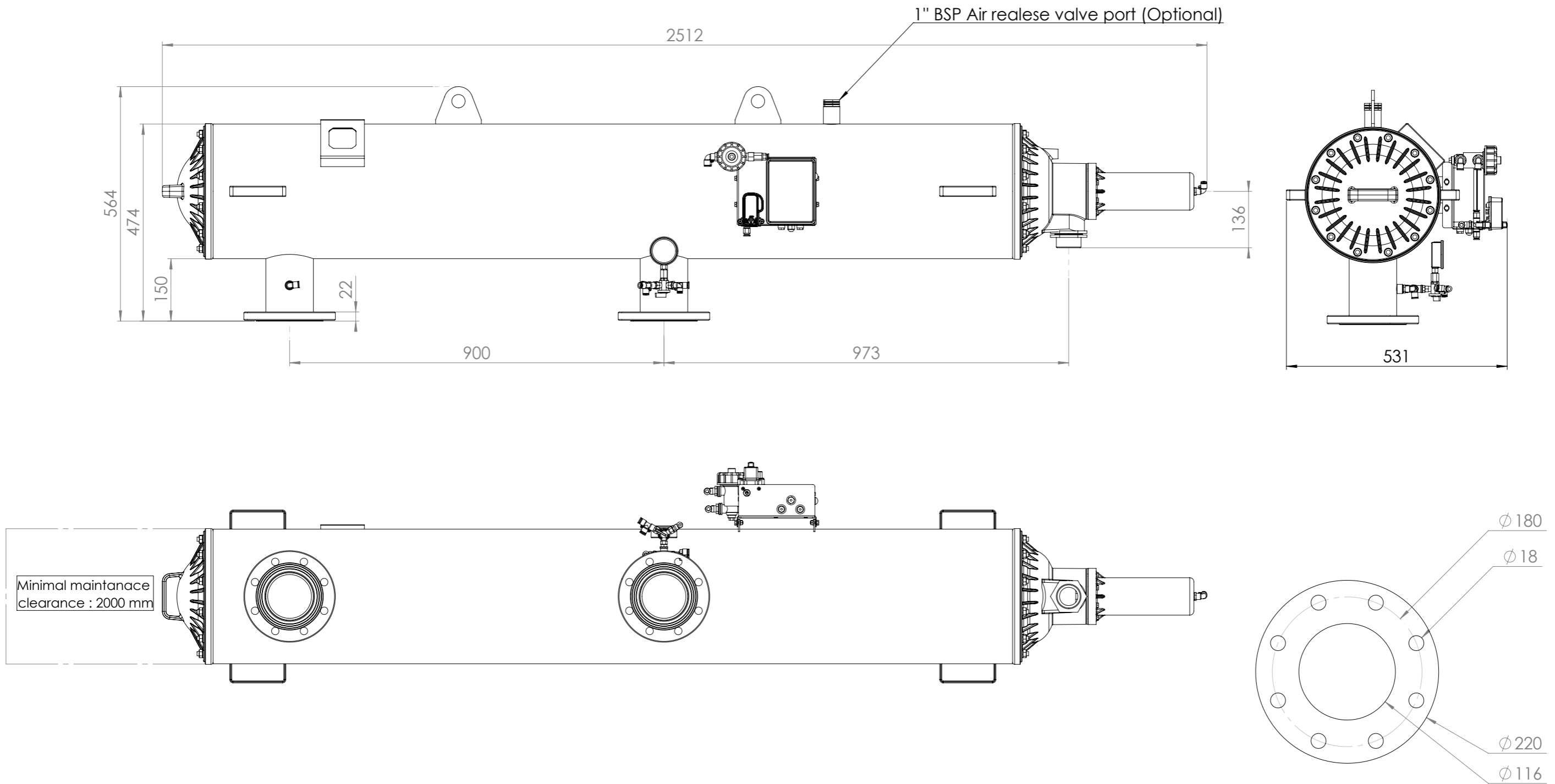


|             |       |             |       |  |        |   |        |       |       |        |        |       |       |        |        |     |     |      |       |       |        |        |        |       |       |      |       |      |      |      |   |      |      |      |       |       |      |       |       |       |       |             |  |  |  |
|-------------|-------|-------------|-------|--|--------|---|--------|-------|-------|--------|--------|-------|-------|--------|--------|-----|-----|------|-------|-------|--------|--------|--------|-------|-------|------|-------|------|------|------|---|------|------|------|-------|-------|------|-------|-------|-------|-------|-------------|--|--|--|
| Material:   |       | ST37 / PA30 |       | Project:   |        | Screen Guard  |        |       |       |        |        |       |       |        |        |     |     |      |       |       |        |        |        |       |       |      |       |      |      |      |   |      |      |      |       |       |      |       |       |       |       |             |  |  |  |
| Finish:     |       |             |       | Subject:   |        | Automatic Screen filter   |        |       |       |        |        |       |       |        |        |     |     |      |       |       |        |        |        |       |       |      |       |      |      |      |   |      |      |      |       |       |      |       |       |       |       |             |  |  |  |
| Drawing No. |       | N126882/1   |       | Part Name:   |        | SGH 4   |        |       |       |        |        |       |       |        |        |     |     |      |       |       |        |        |        |       |       |      |       |      |      |      |   |      |      |      |       |       |      |       |       |       |       |             |  |  |  |
| Part No.    |       | Quantity:   |       | <b>General Tolerance According to ISO 2768-f</b><br>LINEAR DIMENSIONS<br>Permissible deviations in mm for ranges in nominal lengths<br><table border="1"> <tr> <td>≥ 0.5</td> <td>&gt; 3</td> <td>&gt; 6</td> <td>&gt; 30</td> <td>&gt; 120</td> <td>&gt; 400</td> <td>&gt; 1000</td> <td>&gt; 2000</td> </tr> <tr> <td>≤ 3</td> <td>≤ 6</td> <td>≤ 30</td> <td>≤ 120</td> <td>≤ 400</td> <td>≤ 1000</td> <td>≤ 2000</td> <td>≤ 4000</td> </tr> <tr> <td>+0.05</td> <td>+0.05</td> <td>+0.1</td> <td>+0.15</td> <td>+0.2</td> <td>+0.3</td> <td>+0.5</td> <td>-</td> </tr> </table> ANGULAR DIMENSIONS<br>Permissible deviations in degrees and minutes for ranges in nominal lengths<br><table border="1"> <tr> <td>≤ 10</td> <td>&gt; 10</td> <td>&gt; 50</td> <td>&gt; 120</td> <td>&gt; 400</td> </tr> <tr> <td>≤ 50</td> <td>≤ 120</td> <td>≤ 400</td> <td>± 10'</td> <td>± 05'</td> </tr> </table> |        |   |        | ≥ 0.5 | > 3   | > 6    | > 30   | > 120 | > 400 | > 1000 | > 2000 | ≤ 3 | ≤ 6 | ≤ 30 | ≤ 120 | ≤ 400 | ≤ 1000 | ≤ 2000 | ≤ 4000 | +0.05 | +0.05 | +0.1 | +0.15 | +0.2 | +0.3 | +0.5 | - | ≤ 10 | > 10 | > 50 | > 120 | > 400 | ≤ 50 | ≤ 120 | ≤ 400 | ± 10' | ± 05' | Designed By |  |  |  |
| ≥ 0.5       | > 3   | > 6         | > 30  |  |        |   |        | > 120 | > 400 | > 1000 | > 2000 |       |       |        |        |     |     |      |       |       |        |        |        |       |       |      |       |      |      |      |   |      |      |      |       |       |      |       |       |       |       |             |  |  |  |
| ≤ 3         | ≤ 6   | ≤ 30        | ≤ 120 | ≤ 400  | ≤ 1000 | ≤ 2000  | ≤ 4000 |       |       |        |        |       |       |        |        |     |     |      |       |       |        |        |        |       |       |      |       |      |      |      |   |      |      |      |       |       |      |       |       |       |       |             |  |  |  |
| +0.05       | +0.05 | +0.1        | +0.15 | +0.2   | +0.3   | +0.5  | -      |       |       |        |        |       |       |        |        |     |     |      |       |       |        |        |        |       |       |      |       |      |      |      |   |      |      |      |       |       |      |       |       |       |       |             |  |  |  |
| ≤ 10        | > 10  | > 50        | > 120 | > 400  |        |   |        |       |       |        |        |       |       |        |        |     |     |      |       |       |        |        |        |       |       |      |       |      |      |      |   |      |      |      |       |       |      |       |       |       |       |             |  |  |  |
| ≤ 50        | ≤ 120 | ≤ 400       | ± 10' | ± 05'  |        |   |        |       |       |        |        |       |       |        |        |     |     |      |       |       |        |        |        |       |       |      |       |      |      |      |   |      |      |      |       |       |      |       |       |       |       |             |  |  |  |
| 3-D Proj.   |       | Sheet Size: |       | Scale:   |        | Drawn By: a21434 16 May 2018<br>Checked By: QA<br>Sheet: 1 Of: 5 Rev. - |        |       |       |        |        |       |       |        |        |     |     |      |       |       |        |        |        |       |       |      |       |      |      |      |   |      |      |      |       |       |      |       |       |       |       |             |  |  |  |
| A3          |       | 1:20        |       | File Name: SGH4S installation dimensions.sldrw   |        |   |        |       |       |        |        |       |       |        |        |     |     |      |       |       |        |        |        |       |       |      |       |      |      |      |   |      |      |      |       |       |      |       |       |       |       |             |  |  |  |

**NETAFIM™**  
 PROPRIETARY AND CONFIDENTIAL  
 THE INFORMATION CONTAINED IN THIS  
 DRAWING IS THE SOLE PROPERTY OF  
 NETAFIM. ANY REPRODUCTION IN PART  
 OR AS A WHOLE WITHOUT THE WRITTEN  
 PERMISSION OF NETAFIM IS PROHIBITED.



| REV.   | DESCRIPTION | DATE   | APPROVED                |        |        |        |        |       |       |         |         |         |        |      |       |       |        |        |        |       |       |      |       |      |      |      |   |
|--|-------------|--|-------------------------|--------|--------|--------|--------|-------|-------|---------|---------|---------|--------|------|-------|-------|--------|--------|--------|-------|-------|------|-------|------|------|------|---|
| Material:                                      | ST37 / PA30 | Project:   | Screen Guard            |        |        |        |        |       |       |         |         |         |        |      |       |       |        |        |        |       |       |      |       |      |      |      |   |
| Finish:  |             | Subject:   | Automatic Screen Filter |        |        |        |        |       |       |         |         |         |        |      |       |       |        |        |        |       |       |      |       |      |      |      |   |
| Drawing No.                                    | N126882/1   | Part Name:   | SGH 4S<br>ISO PN10      |        |        |        |        |       |       |         |         |         |        |      |       |       |        |        |        |       |       |      |       |      |      |      |   |
| Part No.                                       | Quantity:   | General Tolerance According to ISO 2768-f  |                         |        |        |        |        |       |       |         |         |         |        |      |       |       |        |        |        |       |       |      |       |      |      |      |   |
|  | 1           |  |                         |        |        |        |        |       |       |         |         |         |        |      |       |       |        |        |        |       |       |      |       |      |      |      |   |
| 3-D Proj.                                      | Sheet Size: | Permissible deviations in mm for ranges in nominal lengths   |                         |        |        |        |        |       |       |         |         |         |        |      |       |       |        |        |        |       |       |      |       |      |      |      |   |
|  | A3          | <table border="1"> <tr> <td>≥ 0.5</td> <td>&gt; 3</td> <td>&gt; 6</td> <td>&gt; 30</td> <td>&gt; 120</td> <td>&gt; 400</td> <td>&gt; 1000</td> <td>&gt; 2000</td> </tr> <tr> <td>≤ 3</td> <td>≤ 6</td> <td>≤ 30</td> <td>≤ 120</td> <td>≤ 400</td> <td>≤ 1000</td> <td>≤ 2000</td> <td>≤ 4000</td> </tr> <tr> <td>+0.05</td> <td>+0.05</td> <td>+0.1</td> <td>+0.15</td> <td>+0.2</td> <td>+0.3</td> <td>+0.5</td> <td>-</td> </tr> </table> |                         | ≥ 0.5  | > 3    | > 6    | > 30   | > 120 | > 400 | > 1000  | > 2000  | ≤ 3     | ≤ 6    | ≤ 30 | ≤ 120 | ≤ 400 | ≤ 1000 | ≤ 2000 | ≤ 4000 | +0.05 | +0.05 | +0.1 | +0.15 | +0.2 | +0.3 | +0.5 | - |
| ≥ 0.5  | > 3         | > 6  | > 30                    | > 120  | > 400  | > 1000 | > 2000 |       |       |         |         |         |        |      |       |       |        |        |        |       |       |      |       |      |      |      |   |
| ≤ 3  | ≤ 6         | ≤ 30   | ≤ 120                   | ≤ 400  | ≤ 1000 | ≤ 2000 | ≤ 4000 |       |       |         |         |         |        |      |       |       |        |        |        |       |       |      |       |      |      |      |   |
| +0.05  | +0.05       | +0.1   | +0.15                   | +0.2   | +0.3   | +0.5   | -      |       |       |         |         |         |        |      |       |       |        |        |        |       |       |      |       |      |      |      |   |
|  | Scale:      | Permissible deviations in degrees and minutes for ranges in nominal lengths  |                         |        |        |        |        |       |       |         |         |         |        |      |       |       |        |        |        |       |       |      |       |      |      |      |   |
|  | 1:20        | <table border="1"> <tr> <td>≤ 10°</td> <td>&gt; 10</td> <td>&gt; 50</td> <td>&gt; 120</td> <td>&gt; 400</td> </tr> <tr> <td>± 1°</td> <td>± 0°30'</td> <td>± 0°20'</td> <td>± 0°10'</td> <td>± 0°5'</td> </tr> </table>  |                         | ≤ 10°  | > 10   | > 50   | > 120  | > 400 | ± 1°  | ± 0°30' | ± 0°20' | ± 0°10' | ± 0°5' |      |       |       |        |        |        |       |       |      |       |      |      |      |   |
| ≤ 10°  | > 10        | > 50   | > 120                   | > 400  |        |        |        |       |       |         |         |         |        |      |       |       |        |        |        |       |       |      |       |      |      |      |   |
| ± 1°   | ± 0°30'     | ± 0°20'  | ± 0°10'                 | ± 0°5' |        |        |        |       |       |         |         |         |        |      |       |       |        |        |        |       |       |      |       |      |      |      |   |
| File Name: SGH4S installation dimensions.sldrw |             | Drawn By:  | a21434 16 May 2018      |        |        |        |        |       |       |         |         |         |        |      |       |       |        |        |        |       |       |      |       |      |      |      |   |
|  |             | Checked By:  | QA                      |        |        |        |        |       |       |         |         |         |        |      |       |       |        |        |        |       |       |      |       |      |      |      |   |
|  |             | Sheet:   | 2 Of: 5 Rev. -          |        |        |        |        |       |       |         |         |         |        |      |       |       |        |        |        |       |       |      |       |      |      |      |   |



**PROPRIETARY AND CONFIDENTIAL**  
 THE INFORMATION CONTAINED IN THIS DRAWING IS THE SOLE PROPERTY OF NETAFIM. ANY REPRODUCTION IN PART OR AS A WHOLE WITHOUT THE WRITTEN PERMISSION OF NETAFIM IS PROHIBITED.

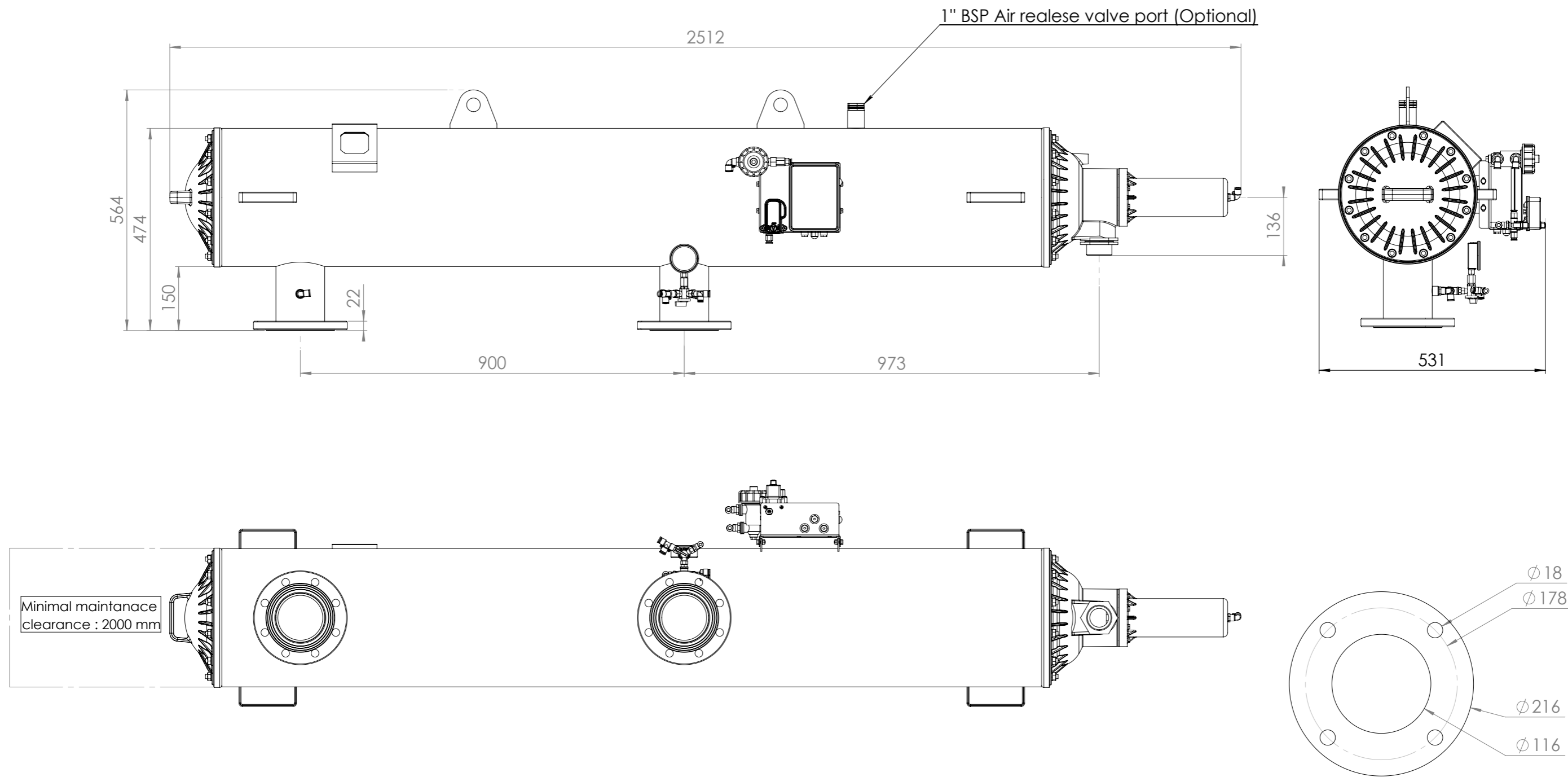
Designed By:

Drawn By: a21434 16 May 2018

Checked By:

QA

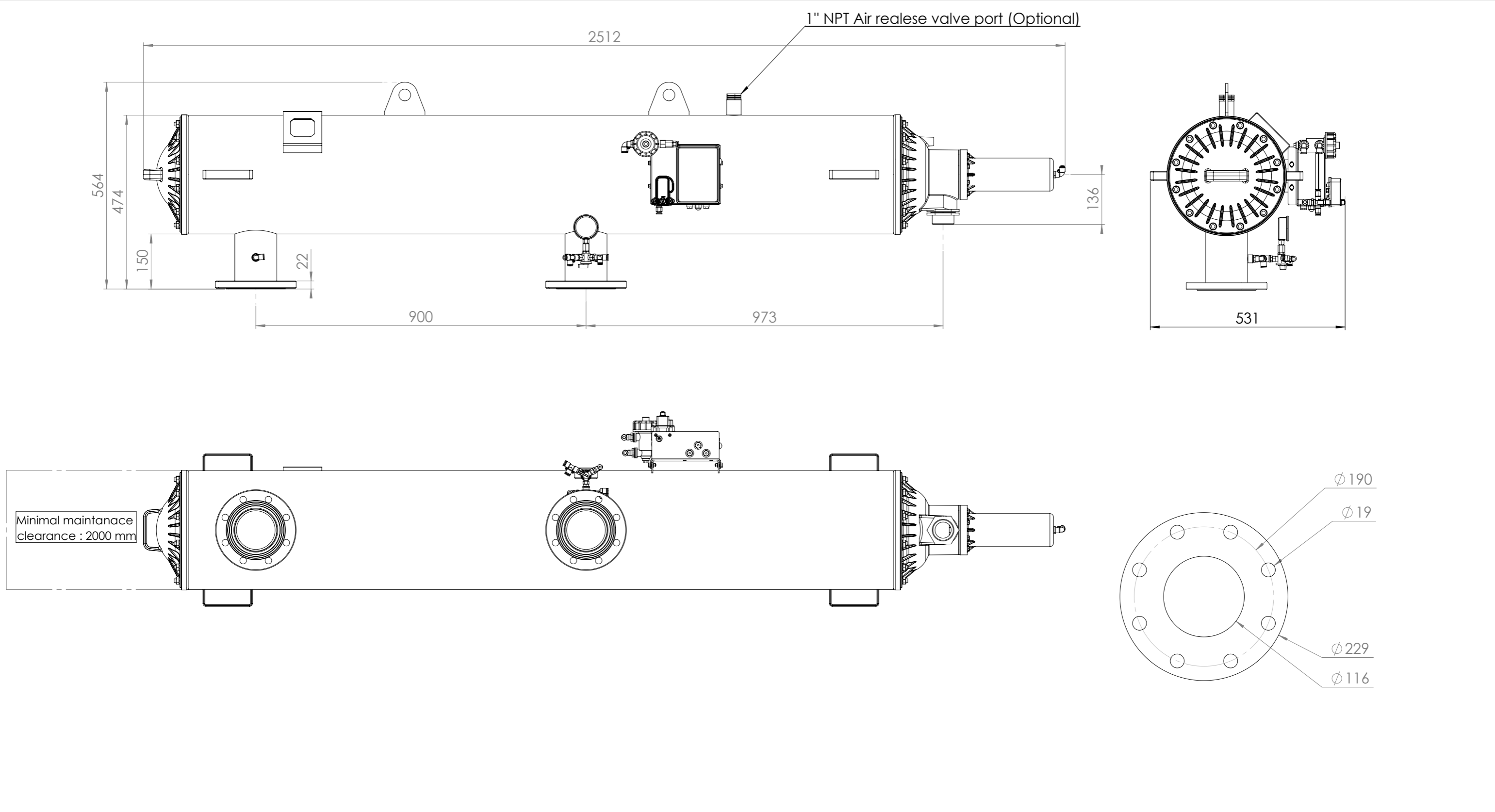
Sheet: 2 Of: 5 Rev. -



| REV.   | DESCRIPTION | DATE   | APPROVED  |                   |       |   |        |       |         |                    |         |        |   |    |  |    |  |  |  |  |   |  |  |  |  |       |     |     |      |       |       |        |        |       |       |       |        |        |        |        |       |        |       |       |       |   |      |         |         |         |        |
|--|-------------|--|---|-------------------|-------|---|--------|-------|---------|--------------------|---------|--------|---|----|--|----|--|--|--|--|---|--|--|--|--|-------|-----|-----|------|-------|-------|--------|--------|-------|-------|-------|--------|--------|--------|--------|-------|--------|-------|-------|-------|---|------|---------|---------|---------|--------|
| Material:  | ST37 / PA30 | Project:   | Screen Guard  |                   |       |   |        |       |         |                    |         |        |   |    |  |    |  |  |  |  |   |  |  |  |  |       |     |     |      |       |       |        |        |       |       |       |        |        |        |        |       |        |       |       |       |   |      |         |         |         |        |
| Finish:  |             | Subject:   | Automatic Screen Filter   |                   |       |   |        |       |         |                    |         |        |   |    |  |    |  |  |  |  |   |  |  |  |  |       |     |     |      |       |       |        |        |       |       |       |        |        |        |        |       |        |       |       |       |   |      |         |         |         |        |
| Drawing No.  | N126882/1   | Part Name:   | SGH 4S<br>BSTD  |                   |       |   |        |       |         |                    |         |        |   |    |  |    |  |  |  |  |   |  |  |  |  |       |     |     |      |       |       |        |        |       |       |       |        |        |        |        |       |        |       |       |       |   |      |         |         |         |        |
| Part No.   | Quantity:   | General Tolerance According to ISO 2768-f  |   |                   |       |   |        |       |         |                    |         |        |   |    |  |    |  |  |  |  |   |  |  |  |  |       |     |     |      |       |       |        |        |       |       |       |        |        |        |        |       |        |       |       |       |   |      |         |         |         |        |
|  | 1           | <table border="0"> <tr> <th colspan="6">LINEAR DIMENSIONS</th> <th colspan="5">ANGULAR DIMENSIONS</th> </tr> <tr> <td colspan="6">Permissible deviations in mm for ranges in nominal lengths</td> <td colspan="5">Permissible deviations in degrees and minutes for ranges in nominal lengths</td> </tr> <tr> <td>≥ 0.5</td> <td>&gt; 3</td> <td>&gt; 6</td> <td>&gt; 30</td> <td>&gt; 120</td> <td>&gt; 400</td> <td>&gt; 1000</td> <td>&gt; 2000</td> <td>≤ 10°</td> <td>&gt; 10°</td> <td>&gt; 50°</td> <td>&gt; 120°</td> <td>&gt; 400°</td> </tr> <tr> <td>± 0.05</td> <td>± 0.05</td> <td>± 0.1</td> <td>± 0.15</td> <td>± 0.2</td> <td>± 0.3</td> <td>± 0.5</td> <td>-</td> <td>± 1°</td> <td>± 0°30'</td> <td>± 0°20'</td> <td>± 0°10'</td> <td>± 0°5'</td> </tr> </table> |   | LINEAR DIMENSIONS |       |   |        |       |         | ANGULAR DIMENSIONS |         |        |   |    | Permissible deviations in mm for ranges in nominal lengths |    |  |  |  |  | Permissible deviations in degrees and minutes for ranges in nominal lengths |  |  |  |  | ≥ 0.5 | > 3 | > 6 | > 30 | > 120 | > 400 | > 1000 | > 2000 | ≤ 10° | > 10° | > 50° | > 120° | > 400° | ± 0.05 | ± 0.05 | ± 0.1 | ± 0.15 | ± 0.2 | ± 0.3 | ± 0.5 | - | ± 1° | ± 0°30' | ± 0°20' | ± 0°10' | ± 0°5' |
| LINEAR DIMENSIONS  |             |  |   |                   |       | ANGULAR DIMENSIONS  |        |       |         |                    |         |        |   |    |  |    |  |  |  |  |   |  |  |  |  |       |     |     |      |       |       |        |        |       |       |       |        |        |        |        |       |        |       |       |       |   |      |         |         |         |        |
| Permissible deviations in mm for ranges in nominal lengths |             |  |   |                   |       | Permissible deviations in degrees and minutes for ranges in nominal lengths |        |       |         |                    |         |        |   |    |  |    |  |  |  |  |   |  |  |  |  |       |     |     |      |       |       |        |        |       |       |       |        |        |        |        |       |        |       |       |       |   |      |         |         |         |        |
| ≥ 0.5  | > 3         | > 6  | > 30  | > 120             | > 400 | > 1000  | > 2000 | ≤ 10° | > 10°   | > 50°              | > 120°  | > 400° |   |    |  |    |  |  |  |  |   |  |  |  |  |       |     |     |      |       |       |        |        |       |       |       |        |        |        |        |       |        |       |       |       |   |      |         |         |         |        |
| ± 0.05   | ± 0.05      | ± 0.1  | ± 0.15  | ± 0.2             | ± 0.3 | ± 0.5   | -      | ± 1°  | ± 0°30' | ± 0°20'            | ± 0°10' | ± 0°5' |   |    |  |    |  |  |  |  |   |  |  |  |  |       |     |     |      |       |       |        |        |       |       |       |        |        |        |        |       |        |       |       |       |   |      |         |         |         |        |
| 3-D Proj.  | Sheet Size: | Scale:   | <table border="0"> <tr> <td>⊕</td> <td>A3</td> <td>1:20</td> <td>QA</td> </tr> </table> |                   |       |   |        |       |         |                    |         |        | ⊕ | A3 | 1:20   | QA |  |  |  |  |   |  |  |  |  |       |     |     |      |       |       |        |        |       |       |       |        |        |        |        |       |        |       |       |       |   |      |         |         |         |        |
| ⊕  | A3          | 1:20   | QA  |                   |       |   |        |       |         |                    |         |        |   |    |  |    |  |  |  |  |   |  |  |  |  |       |     |     |      |       |       |        |        |       |       |       |        |        |        |        |       |        |       |       |       |   |      |         |         |         |        |
| File Name: SGH4S installation dimensions.sldrw             |             |  | Designed By<br>Drawn By: a21434<br>Checked By:<br>Sheet: 3 Of: 5 Rev. -                 |                   |       |   |        |       |         |                    |         |        |   |    |  |    |  |  |  |  |   |  |  |  |  |       |     |     |      |       |       |        |        |       |       |       |        |        |        |        |       |        |       |       |       |   |      |         |         |         |        |



**PROPRIETARY AND CONFIDENTIAL**  
 THE INFORMATION CONTAINED IN THIS DRAWING IS THE SOLE PROPERTY OF NETAFIM. ANY REPRODUCTION IN PART OR AS A WHOLE WITHOUT THE WRITTEN PERMISSION OF NETAFIM IS PROHIBITED.



| REV.        | DESCRIPTION                         | DATE   | APPROVED                       |        |       |        |        |        |       |         |         |         |        |       |        |       |       |       |   |
|-------------|-------------------------------------|--|--------------------------------|--------|-------|--------|--------|--------|-------|---------|---------|---------|--------|-------|--------|-------|-------|-------|---|
| Material:   | ST37 / PA30                         | Project:   | Screen Guard                   |        |       |        |        |        |       |         |         |         |        |       |        |       |       |       |   |
| Finish:     |                                     | Subject:   | Automatic Screen Filter        |        |       |        |        |        |       |         |         |         |        |       |        |       |       |       |   |
| Drawing No. | N126882/1                           | Part Name:   | SGH 4S<br>ASME B16.5 class 150 |        |       |        |        |        |       |         |         |         |        |       |        |       |       |       |   |
| Part No.    | Quantity:                           | General Tolerance According to ISO 2768-f  |                                |        |       |        |        |        |       |         |         |         |        |       |        |       |       |       |   |
|             | 1                                   |  |                                |        |       |        |        |        |       |         |         |         |        |       |        |       |       |       |   |
| 3-D Proj.   | Sheet Size:                         | Permissible deviations in mm for ranges in nominal lengths   |                                |        |       |        |        |        |       |         |         |         |        |       |        |       |       |       |   |
|             | A3                                  | <table border="1"> <tr> <td>≥ 0.5</td> <td>&gt; 3</td> <td>&gt; 6</td> <td>&gt; 30</td> <td>&gt; 120</td> <td>&gt; 400</td> <td>&gt; 1000</td> <td>&gt; 2000</td> </tr> <tr> <td>± 0.05</td> <td>± 0.05</td> <td>± 0.1</td> <td>± 0.15</td> <td>± 0.2</td> <td>± 0.3</td> <td>± 0.5</td> <td>-</td> </tr> </table> |                                | ≥ 0.5  | > 3   | > 6    | > 30   | > 120  | > 400 | > 1000  | > 2000  | ± 0.05  | ± 0.05 | ± 0.1 | ± 0.15 | ± 0.2 | ± 0.3 | ± 0.5 | - |
| ≥ 0.5       | > 3                                 | > 6  | > 30                           | > 120  | > 400 | > 1000 | > 2000 |        |       |         |         |         |        |       |        |       |       |       |   |
| ± 0.05      | ± 0.05                              | ± 0.1  | ± 0.15                         | ± 0.2  | ± 0.3 | ± 0.5  | -      |        |       |         |         |         |        |       |        |       |       |       |   |
|             | Scale:                              | Permissible deviations in degrees and minutes for ranges in nominal lengths  |                                |        |       |        |        |        |       |         |         |         |        |       |        |       |       |       |   |
|             | 1:20                                | <table border="1"> <tr> <td>≤ 10°</td> <td>&gt; 10°</td> <td>&gt; 50°</td> <td>&gt; 120°</td> <td>&gt; 400°</td> </tr> <tr> <td>± 1°</td> <td>± 0°30'</td> <td>± 0°20'</td> <td>± 0°10'</td> <td>± 0°5'</td> </tr> </table>  |                                | ≤ 10°  | > 10° | > 50°  | > 120° | > 400° | ± 1°  | ± 0°30' | ± 0°20' | ± 0°10' | ± 0°5' |       |        |       |       |       |   |
| ≤ 10°       | > 10°                               | > 50°  | > 120°                         | > 400° |       |        |        |        |       |         |         |         |        |       |        |       |       |       |   |
| ± 1°        | ± 0°30'                             | ± 0°20'  | ± 0°10'                        | ± 0°5' |       |        |        |        |       |         |         |         |        |       |        |       |       |       |   |
| File Name:  | SGH4S installation dimensions.sldrw |  |                                |        |       |        |        |        |       |         |         |         |        |       |        |       |       |       |   |
| Drawn By:   | a21434                              | 16 May 2018  |                                |        |       |        |        |        |       |         |         |         |        |       |        |       |       |       |   |
| Checked By: |                                     |  |                                |        |       |        |        |        |       |         |         |         |        |       |        |       |       |       |   |
| QA:         |                                     |  |                                |        |       |        |        |        |       |         |         |         |        |       |        |       |       |       |   |
| Sheet:      | 4                                   | Of:  | 5                              |        |       |        |        |        |       |         |         |         |        |       |        |       |       |       |   |
| Rev.:       |                                     |  | -                              |        |       |        |        |        |       |         |         |         |        |       |        |       |       |       |   |

**NETAFIM™**  
 PROPRIETARY AND CONFIDENTIAL  
 THE INFORMATION CONTAINED IN THIS DRAWING IS THE SOLE PROPERTY OF NETAFIM. ANY REPRODUCTION IN PART OR AS A WHOLE WITHOUT THE WRITTEN PERMISSION OF NETAFIM IS PROHIBITED.