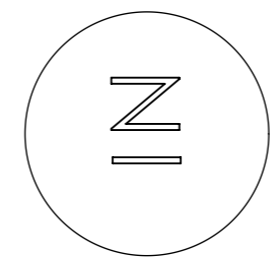
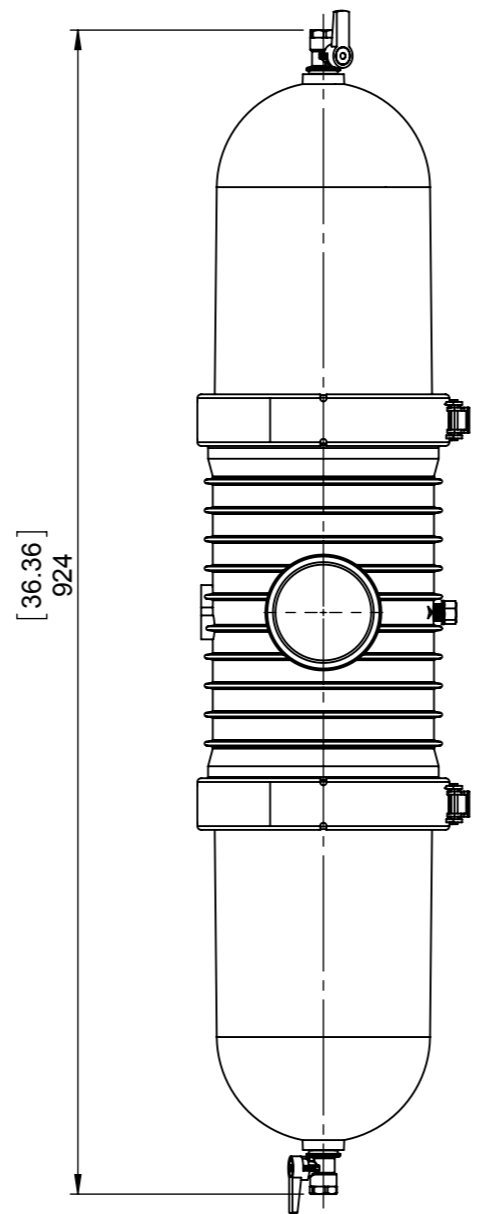
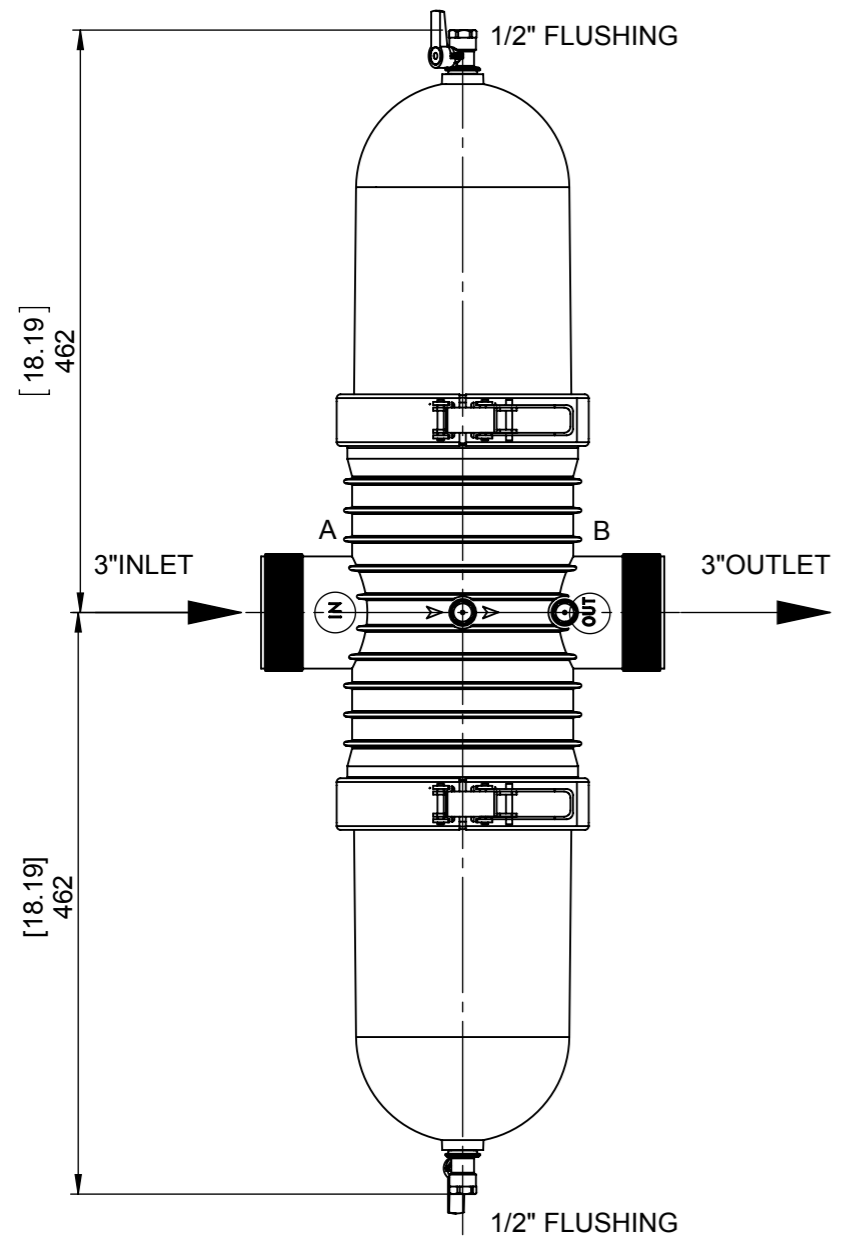
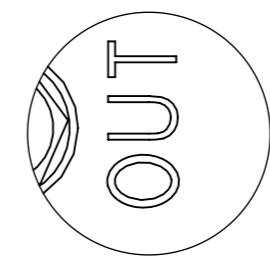


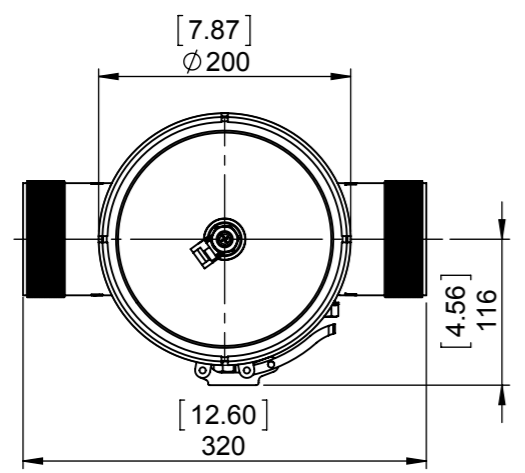
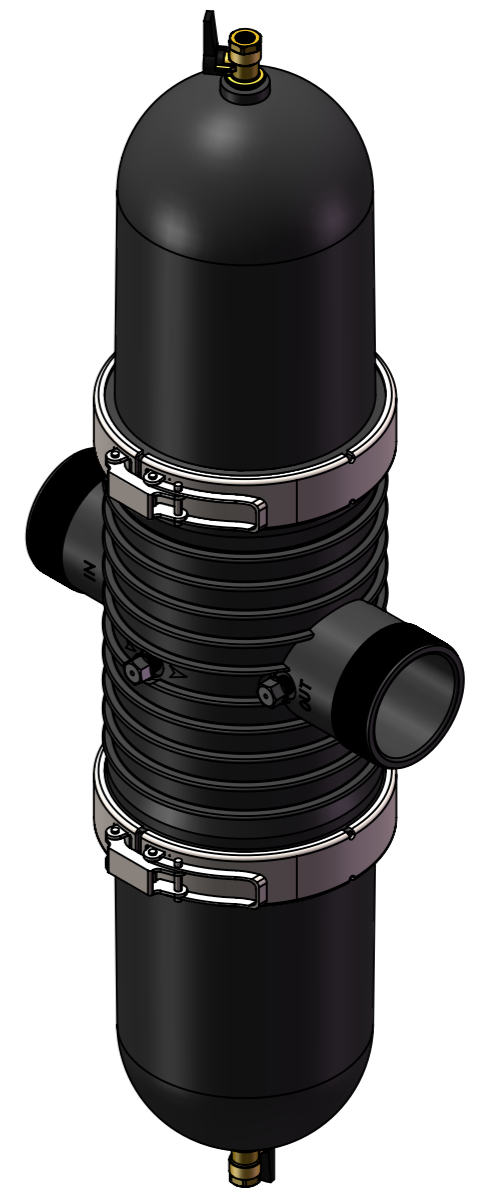
REV.	DATE	DESCRIPTION	ECO NO.	NAME
------	------	-------------	---------	------



DETAIL A
SCALE 1 : 1



DETAIL B
SCALE 1 : 1



UNLESS OTHERWISE SPECIFIED: DIMENSIONS ARE IN MILLIMETERS			PART NAME/TITLE: 3" TWIN BSPT FILTER RPA BLACK DISC 130MIC 1/2" VALVE								
<table border="1"> <thead> <tr> <th>NAME</th> <th>DATE</th> </tr> </thead> <tbody> <tr> <td>DRAWN Arkadi</td> <td>24.07.2017</td> </tr> <tr> <td>APPROVED Marina.K</td> <td>24.07.2017</td> </tr> </tbody> </table>			NAME	DATE	DRAWN Arkadi	24.07.2017	APPROVED Marina.K	24.07.2017	SUBJECT/PROJECT: 3" TWIN FILTER THREAD		
NAME	DATE										
DRAWN Arkadi	24.07.2017										
APPROVED Marina.K	24.07.2017										
Confidential property information. Amiad Water Systems Ltd. Reserves the rights to make changes. All copy rights reserved to Amiad Water Systems Ltd.			MATERIAL: VARIOUS		CAT. NO: 014002-000079						
			WEIGHT: ERROR!Weight KG		DRW. REV.: A						
			DRW. NO: 014002-000079-GA								
			SCALE: 1:10	SIZE: A3	SHEET 1 OF 1						