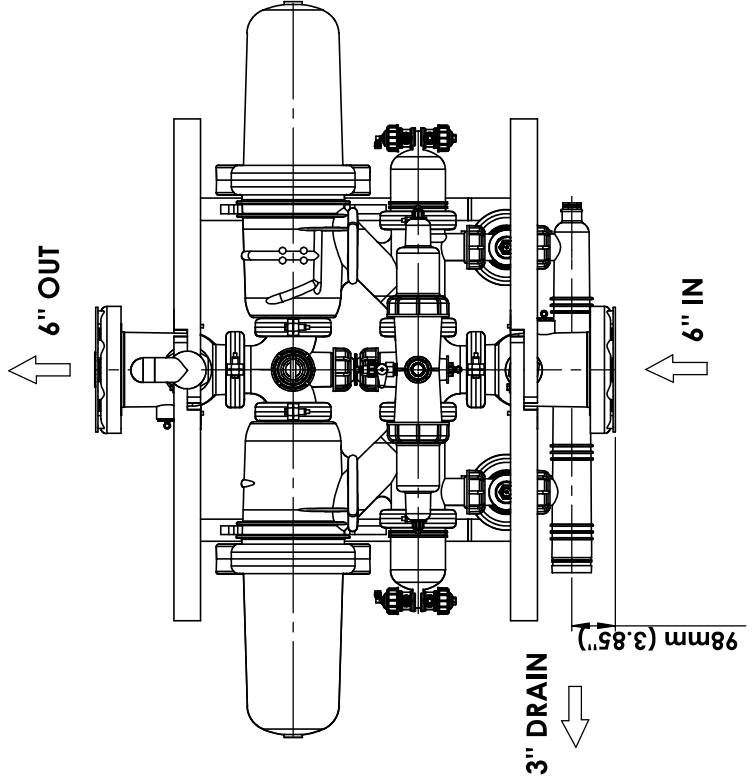
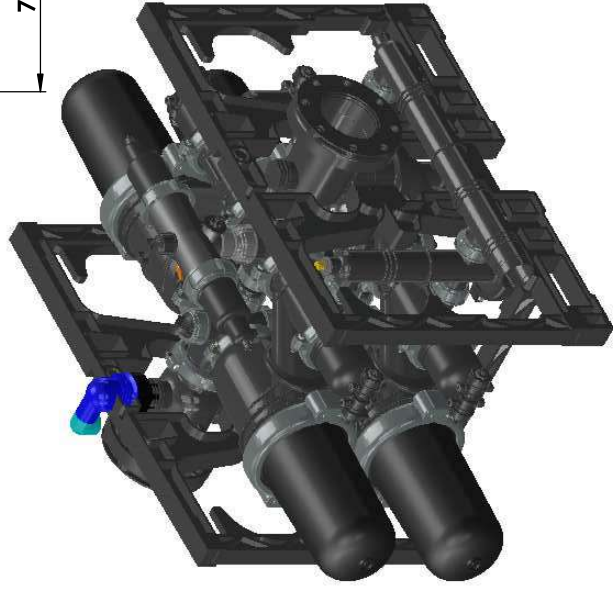
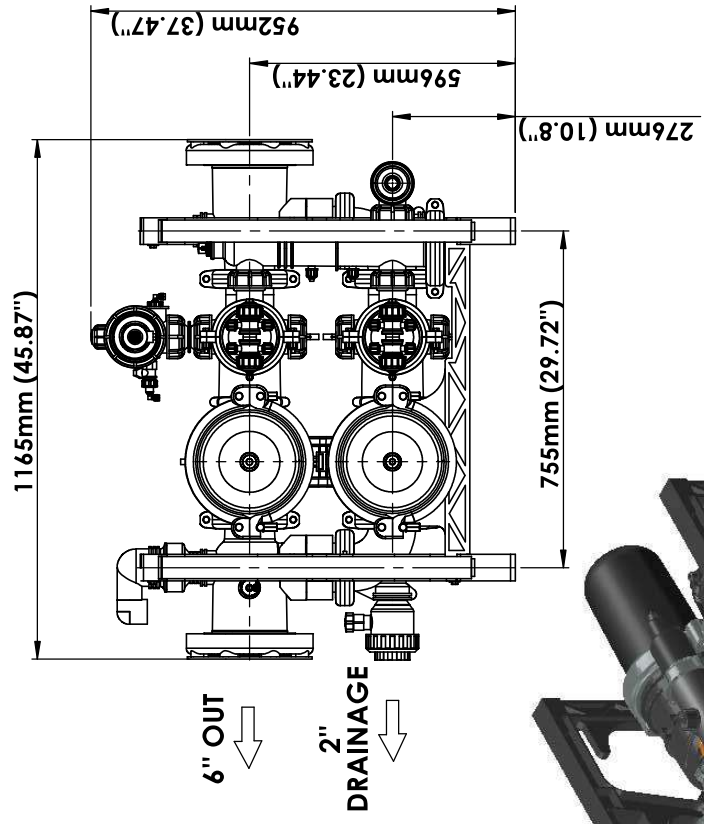
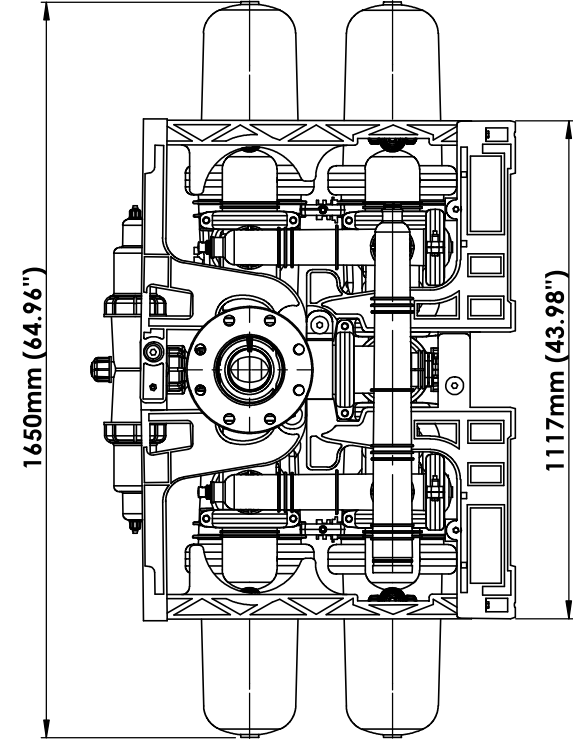


F 2 3 4 5 6 7 8



UNLESS OTHERWISE SPECIFIED: DIMENSIONS ARE IN MILLIMETERS		SUBJECT/PROJECT: 6" SK ALPHA PLUS DUAL AKF 130M PP	
DRAWN	NAME ELENA	DATE 12/08/2020	PART NAME/TITLE: ASSEMBLY DRAWING
CHECKED	MARINA	25/09/2020	MATERIAL: 117101-000001
APPROVED	ALEX	25/09/2020	DRW. NO: DRW-0000046736
Confidential property information. Amiad Water Systems Ltd. Reserves the rights to make changes. All copy rights reserved to Amiad Water Systems Ltd.		Backup Drawing: 	
		SCALE: 1:12	
		SIZE: A3	
		SHEET: 2	