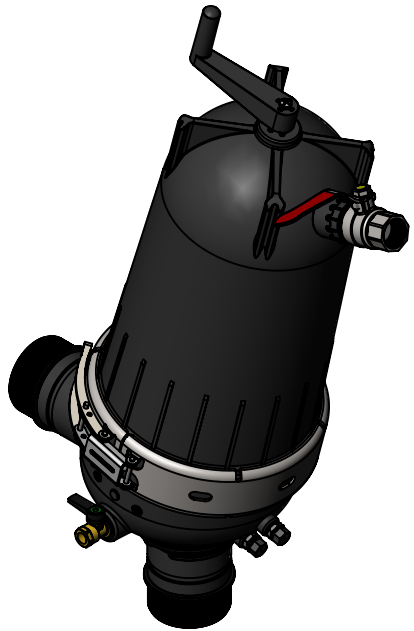
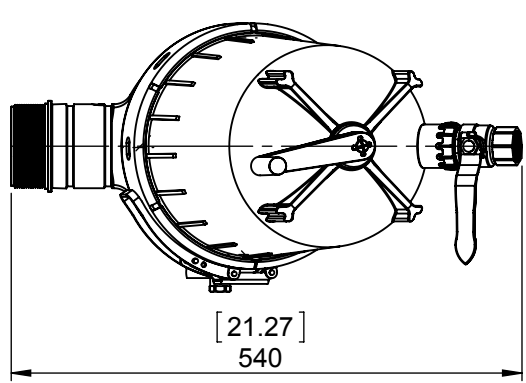
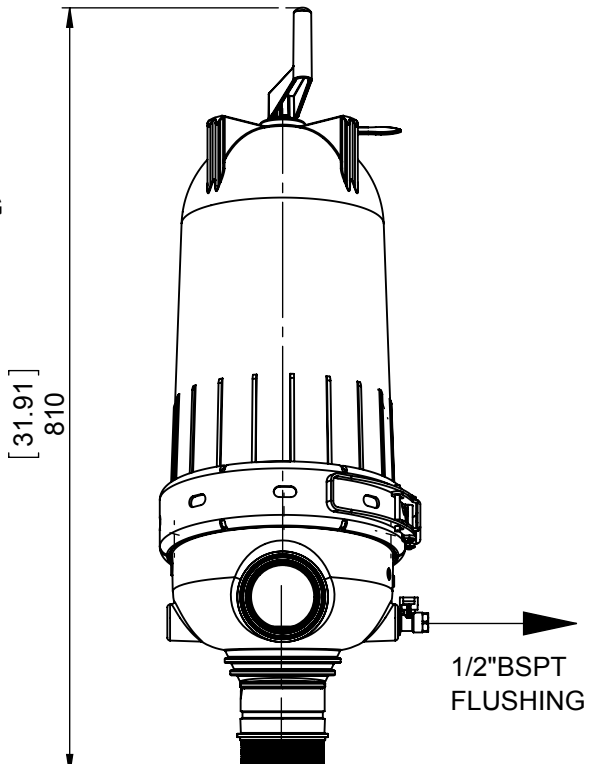
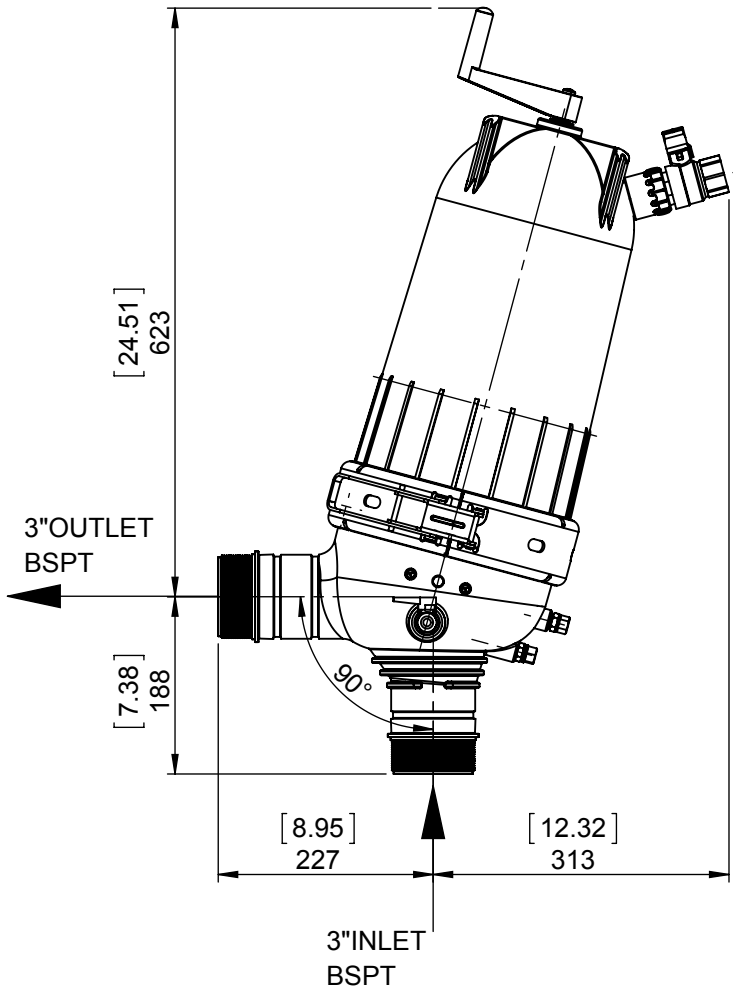


REV.	DATE	DESCRIPTION	ECO NO.	NAME
------	------	-------------	---------	------



UNLESS OTHERWISE SPECIFIED: DIMENSIONS ARE IN MILLIMETERS		PART NAME/TITLE: 3" ANGLE SCANAWAY BSPT PP BLACK MOLDED SCREEN 130MIC VALVE BRASS EPDM		
	NAME	DATE	SUBJECT/PROJECT: ERROR!:Project	
DRAWN	Arkadi	02.01.2018		
APPROVED	Marina.K	03.01.2018		
Confidential property information. Amiad Water Systems Ltd. reserves the rights to make changes. All copy rights reserved to Amiad Water Systems Ltd.		MATERIAL: VARIOUS		CAT. NO.: 032000-000011
		WEIGHT:		DRW. NO.: 032000-000011-GA
				REV.: A
File Location: T:\MASTERS – SOLID\FILTERS COMPLETE\3 INCH FILTERS\			SCALE: 1:10	SIZE: A4
			SHEET 1 OF 1	