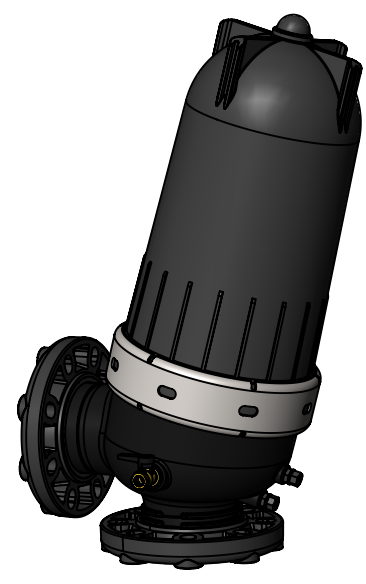
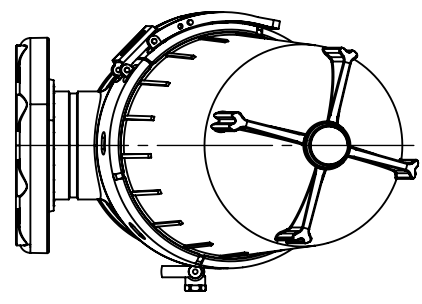
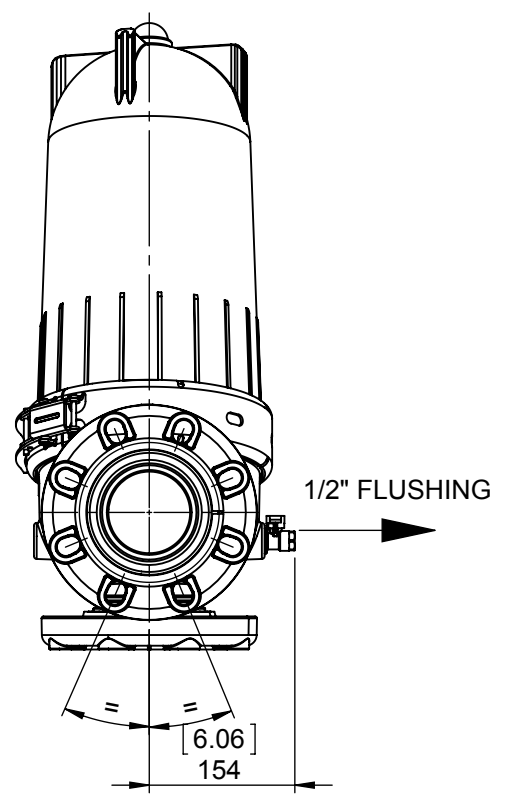
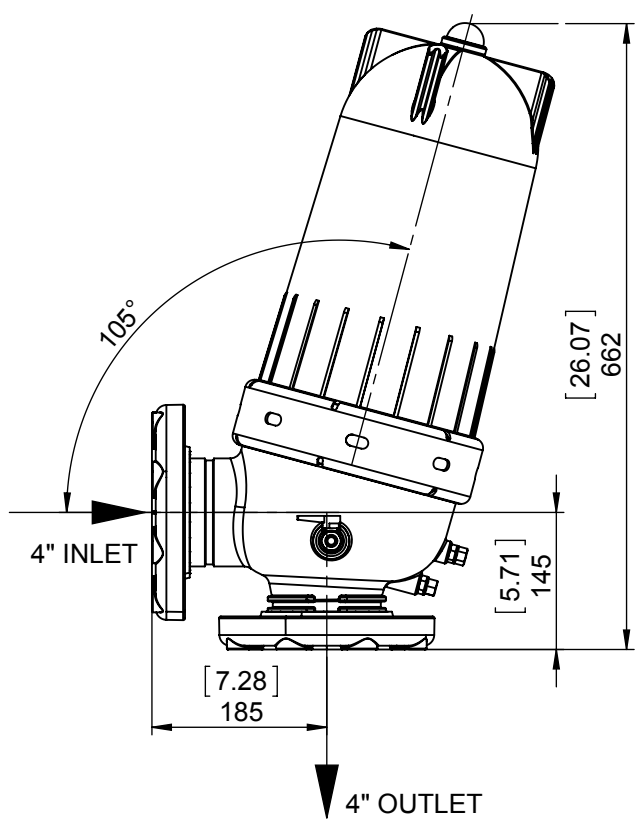






REV.	DATE	DESCRIPTION	ECO NO.	NAME
------	------	-------------	---------	------



UNLESS OTHERWISE SPECIFIED: DIMENSIONS ARE IN MILLIMETERS		PART NAME/TITLE: 4" ANGLE UNIVERSAL FLANGE PP BLACK DISC PP 130MIC 1/2"VALVE		
DRAWN Arkadi 04.10.2017		SUBJECT/PROJECT: ERROR!:Project		
APPROVED Marina.K 04.10.2017		MATERIAL: VARIOUS		CAT. NO.: 015001-000020
Confidential property information. Amiad Water Systems Ltd. reserves the rights to make changes. All copy rights reserved to Amiad Water Systems Ltd.		WEIGHT: N/A		DRW. NO.: 015001-000020-GA
		   		REV.: A
File Location: T:\MASTERS – SOLID\FILTERS COMPLETE\4 INCH FILTERS\SUPER ANGLE FILTER\		SCALE: 1:8		SIZE: A4
		SHEET 1 OF 1		File Name:015001-000020-EXP