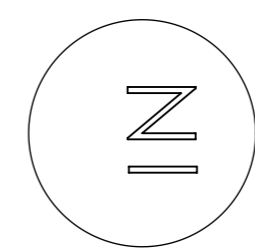
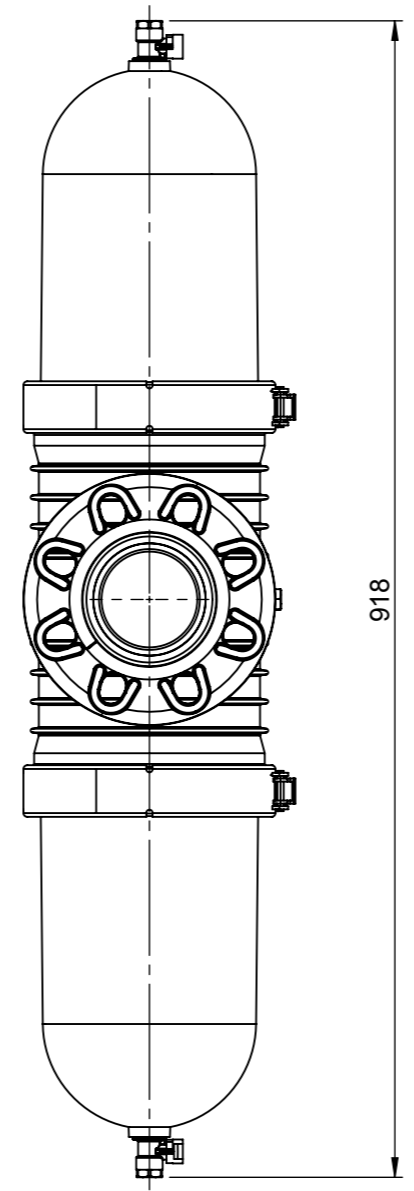
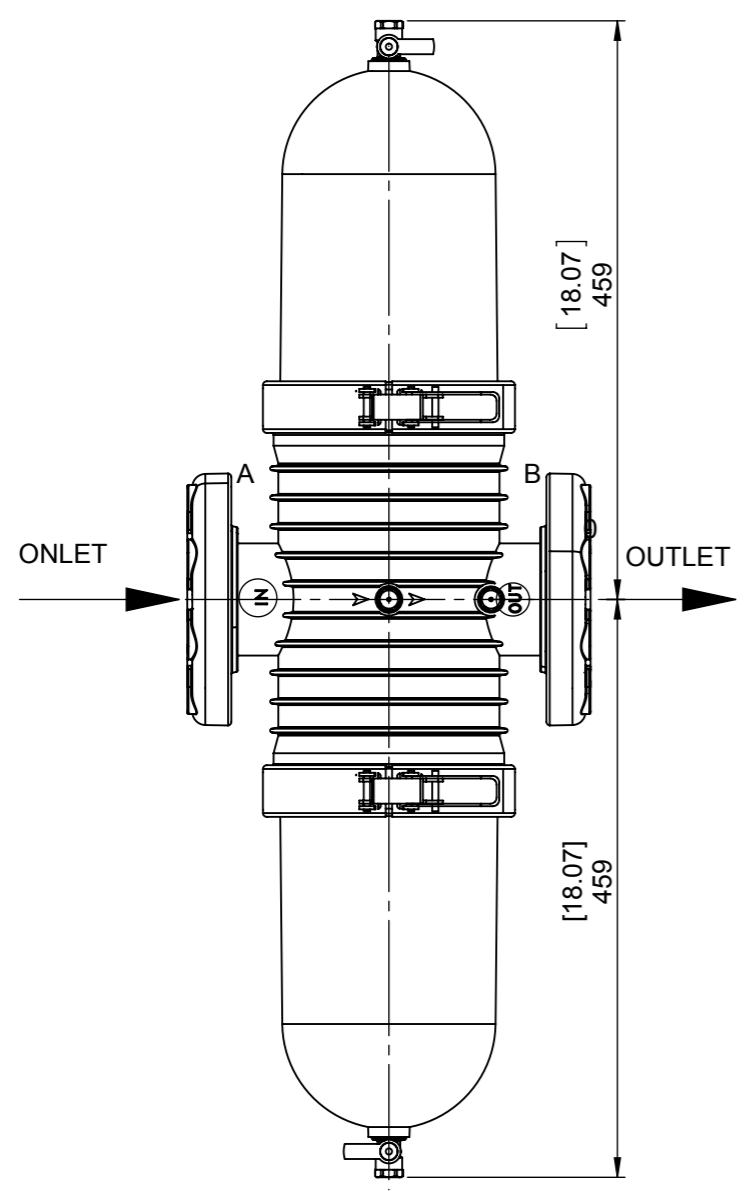
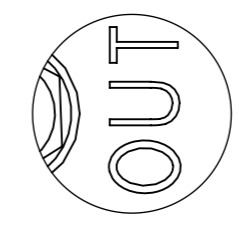


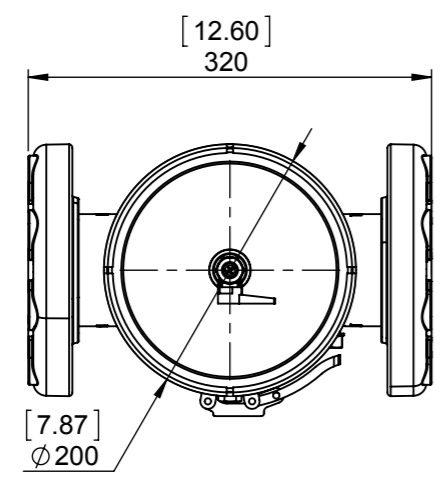
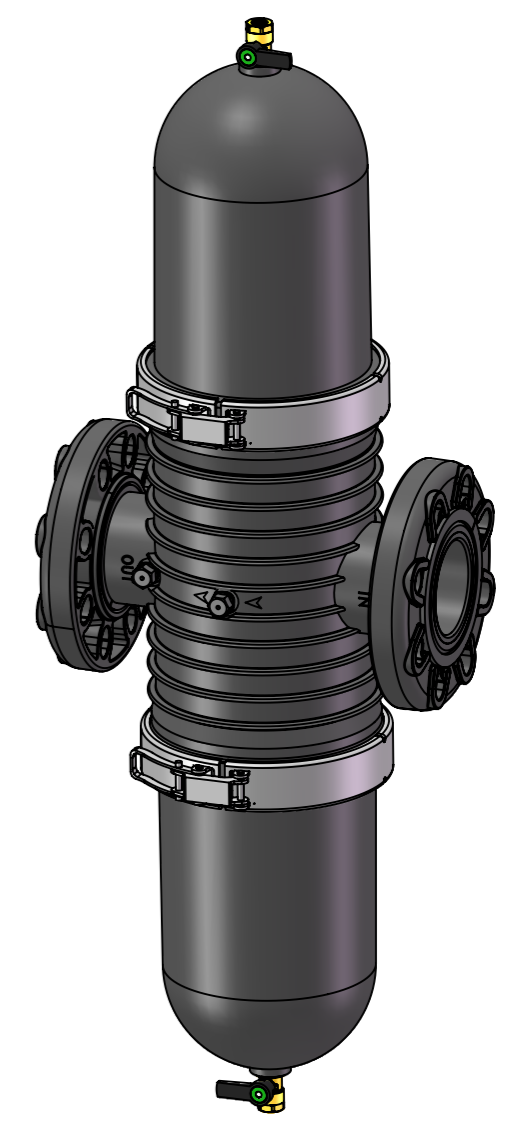
REV.	DATE	DESCRIPTION	ECO NO.	NAME			
------	------	-------------	---------	------	--	--	--



DETAIL A
SCALE 1:1



DETAIL B
SCALE 1:1



UNLESS OTHERWISE SPECIFIED: DIMENSIONS ARE IN MILLIMETERS			PART NAME/TITLE: 3" TWIN UNIVERSAL FLANGE RPA BLACK SISC PP 130MIC 1/2" VALVE		
	NAME	DATE	SUBJECT/PROJECT:		
	Arkadi	01.08.2017	ERROR!:Project		
	APPROVED	Marina.k	MATERIAL:	CAT. NO:	DRW. REV.:
Confidential property information. Amiad Water Systems Ltd. Reserves the rights to make changes. All copy rights reserved to Amiad Water Systems Ltd.			VARIOUS	014002-000150	A
			WEIGHT: N/A	DRW. NO:	
			014002-000150-EXP		
			SCALE: 1:10	SIZE: A3	SHEET 1 OF 1