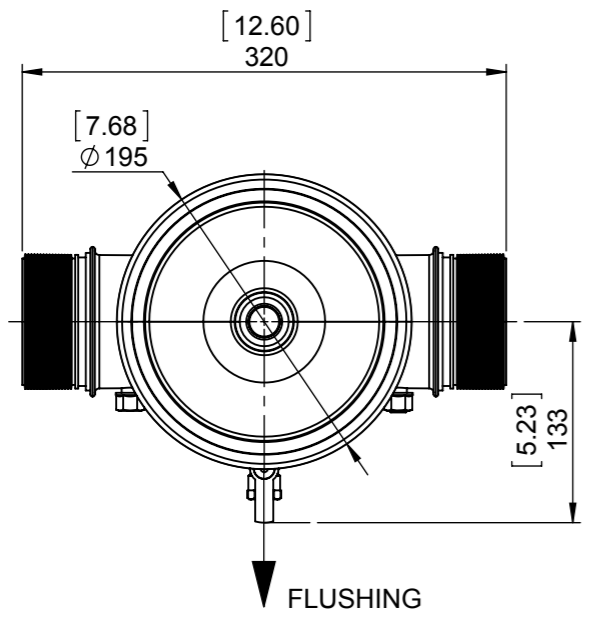
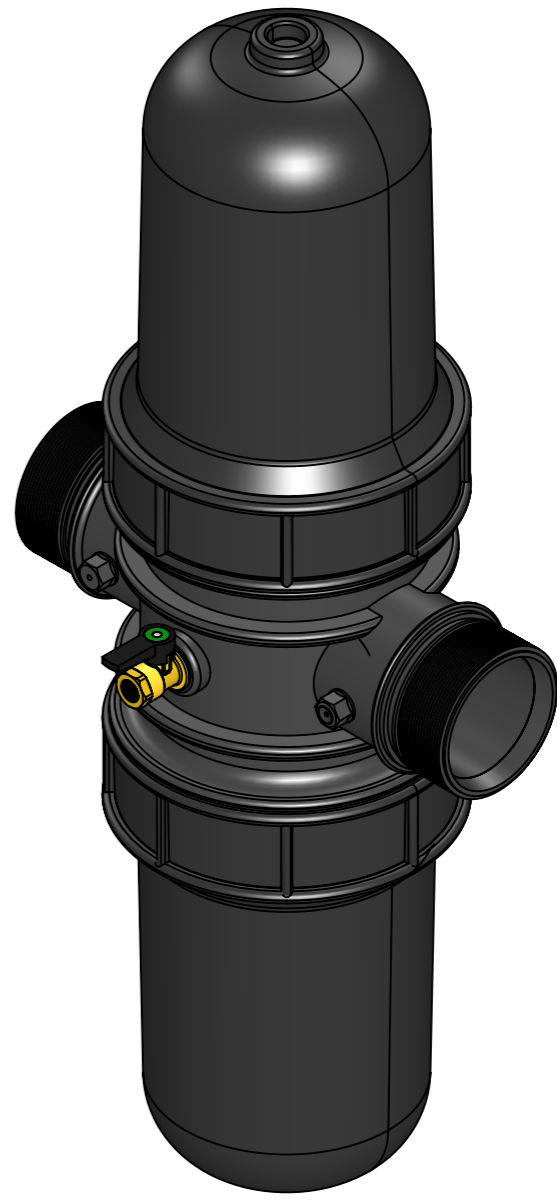
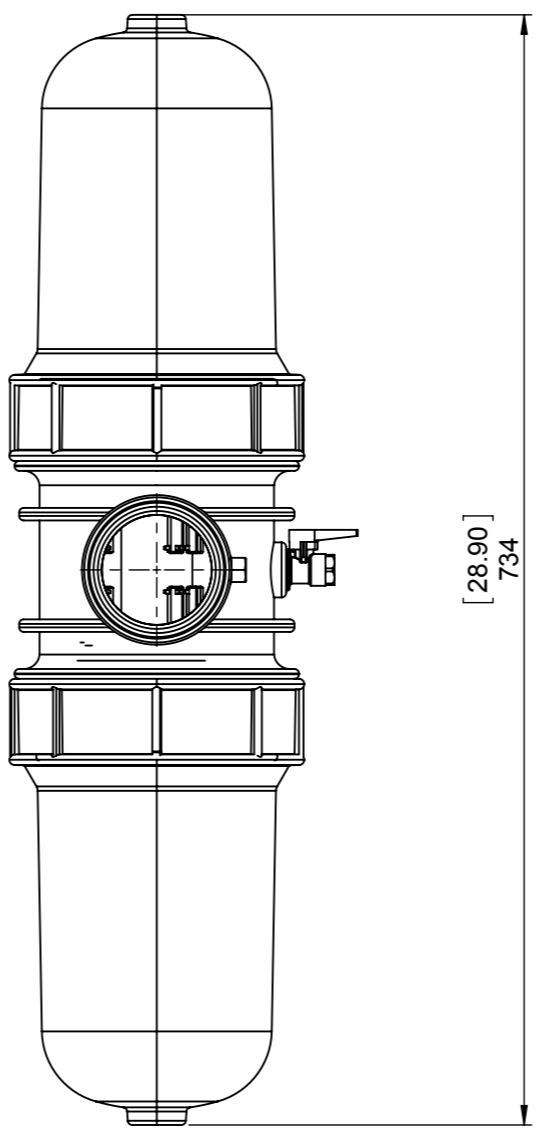
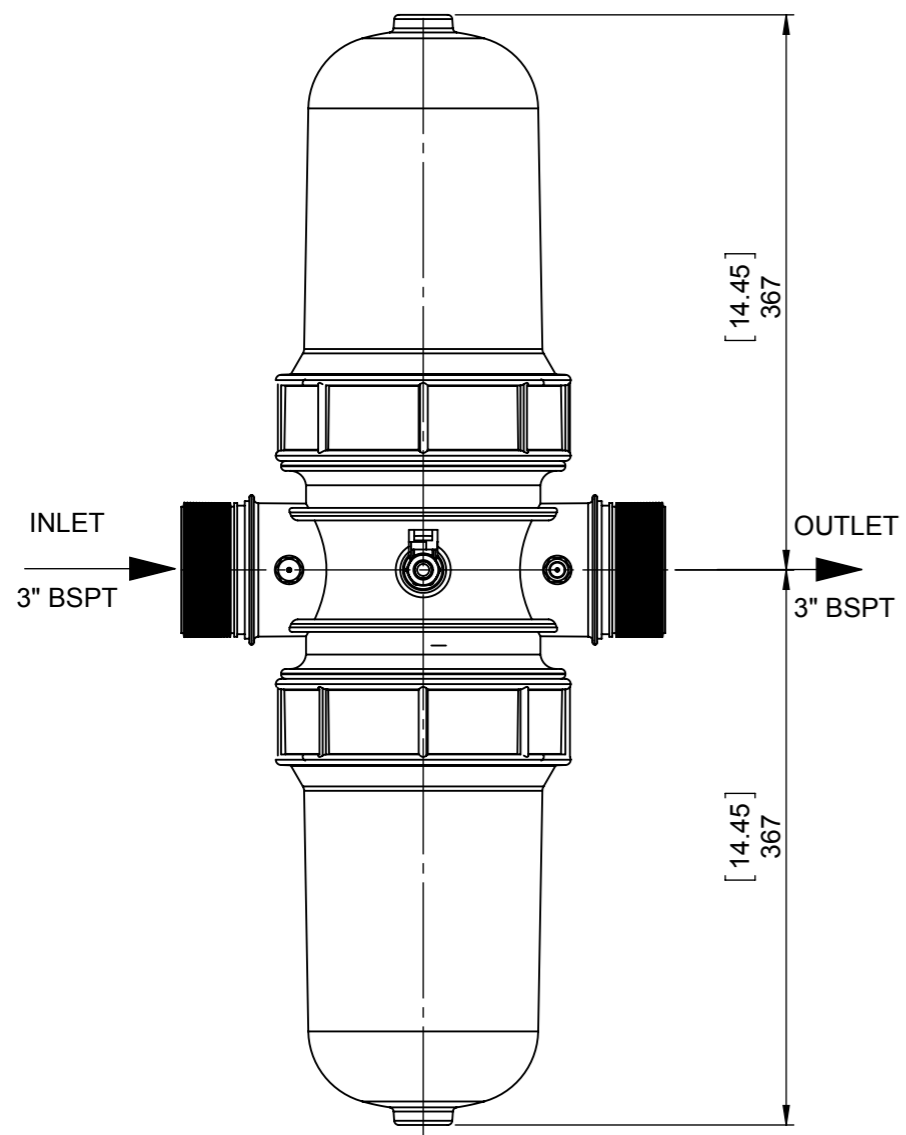


REV.	DATE	DESCRIPTION	ECO NO.	NAME
------	------	-------------	---------	------



UNLESS OTHERWISE SPECIFIED: DIMENSIONS ARE IN MILLIMETERS			PART NAME/TITLE: 3" Leader BSPT PP Black Disk PP											
<table border="1" style="width:100%; border-collapse: collapse;"> <thead> <tr> <th style="width:10%;"></th> <th style="width:40%;">NAME</th> <th style="width:50%;">DATE</th> </tr> </thead> <tbody> <tr> <td style="text-align:center;">DRAWN</td> <td>Arkadi</td> <td>16.07.2017</td> </tr> <tr> <td style="text-align:center;">APPROVED</td> <td>Marina.K</td> <td>16.07.2017</td> </tr> </tbody> </table>				NAME	DATE	DRAWN	Arkadi	16.07.2017	APPROVED	Marina.K	16.07.2017	SUBJECT/PROJECT: 3"Leader Filter		
	NAME	DATE												
DRAWN	Arkadi	16.07.2017												
APPROVED	Marina.K	16.07.2017												
Confidential property information. Amiad Water Systems Ltd. Reserves the rights to make changes. All copy rights reserved to Amiad Water Systems Ltd.			MATERIAL: Various		CAT. NO: 014001-000046									
			WEIGHT: 7 KG		DRW. REV.: A									
			DRW. NO: 014001-000046-GA											
			SCALE: 1:10	SIZE: A3	SHEET 1 OF 1									