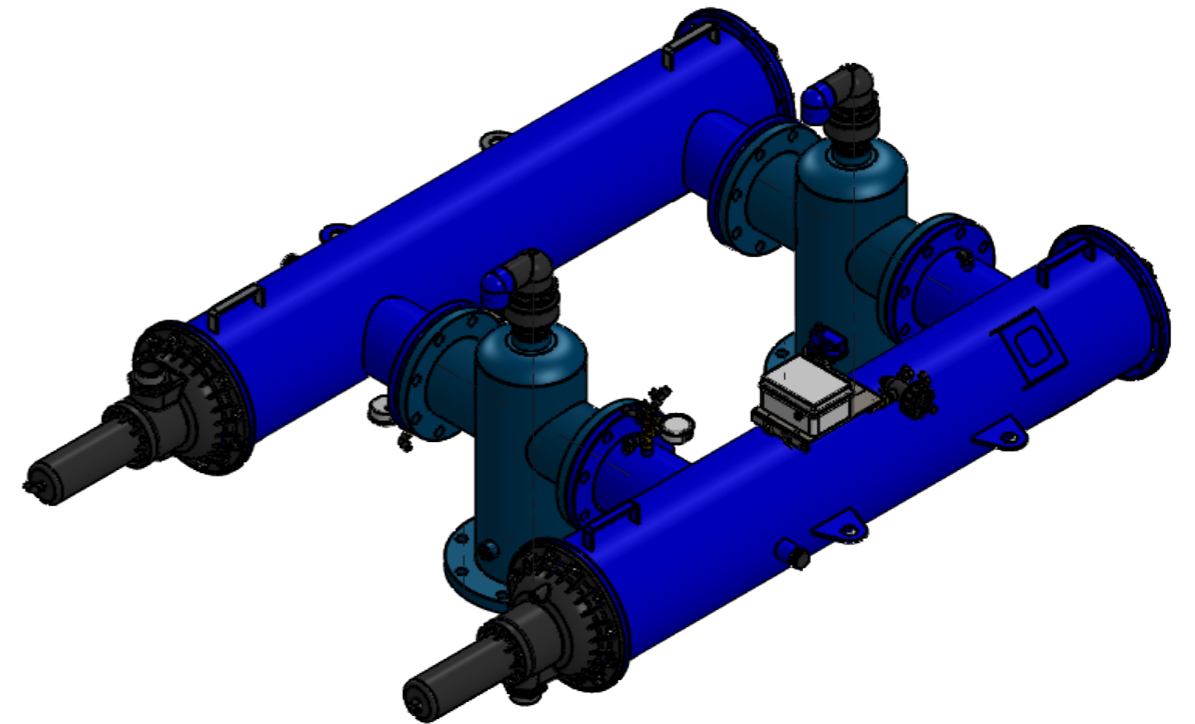
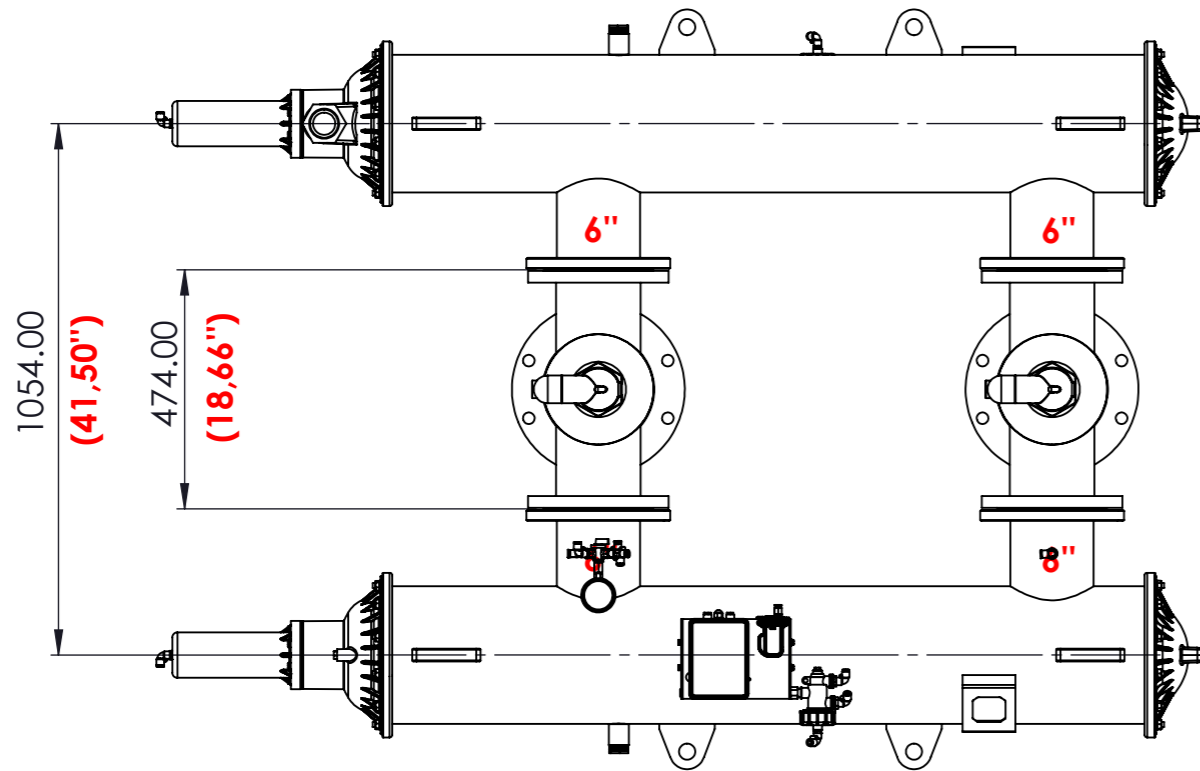
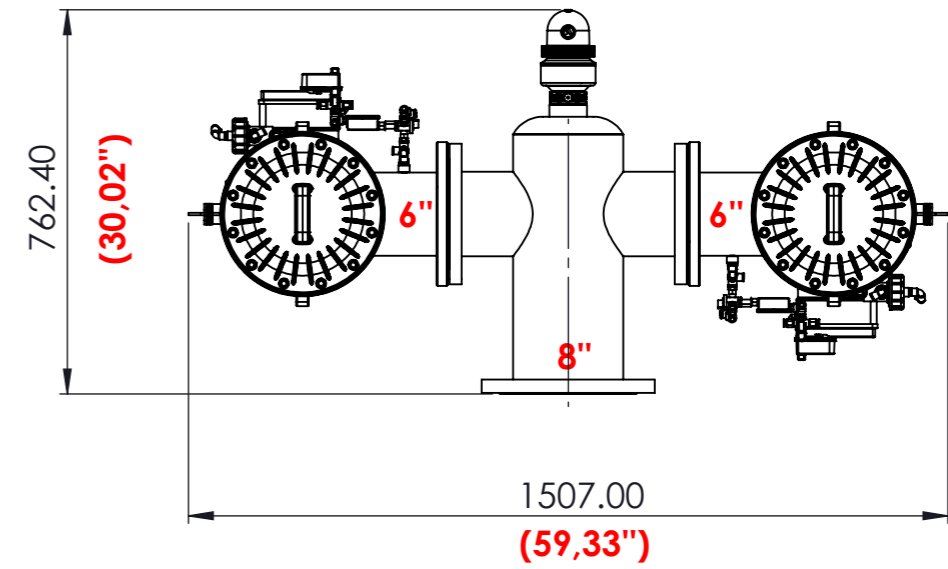
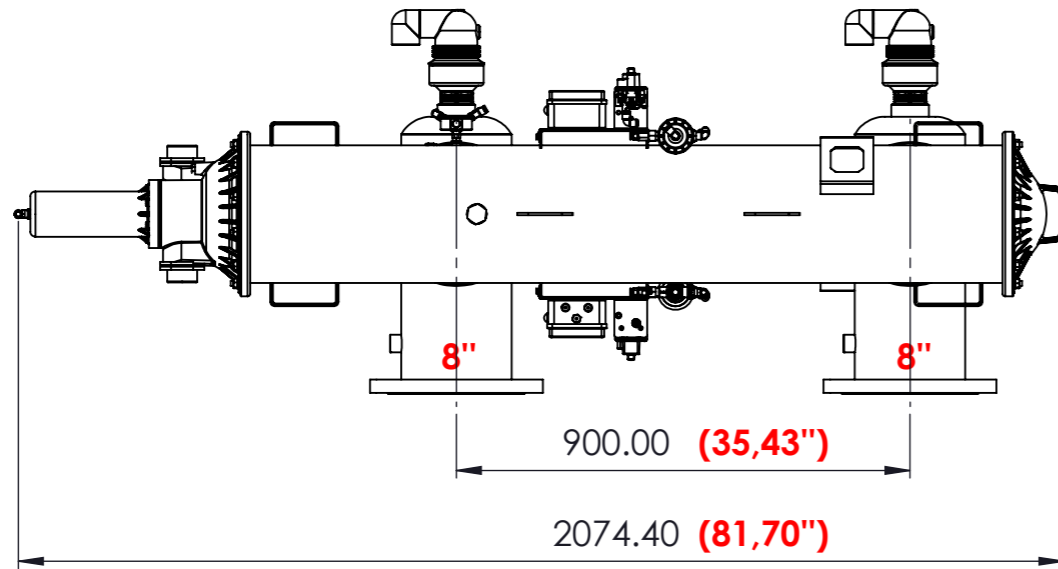


# FILTRATION SYSTEM

## 2 X 6" AUTOMATIC SG X 8" ANSI INLET/OUTLET



\*Filter Inlet / Outlet : 6"ANSI Flanged

\*TEE Connector : 6"x8"x6" ANSI Flanged

	Country:	Main Title:	Design:	Date:
	GLOBAL	FILTRATION SYSTEM	KEREM	09/03/2023
	Page:	Subject:	Drawer:	Scale:
1	2 X 6" AUTOMATIC SG X 8" ANSI INLET/OUTLET	KEREM	1:20	A3