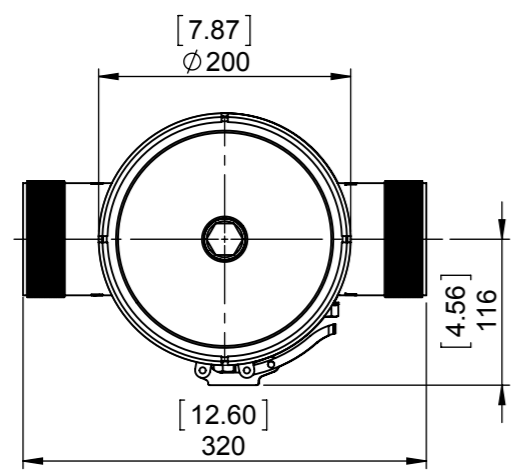
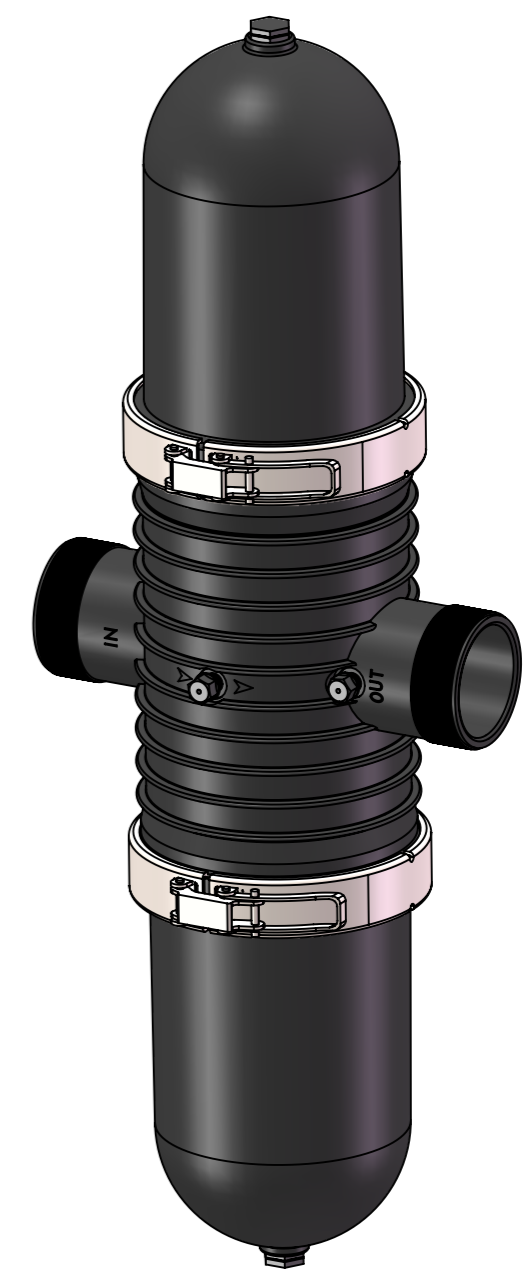
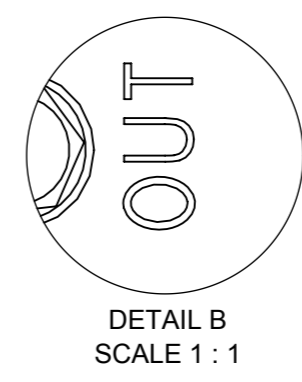
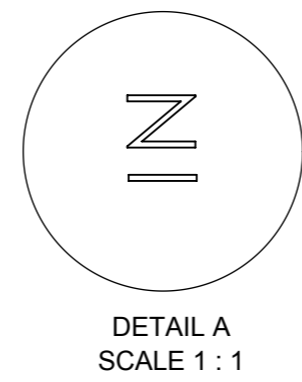
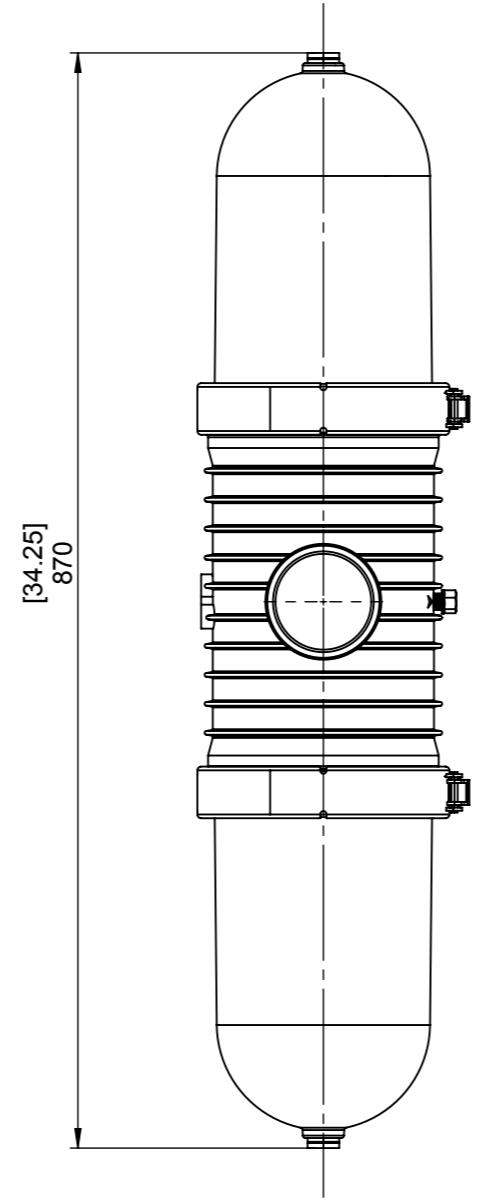
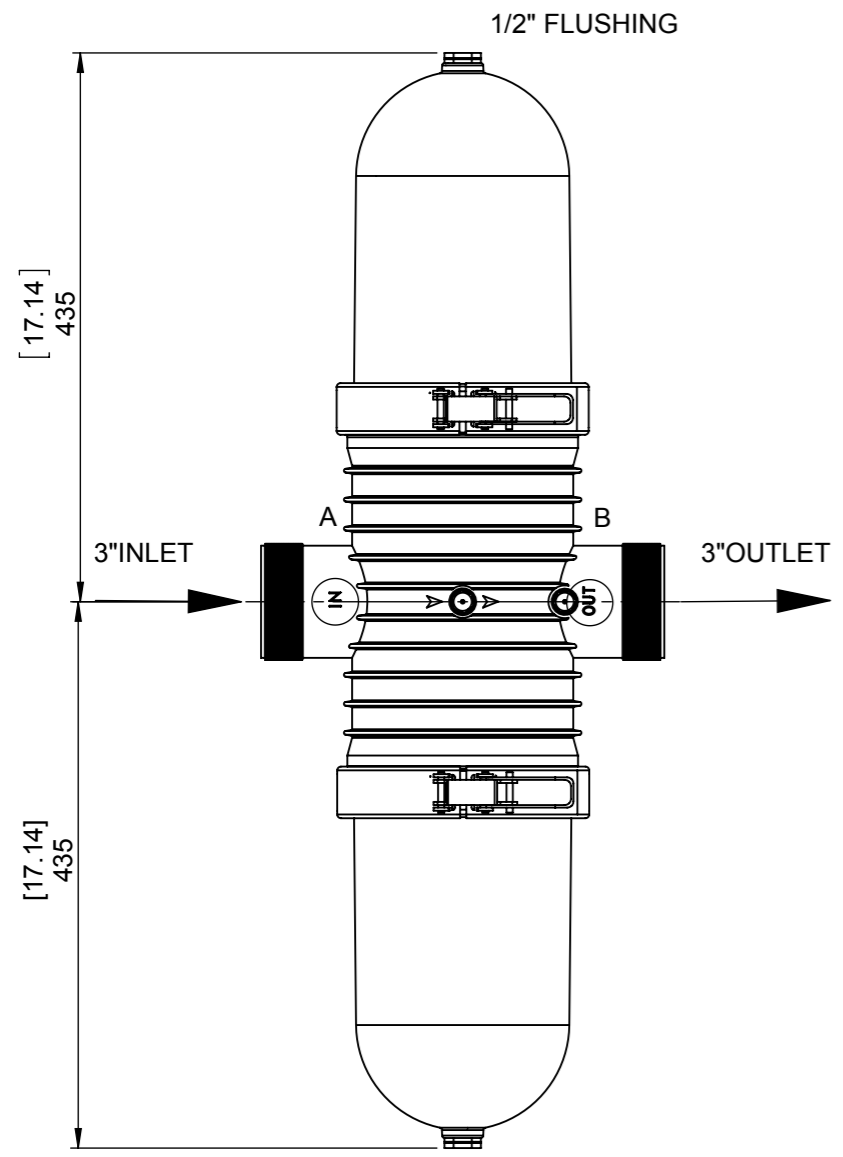


REV.	DATE	DESCRIPTION	ECO NO.	NAME
------	------	-------------	---------	------



UNLESS OTHERWISE SPECIFIED: DIMENSIONS ARE IN MILLIMETERS			PART NAME/TITLE: 3" TWIN BSPT RPA BLACK DISC 130MIC 1/2" PLUG		
	NAME	DATE	SUBJECT/PROJECT: 3" TWIN THREAD FILTER		
	DRAWN	Arkadi	02.08..2017		
	APPROVED	Marina.K	02.08.2017	MATERIAL: VARIOUS	CAT. NO: 014002-000068
Confidential property information. Amiad Water Systems Ltd. Reserves the rights to make changes. All copy rights reserved to Amiad Water Systems Ltd.			WEIGHT: N/A		DRW. REV.: A
					DRW. NO: 014002-000068-GA
					SCALE: 1:10
					SIZE: A3
					SHEET 1 OF 1