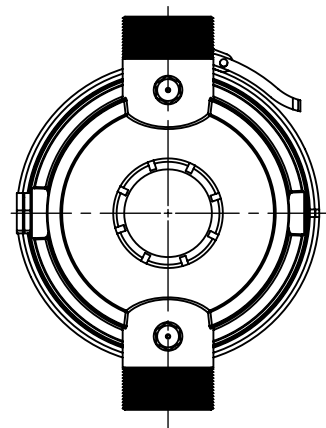
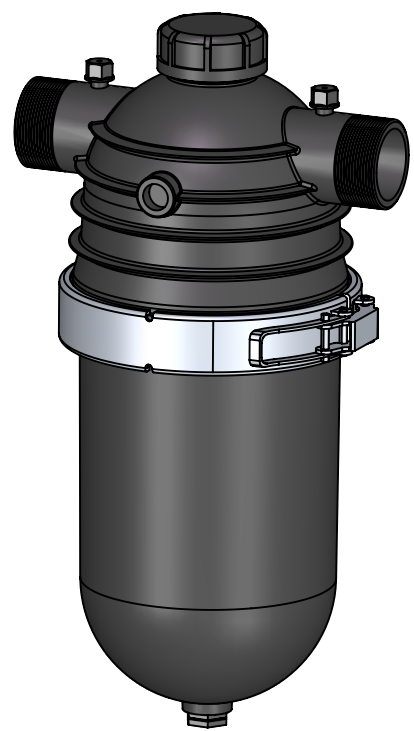
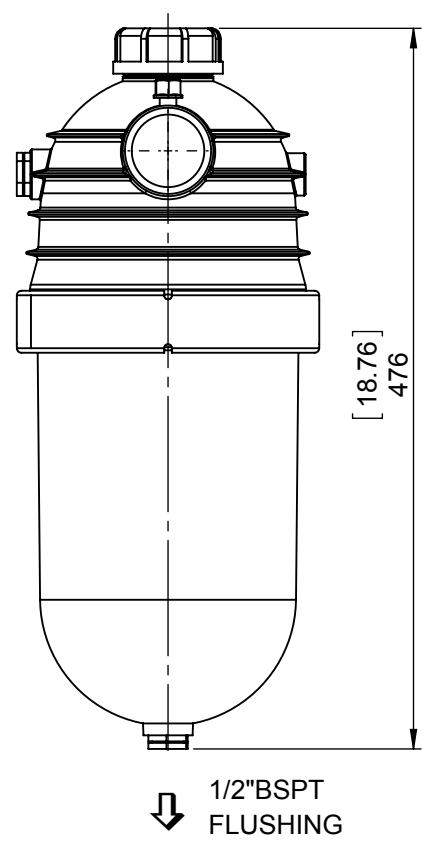
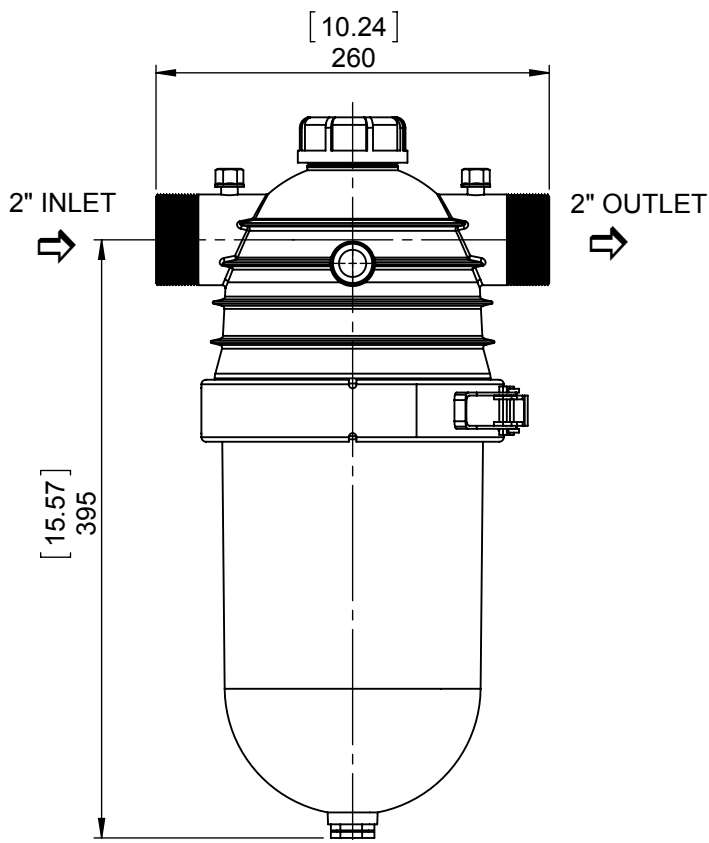


REV.	DATE	DESCRIPTION	ECO NO.	NAME
------	------	-------------	---------	------



UNLESS OTHERWISE SPECIFIED: DIMENSIONS ARE IN MILLIMETERS		PART NAME/TITLE: 2" DUAL BSPT RPA BLACK DISC 130M 1/2' PLUG		
	NAME	DATE	SUBJECT/PROJECT: 2, DUAL FILTER	
DRAWN	Arkadi	14.06.2017		
APPROVED	Marina.K	14.06.2017		
Confidential property information. Amiad Water Systems Ltd. reserves the rights to make changes. All copy rights reserved to Amiad Water Systems Ltd.		MATERIAL: VARIOUS		CAT. NO.: 013002-000143
		WEIGHT: N/A		DRW. NO.: 013002-000143-GA
				REV.: A
				SCALE: 1:5 SIZE: A4 SHEET 1 OF 1
File Location: T:\MASTERS – SOLID\FILTERS COMPLETE\2 INCH FILTERS\2" LEADER\			File Name:013002-000143 EXP	