
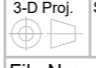
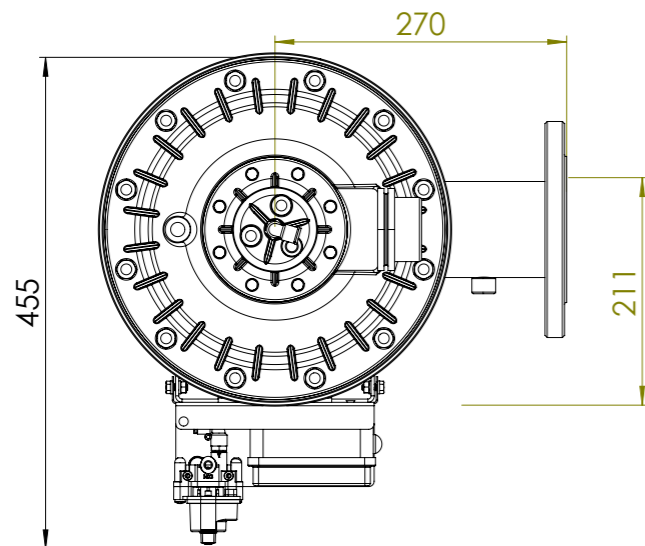
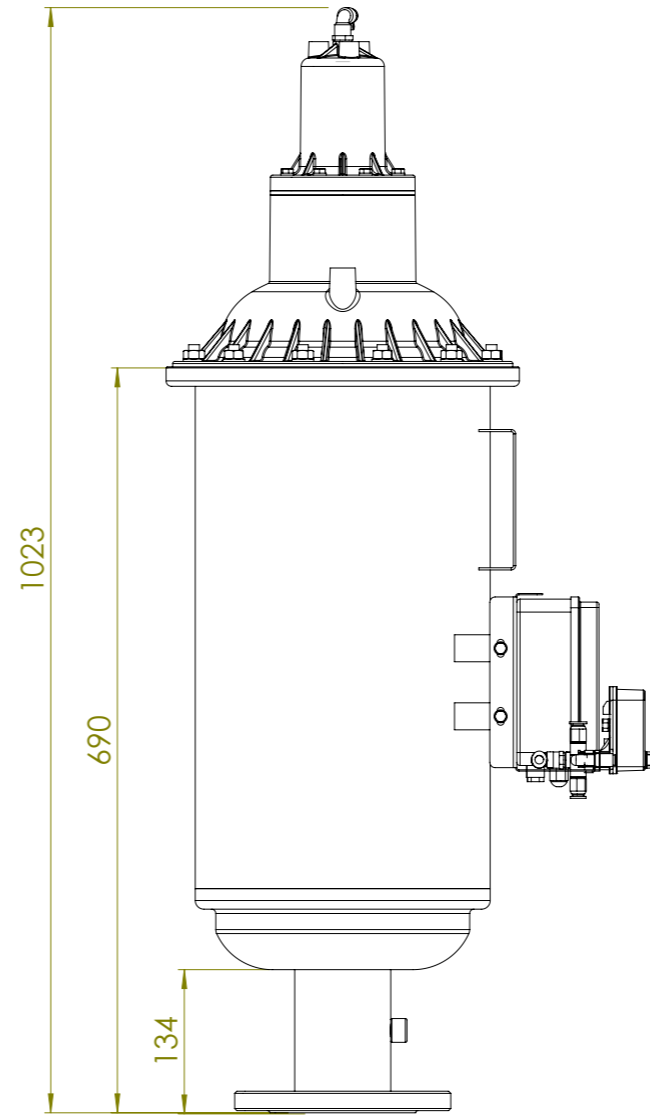
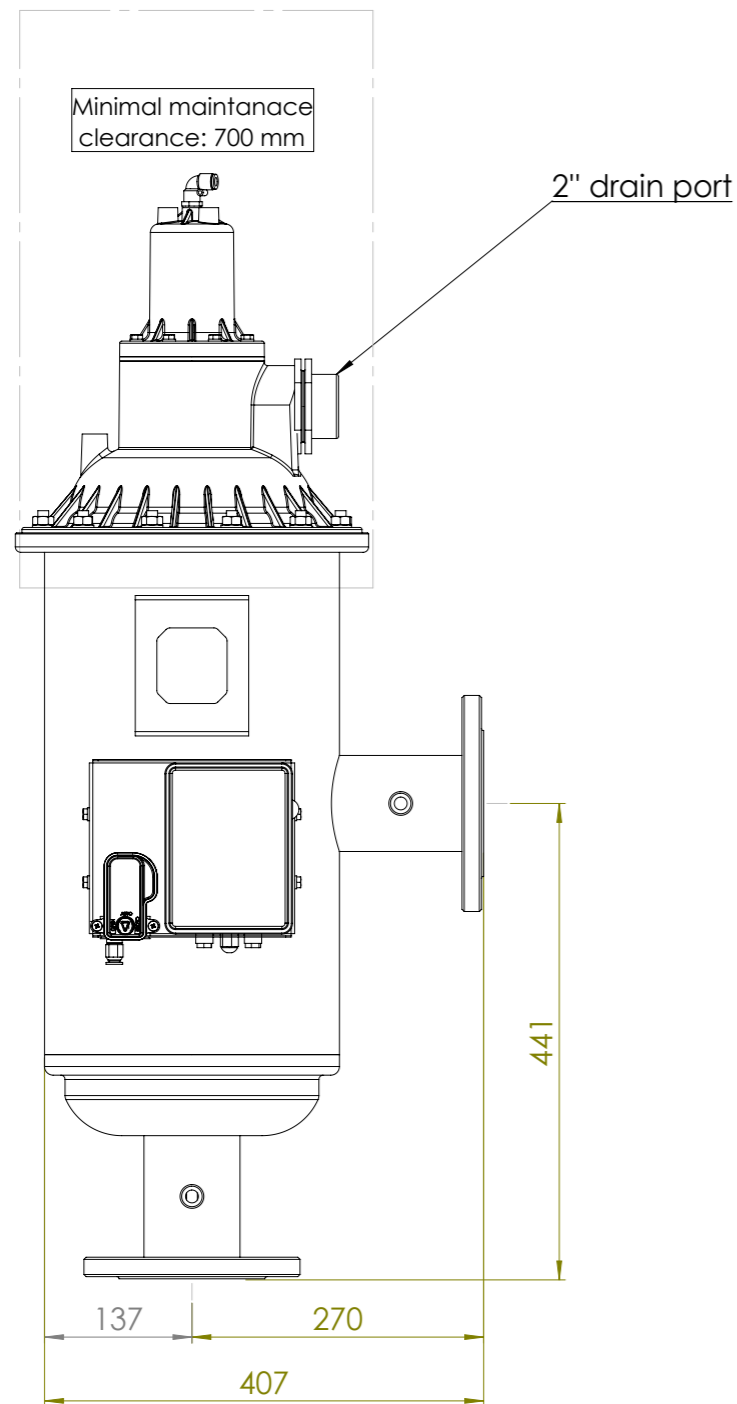


Material: ST37 / PA30		Project: Screen Guard		 PROPRIETARY AND CONFIDENTIAL THE INFORMATION CONTAINED IN THIS DRAWING IS THE SOLE PROPERTY OF NETAFIM. ANY REPRODUCTION IN PART OR AS A WHOLE WITHOUT THE WRITTEN PERMISSION OF NETAFIM IS PROHIBITED.																																																				
Finish:		Subject: Automatic Screen filter																																																						
Drawing No. N126887/1		Part Name: SGV 3S																																																						
Part No. A-29304-100518	Quantity: 1	General Tolerance According to ISO 2768-f		Designed By a21434																																																				
3-D Proj. 		<table border="1"> <thead> <tr> <th colspan="8">LINEAR DIMENSIONS</th> <th colspan="5">ANGULAR DIMENSIONS</th> </tr> <tr> <th colspan="8">Permissible deviations in mm for ranges in nominal lengths</th> <th colspan="5">Permissible deviations in degrees and minutes for ranges in nominal lengths</th> </tr> </thead> <tbody> <tr> <td>≥ 0.5</td> <td>> 3</td> <td>> 6</td> <td>> 30</td> <td>> 120</td> <td>> 400</td> <td>> 1000</td> <td>> 2000</td> <td>≤ 10°</td> <td>> 10°</td> <td>> 50°</td> <td>> 120°</td> <td>> 400°</td> </tr> <tr> <td>± 0.05</td> <td>± 0.05</td> <td>± 0.1</td> <td>± 0.15</td> <td>± 0.2</td> <td>± 0.3</td> <td>± 0.5</td> <td>-</td> <td>± 1°</td> <td>± 0°30'</td> <td>± 0°20'</td> <td>± 0°10'</td> <td>± 0°5'</td> </tr> </tbody> </table>		LINEAR DIMENSIONS								ANGULAR DIMENSIONS					Permissible deviations in mm for ranges in nominal lengths								Permissible deviations in degrees and minutes for ranges in nominal lengths					≥ 0.5	> 3	> 6	> 30	> 120	> 400	> 1000	> 2000	≤ 10°	> 10°	> 50°	> 120°	> 400°	± 0.05	± 0.05	± 0.1	± 0.15	± 0.2	± 0.3	± 0.5	-	± 1°	± 0°30'	± 0°20'	± 0°10'	± 0°5'	Drawn By a21434
LINEAR DIMENSIONS								ANGULAR DIMENSIONS																																																
Permissible deviations in mm for ranges in nominal lengths								Permissible deviations in degrees and minutes for ranges in nominal lengths																																																
≥ 0.5	> 3	> 6	> 30	> 120	> 400	> 1000	> 2000	≤ 10°	> 10°	> 50°	> 120°	> 400°																																												
± 0.05	± 0.05	± 0.1	± 0.15	± 0.2	± 0.3	± 0.5	-	± 1°	± 0°30'	± 0°20'	± 0°10'	± 0°5'																																												
Sheet Size: A3	Scale: 1:10	<table border="1"> <thead> <tr> <th colspan="8">LINEAR DIMENSIONS</th> <th colspan="5">ANGULAR DIMENSIONS</th> </tr> <tr> <th colspan="8">Permissible deviations in mm for ranges in nominal lengths</th> <th colspan="5">Permissible deviations in degrees and minutes for ranges in nominal lengths</th> </tr> </thead> <tbody> <tr> <td>≥ 0.5</td> <td>> 3</td> <td>> 6</td> <td>> 30</td> <td>> 120</td> <td>> 400</td> <td>> 1000</td> <td>> 2000</td> <td>≤ 10°</td> <td>> 10°</td> <td>> 50°</td> <td>> 120°</td> <td>> 400°</td> </tr> <tr> <td>± 0.05</td> <td>± 0.05</td> <td>± 0.1</td> <td>± 0.15</td> <td>± 0.2</td> <td>± 0.3</td> <td>± 0.5</td> <td>-</td> <td>± 1°</td> <td>± 0°30'</td> <td>± 0°20'</td> <td>± 0°10'</td> <td>± 0°5'</td> </tr> </tbody> </table>		LINEAR DIMENSIONS								ANGULAR DIMENSIONS					Permissible deviations in mm for ranges in nominal lengths								Permissible deviations in degrees and minutes for ranges in nominal lengths					≥ 0.5	> 3	> 6	> 30	> 120	> 400	> 1000	> 2000	≤ 10°	> 10°	> 50°	> 120°	> 400°	± 0.05	± 0.05	± 0.1	± 0.15	± 0.2	± 0.3	± 0.5	-	± 1°	± 0°30'	± 0°20'	± 0°10'	± 0°5'	Checked By QA
LINEAR DIMENSIONS								ANGULAR DIMENSIONS																																																
Permissible deviations in mm for ranges in nominal lengths								Permissible deviations in degrees and minutes for ranges in nominal lengths																																																
≥ 0.5	> 3	> 6	> 30	> 120	> 400	> 1000	> 2000	≤ 10°	> 10°	> 50°	> 120°	> 400°																																												
± 0.05	± 0.05	± 0.1	± 0.15	± 0.2	± 0.3	± 0.5	-	± 1°	± 0°30'	± 0°20'	± 0°10'	± 0°5'																																												
File Name: SGV3S Installation dimensions.sldrw				Sheet: 1																																																				
				Of: 3																																																				
				Rev: -																																																				

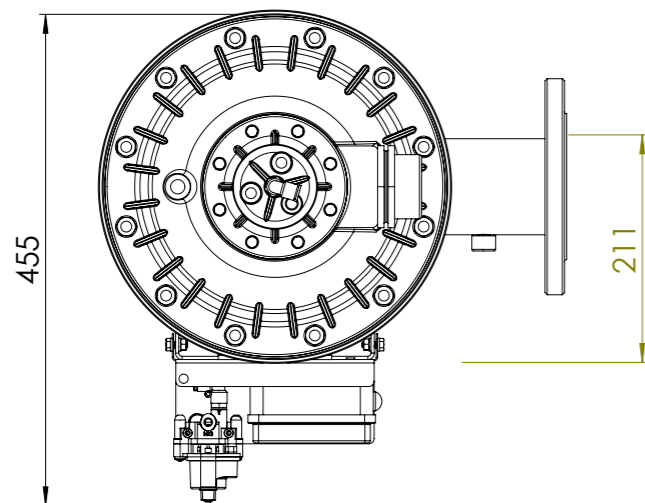
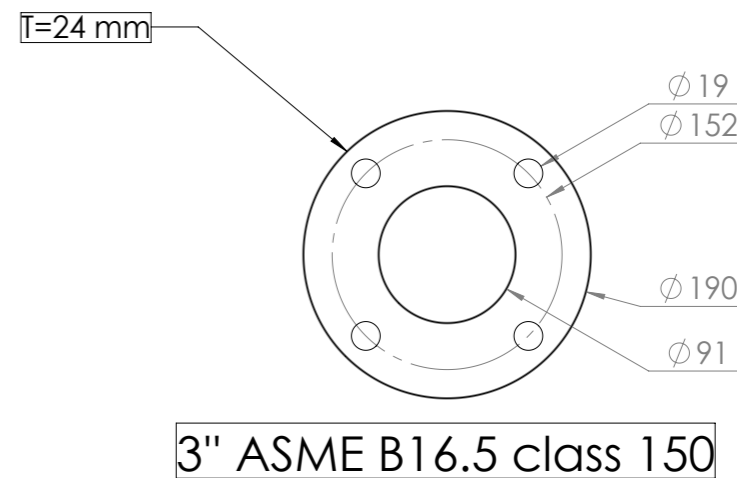
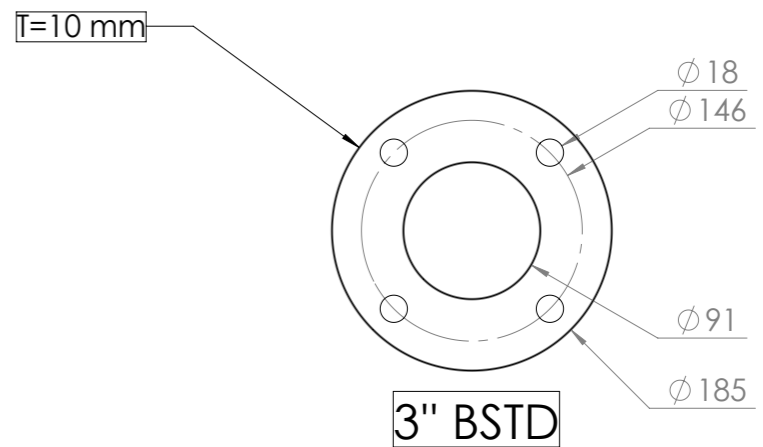
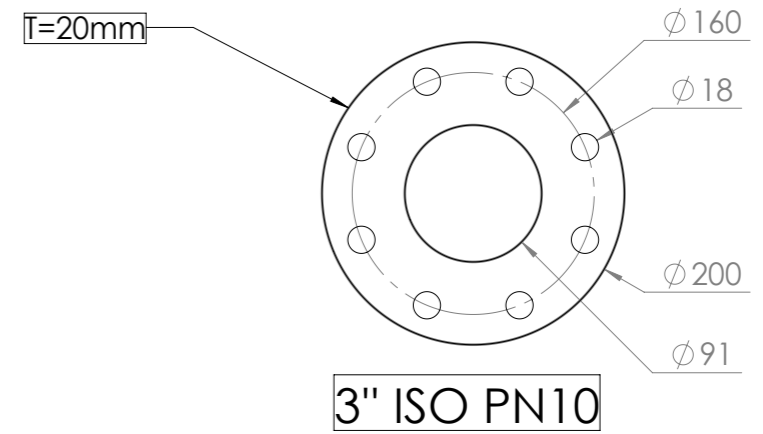
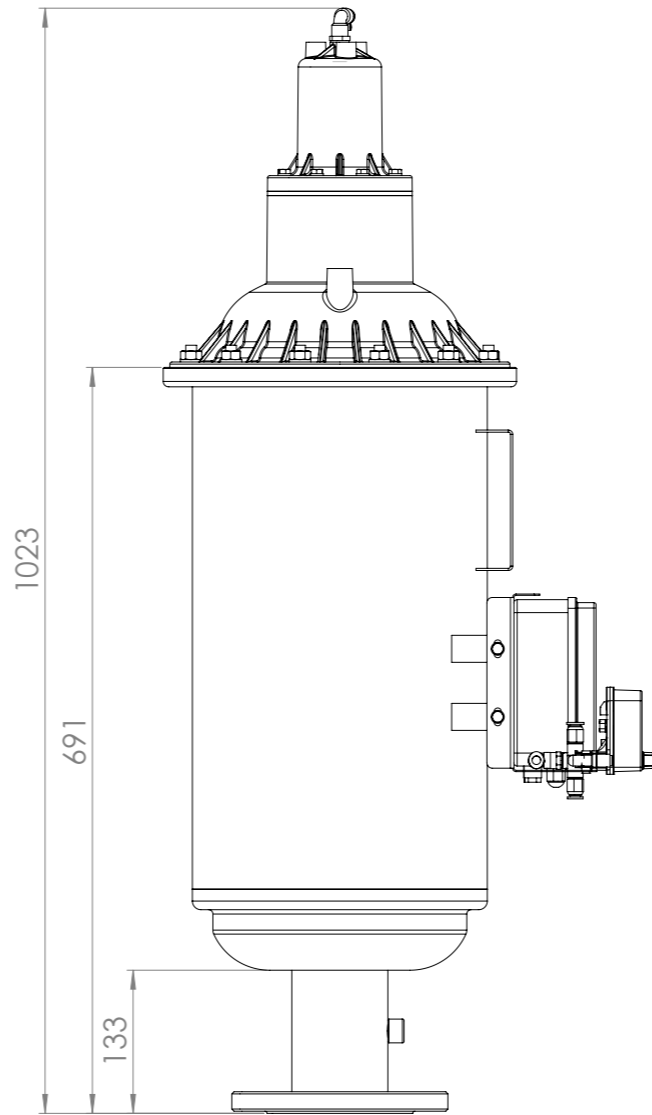
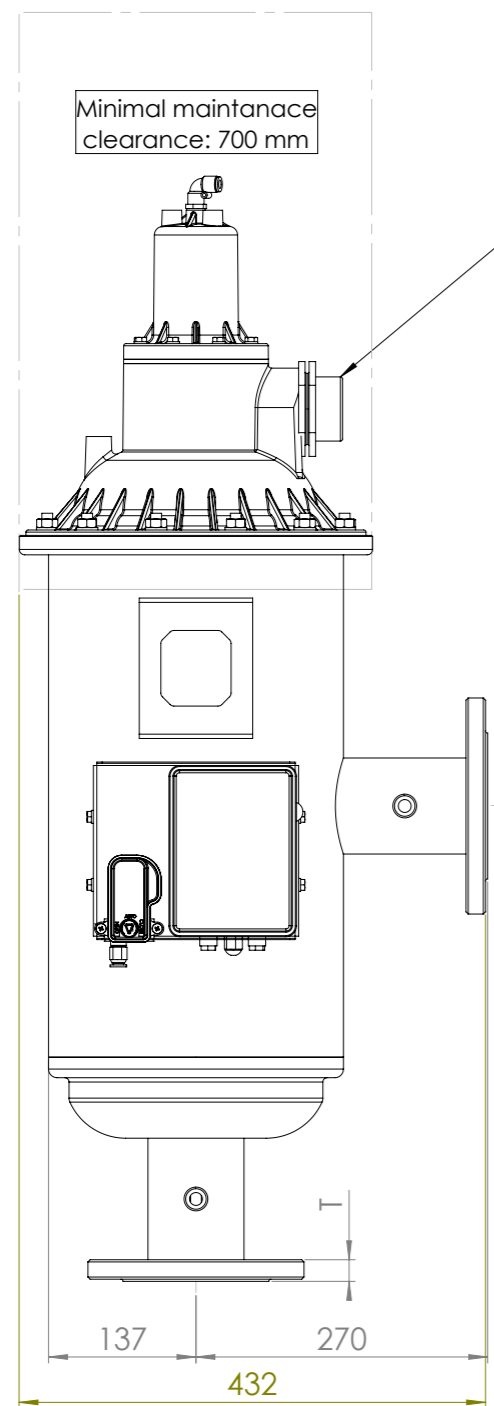


REV.	DESCRIPTION	DATE	APPROVED
Material:	ST37 / PA30	Project:	Screen Guard
Finish:		Subject:	Automatic Screen Filter
Drawing No.	N126887/1	Part Name:	SGV 3S BSPT/ NPT
Part No.	A-29304-100518	Quantity:	1
3-D Proj.	Sheet Size:	Scale:	General Tolerance According to ISO 2768-f
	A3	1:10	
Permissible deviations in mm for ranges in nominal lengths		ANGULAR DIMENSIONS Permissible deviations in degrees and minutes for ranges in nominal lengths	
≥ 0.5	> 3	> 6	> 30
> 120	> 400	> 1000	> 2000
≤ 3	≤ 6	≤ 30	≤ 120
≤ 400	≤ 1000	≤ 2000	≤ 4000
+0.05	+0.05	+0.1	+0.15
+0.2	+0.3	+0.5	-
±1°	±0°30'	±0°20'	±0°10'
±0°5'			
Designed By	a21434	10 May 2018	
Drawn By	a21434	16 May 2018	
Checked By			
QA			
Sheet:	2	Of:	3
Rev.	-		



PROPRIETARY AND CONFIDENTIAL
THE INFORMATION CONTAINED IN THIS DRAWING IS THE SOLE PROPERTY OF NETAFIM. ANY REPRODUCTION IN PART OR AS A WHOLE WITHOUT THE WRITTEN PERMISSION OF NETAFIM IS PROHIBITED.

File Name: SGV3S Installation dimensions.sldrw



REV.	DESCRIPTION	DATE	APPROVED
Material:	ST37 / PA30	Project:	Screen Guard
Finish:		Subject:	Automatic Screen Filter
Drawing No.	N126887/1	Part Name:	SGV 3S DIN/BSTD/ASME
Part No.	A-29304-100518	Quantity:	1
General Tolerance According to ISO 2768-f		Permissible deviations in mm for ranges in nominal lengths LINEAR DIMENSIONS ≥ 0.5 > 3 > 6 > 30 > 120 > 400 > 1000 > 2000 ≤ 3 ≤ 6 ≤ 30 ≤ 120 ≤ 400 ≤ 1000 ≤ 2000 ≤ 4000 +0.05 ±0.05 ±0.1 ±0.15 ±0.2 ±0.3 ±0.5 - ANGULAR DIMENSIONS Permissible deviations in degrees and minutes for ranges in nominal lengths ≤ 10 > 10 > 50 > 120 > 400 ±1° ±0°30' ±0°20' ±0°10' ±0°5'	
3-D Proj.	Sheet Size: A3	Scale: 1:10	Designed By: a21434 10 May 2018 Drawn By: a21434 16 May 2018 Checked By: QA Sheet: 3 Of: 3 Rev: -
File Name: SGV3S Installation dimensions.slddrw			



PROPRIETARY AND CONFIDENTIAL
 THE INFORMATION CONTAINED IN THIS DRAWING IS THE SOLE PROPERTY OF NETAFIM. ANY REPRODUCTION IN PART OR AS A WHOLE WITHOUT THE WRITTEN PERMISSION OF NETAFIM IS PROHIBITED.