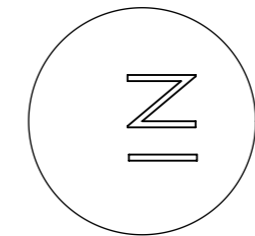
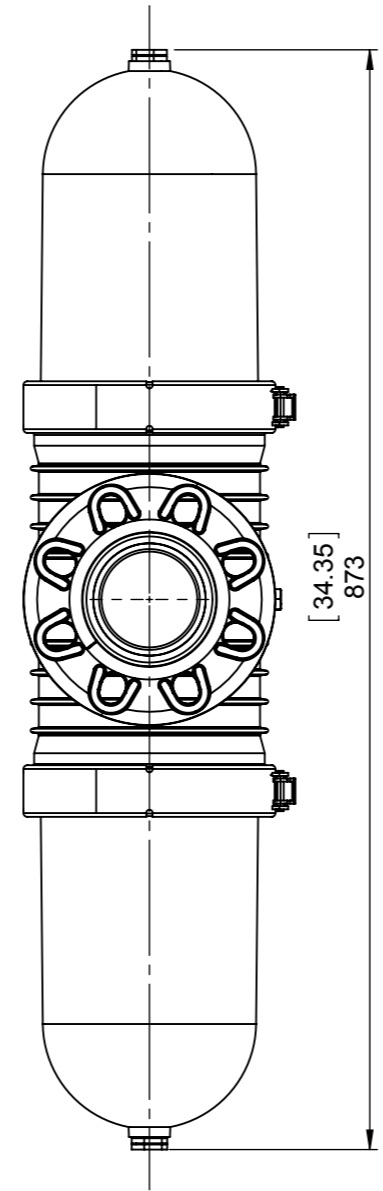
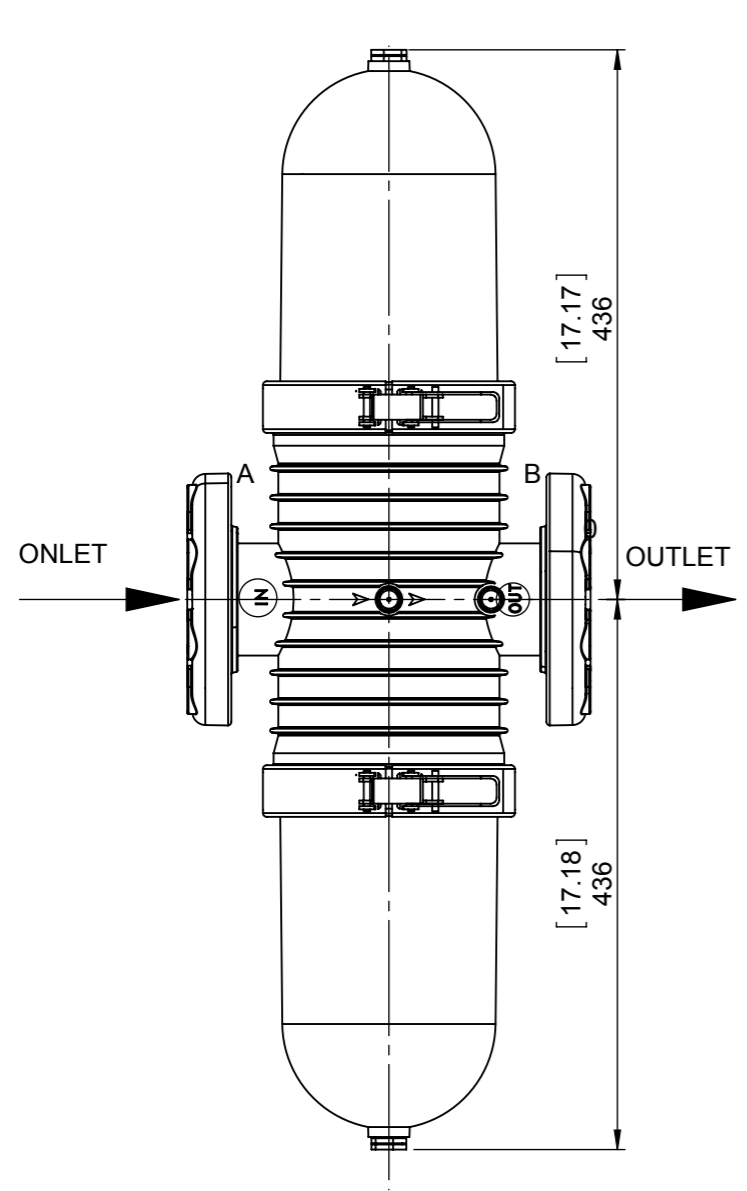
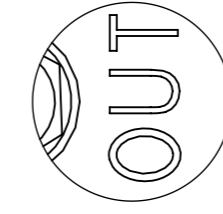


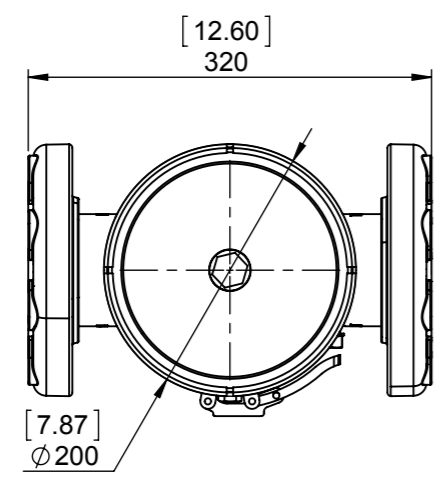
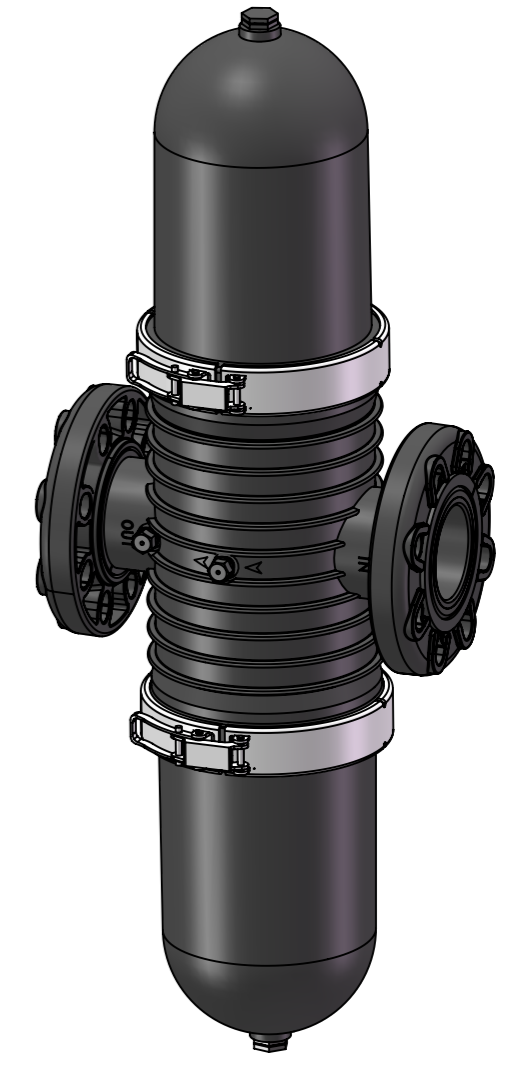
REV.	DATE	DESCRIPTION	ECO NO.	NAME
------	------	-------------	---------	------



DETAIL A  
SCALE 1:1



DETAIL B  
SCALE 1:1



UNLESS OTHERWISE SPECIFIED: DIMENSIONS ARE IN MILLIMETERS			PART NAME/TITLE: 3" TWIN UNIVERSAL FLANGE RPA BLACK SISC PP 130MIC 1.2" PLUG											
<table border="1" style="width:100%; border-collapse: collapse;"> <thead> <tr> <th style="width:10%;"></th> <th style="width:40%;">NAME</th> <th style="width:30%;">DATE</th> </tr> </thead> <tbody> <tr> <td>DRAWN</td> <td>Arkadi</td> <td>01.08.2017</td> </tr> <tr> <td>APPROVED</td> <td>Marina.k</td> <td>01.08.2017</td> </tr> </tbody> </table>				NAME	DATE	DRAWN	Arkadi	01.08.2017	APPROVED	Marina.k	01.08.2017	SUBJECT/PROJECT: 3" TWIN UNIVERSAL FLANGE FILTER		
	NAME	DATE												
DRAWN	Arkadi	01.08.2017												
APPROVED	Marina.k	01.08.2017												
Confidential property information. Amiad Water Systems Ltd. Reserves the rights to make changes. All copy rights reserved to Amiad Water Systems Ltd.			MATERIAL: VARIOUS		CAT. NO: 014002-000143									
			WEIGHT: N/A		DRW. REV.: A									
			DRW. NO: 014002-000143-GA											
			SCALE: 1:10	SIZE: A3	SHEET 1 OF 1									