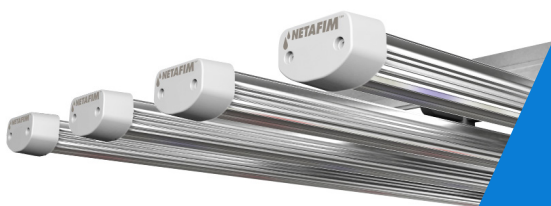


# Elevate S

GREENHOUSE SUPPLEMENT

Elevate yield and other crop characteristics with the industry's highest performing grow lighting system. Whether you are growing flowers, vegetables, fruit or medicinal plants, the Elevate product family will help you get the most out of your plants with less cost, fewer resources and more peace of mind.



Flexible, Modular Design



Tool-Free Installation



User-Friendly

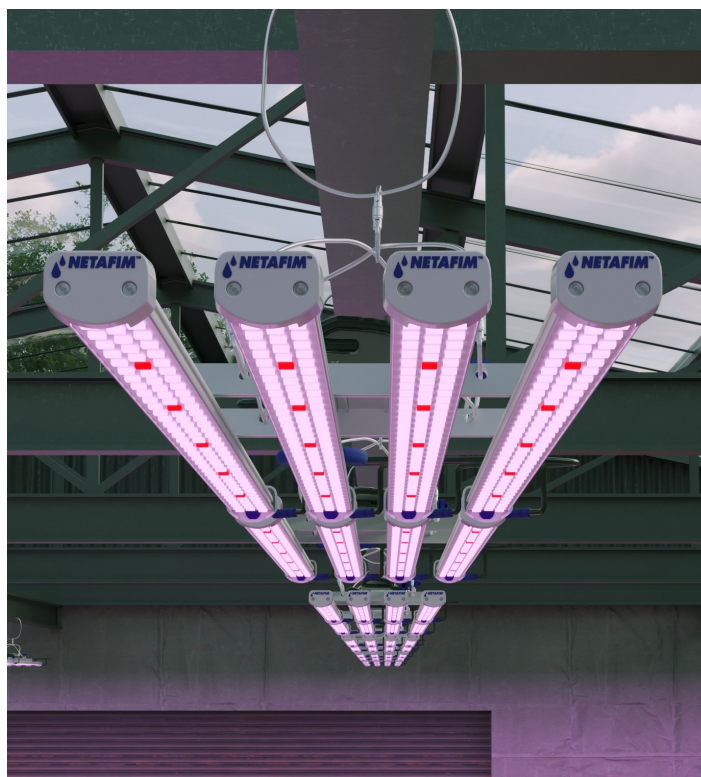
## Benefits & Features

- ✓ Industry-leading Photosynthetic Efficacy
- ✓ Compatible with standards-based wired and wireless controls
- ✓ Multiple Spectrum options
- ✓ Sub-Canopy & Side-Lighting Options – boost yield beyond canopy saturation
- ✓ Plug-and-Play Wire Harnesses
- ✓ Snug-fit Option (<3" depth)
- ✓ Rope ratchet or Aircraft cable mounting options

## Elevate-S Specifications

### (2) 4 Bar Premium HO LED Luminaire System High-PPE Broad Spectrum White 160 Degree Wide Distribution

- + PPE ( $\mu\text{mol}/\text{J}$ ): > 2.8
- + PPF ( $\mu\text{mol}/\text{s}$ ): > 1950
- + PPFD: 700 – 1000 Typ.
- + Recommended Coverage Area:
  - 4' x 4' single unit (9- to 10-bar)
  - 4' x 5' end-to-end (11- to 12-bar)
- + Power Supplies: Dim-to-Off, Programmable
- + Testing / Certification: UL / DLC
- + Warranty (System): 5 years
- + Warranty (Driver): 7 years (@ < 75°C Tc)
- + Fixture Dimensions/Weight:
  - Max 10" x 46.5" x 5" (drivers on-board) @ 17 lbs
  - Max 10" x 46.5" x 3" (drivers remote) @ 11 lbs



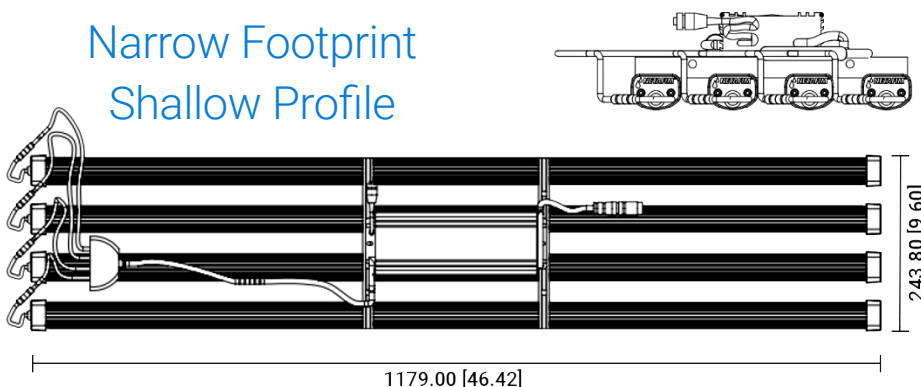
## Grow Lights

Product	Description	Units	Part No.	Component Details
 Supplement (8)	(2) X (4) Bar High Performance Grow Light	16 units/pallet	Elevate-8S	Fully assembled; Ready to mount; See included accessories below
 Supplement (4)	(1) X 4 Bar High Performance Grow Light	32 units/pallet	Elevate-4S	Fully assembled; Ready to mount; See included accessories below

## Grow Light Accessories

Type	Part No.	Description	Included Elevate-8F	Included Elevate-4V
AC Power Cabling	AC4D	AC Daisy Chain (4 Light)		
AC Power Cabling	ACWJ	AC Quick Connect to Flying Leads (1 Light)		
AC Power Cabling	ACEX10	AC Extension (10' cable)		
AC Power Cabling	ACTC	AC Quick Connect Tee	1	1
AC Power Cabling	ACN6-15P	AC Cable and Plug NEMA 6-15P	1	1
DC Control Cabling	DC-5	DC 1-to-5 Splitter	2	1
DC Control Cabling	DCex10	DC Extension (10' cable)		
DC Control Cabling	DS5	DC Daisy Chain (2-Pin) (4 Driver)		
DC Control Cabling	FLS	Mini Quick Connect to Flying Leads	1	1
DC Control Cabling	ZGA1	Integrated Zhaga Connector (for DC Control)	2	1
Mounting	YYR2	Nylon mountring rope ratchets (2 pc pack)	2	2
Controls	SPTRUWIFI	SpecTru Spectral Sensor w/ Wifi		
Controls	BLETDL	Bluetooth Adapter for up to 40 Drivers		
Controls	MAN10	Rotary Manual (0-10) Dimmer		

Narrow Footprint  
Shallow Profile



## Electrical Specs

- + Industrial UL Class P programmable 1 or 2 x 320W rated power supplies
  - adjustable drive current
  - optional 250W / 640W)
- + Input Voltage: 90~305Vac (480Vac available - contact manufacturer)
- + Power Range (LED) for Flowering:
  - 320 W - 640W (~350-680 WIn)
- + Total Input Current (Amps):
  - 1.0 - 2.3A @ 277V;
  - 1.1 - 2.6A @ 240V;
  - 2.1 - 5.3A @ 120V;
- + Power Range (LED) for Driver Efficiency: ~93%
- + Built-in Active PFC Function > 98% per Full load
- + Dimming Function: 0.5V-10V, Dim-to-Off
- + Reliability Protection: OVP, SCP, OTP, and 10KV Surge Protection
- + Safety Regulation: UL8750, UL8800 & EN61347, DLC
- + Waterproof Rating: IP66