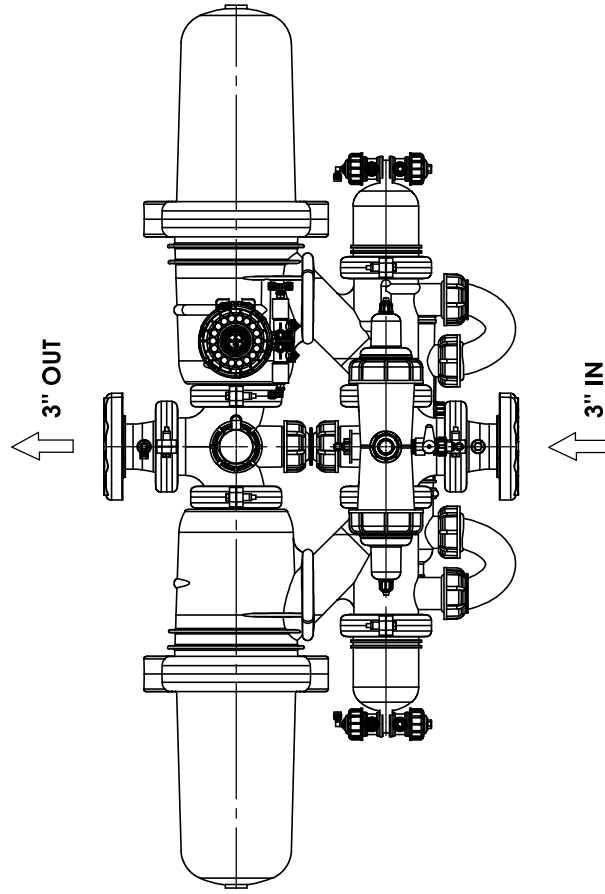
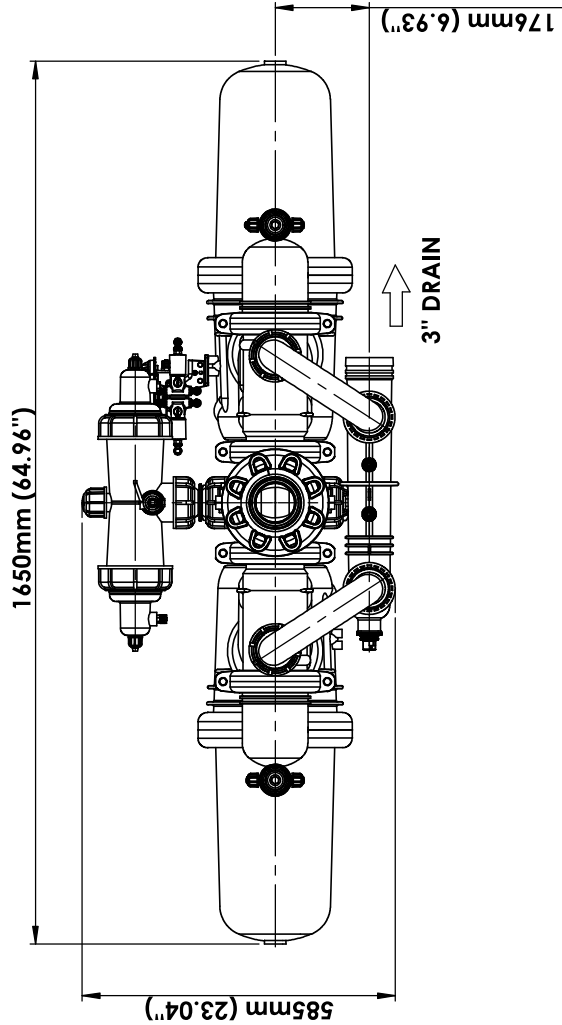
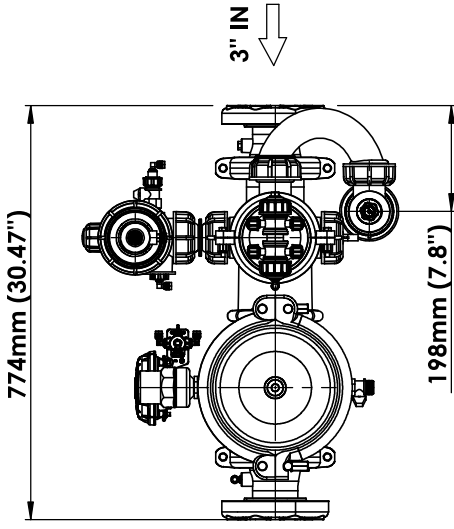


FOR INFORMATION ON



UNLESS OTHERWISE SPECIFIED: DIMENSIONS ARE IN MILLIMETERS		SUBJECT/PROJECT: 3" NOVA PLUS SINGLE IN-LINE AKF INTEGRAL 130M PP ADI-P DUOC SOL G75-A3P 12VDC 8 MM	
DRAWN	ELENA	DATE	17/06/2020
CHECKED		ASSEMBLY/TITLE:	ASSEMBLY DRAWING
APPROVED		MATERIAL:	
Confidential property information. Amiad Water Systems Ltd. Reserves the rights to make changes. All copy rights reserved to Amiad Water Systems Ltd.		CAT. NO.:	117100-000002
		DRW. NO.:	
Backup Drawing:		SCALE:	1:10
		SIZE:	A3
		SHEET:	8

ALL FLANGES ACCORDING TO ANSI ; ISO ; BS

