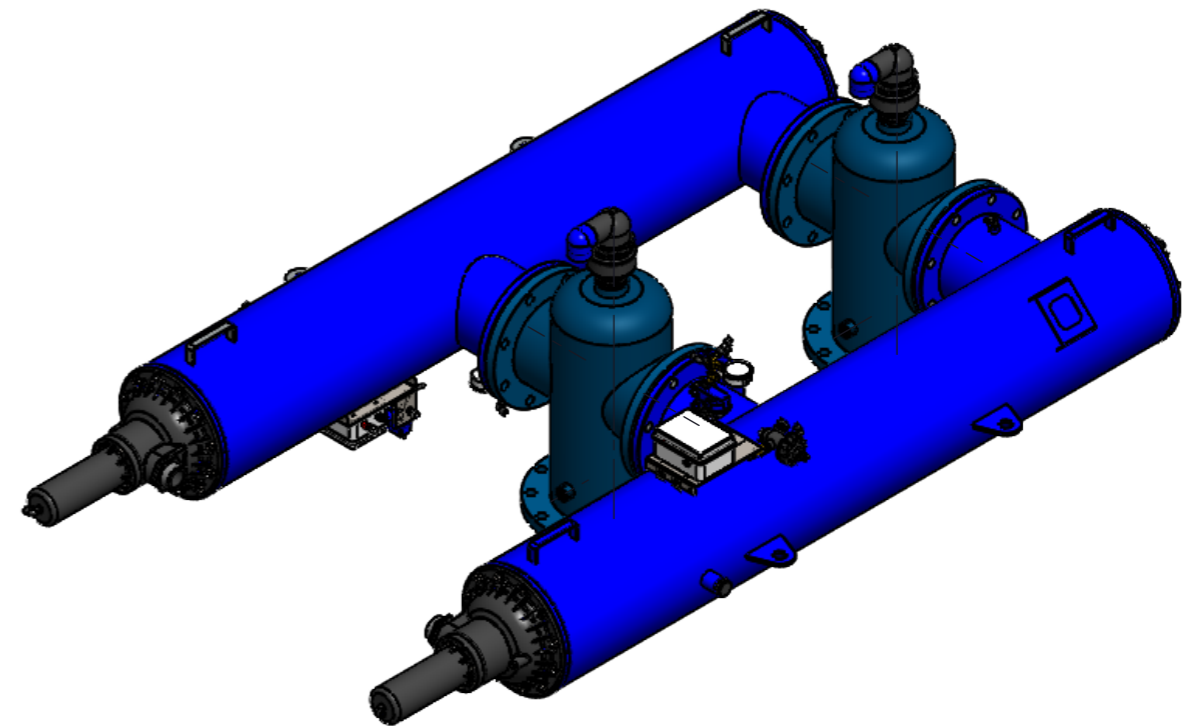
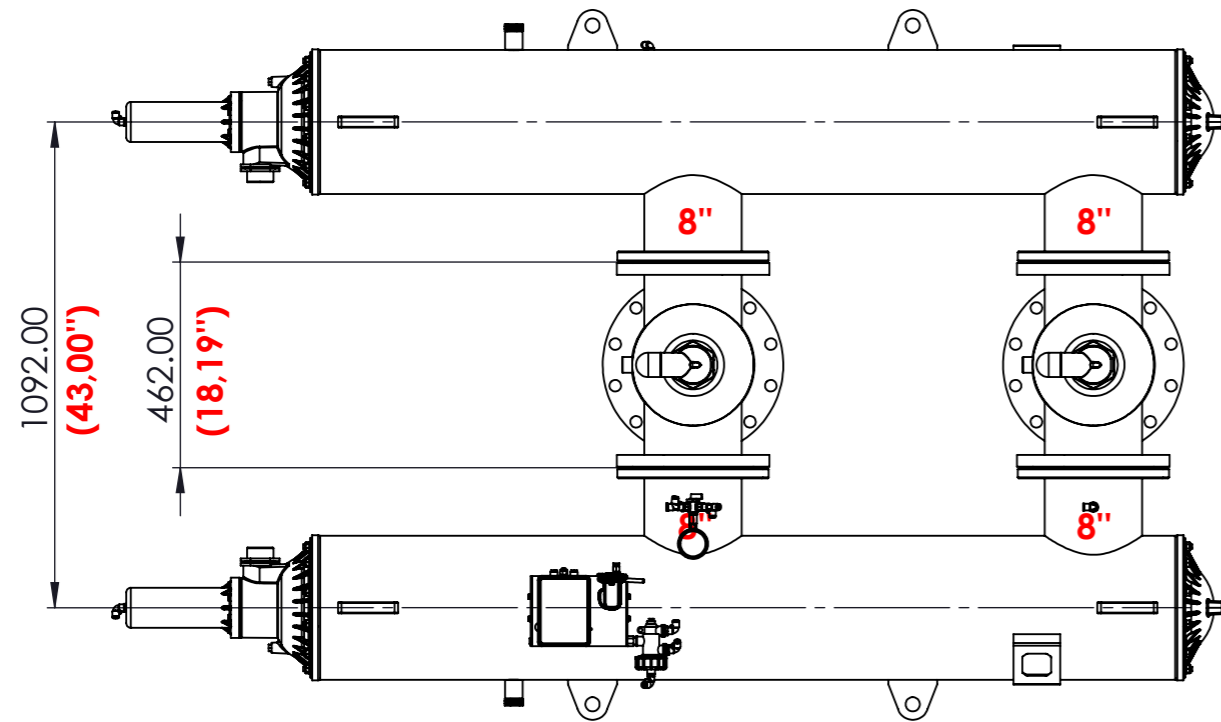
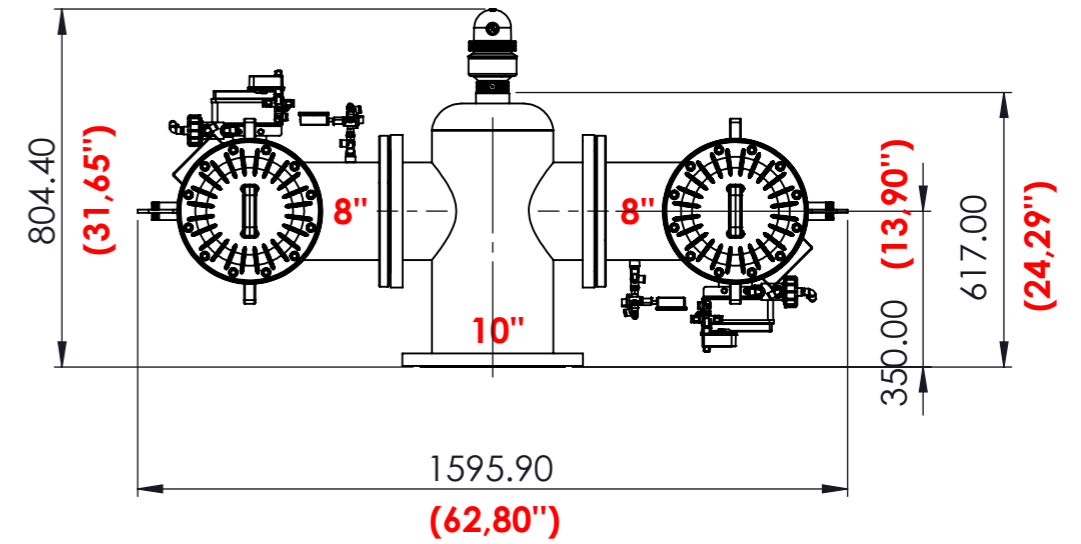
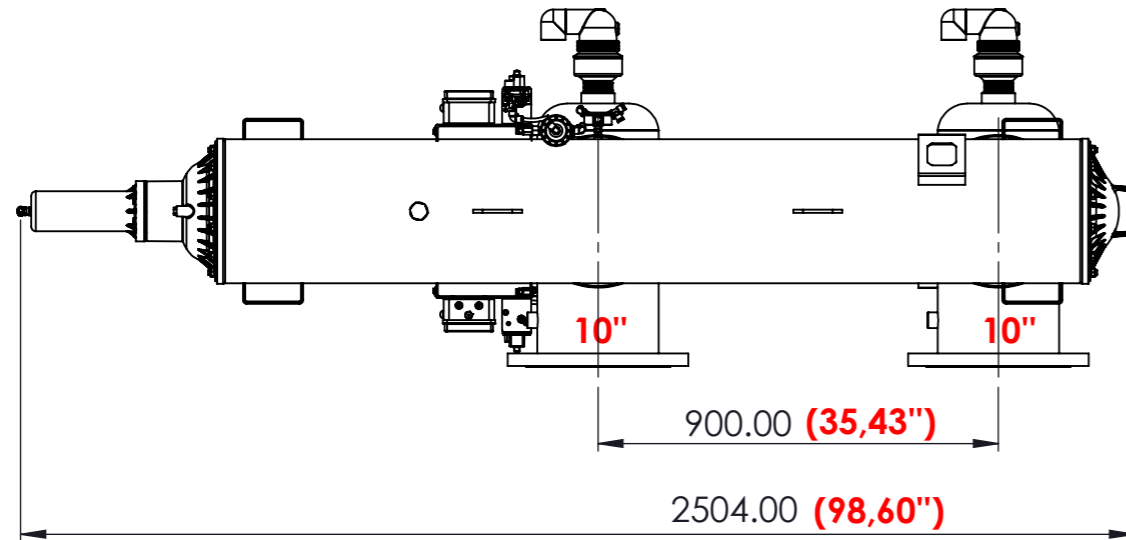


FILTRATION SYSTEM

2 X 8" AUTOMATIC SG X 10" ANSI INLET/OUTLET



*Filter Inlet / Outlet : 8"ANSI Flanged

*TEE Connector : 8"x10"x8" ANSI Flanged



Country:	Main Title:	Design:	Date:	
GLOBAL	FILTRATION SYSTEM	KEREM	09/03/2023	
Page:	Subject:	Drawer:	Scale:	P. Size:
1	2 X 8" AUTOMATIC SG X 10" ANSI INLET/OUTLET	KEREM	1:20	A3