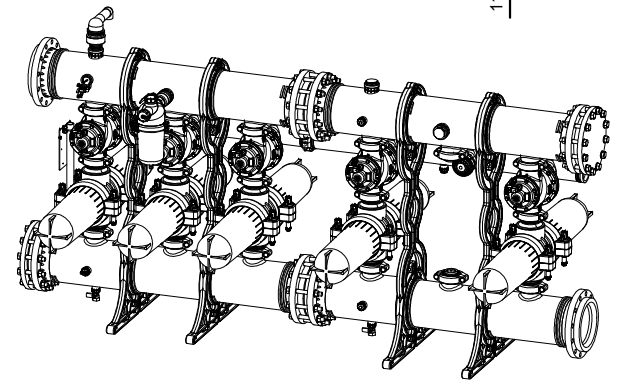
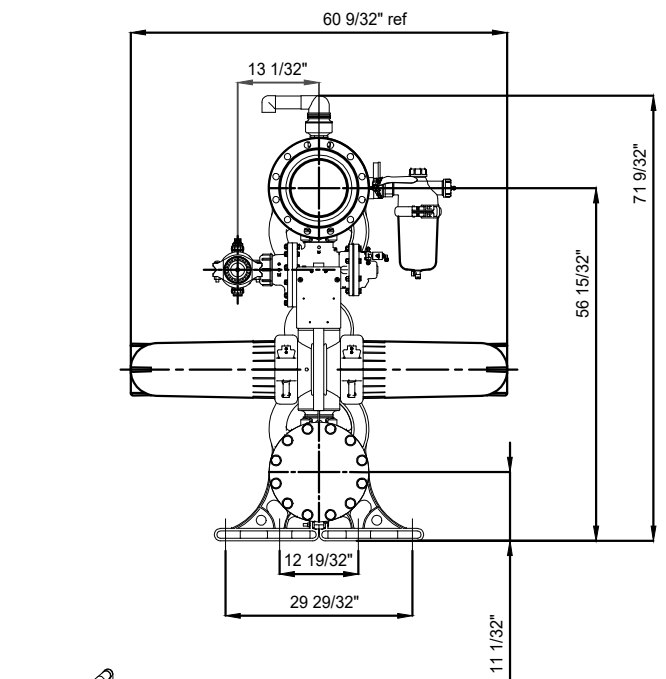
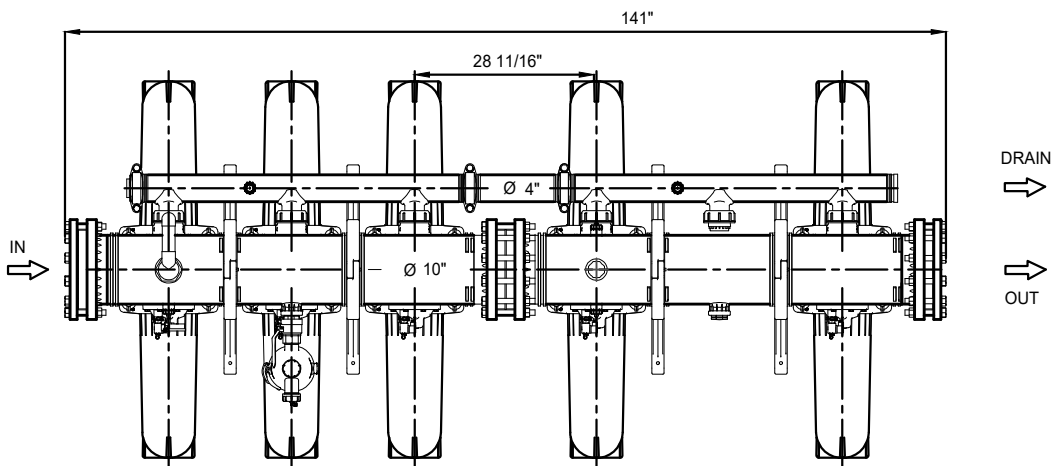
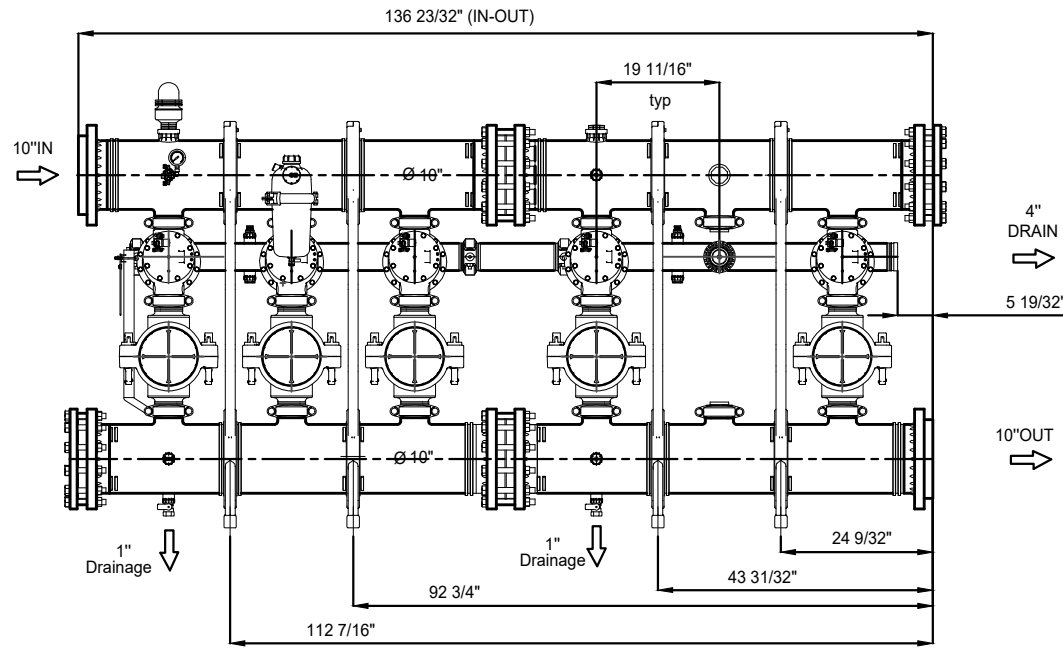


LIMITATIONS:
 ALLOWING FOR A WIDE VARIETY OF APPLICATIONS AND CONDITIONS, NETAFIM IRRIGATION INC. IS NOT RESPONSIBLE FOR CORRECTNESS OR APPLICABILITY TO PURPOSE OR COMPATIBILITY TO ANY SITE OR JOB CONDITION. WARRANTY FOR SUITABILITY IS NOT GIVEN OR IMPLIED. MODIFICATIONS FOR SPECIFIC PURPOSES MAY BE NECESSARY. ANY SUCH MODIFICATIONS SHALL BE THE RESPONSIBILITY OF THE USER. NETAFIM IRRIGATION INC. SHALL NOT BE RESPONSIBLE FOR REPRODUCTION, PUBLICATION AND REUSE BY ANY METHOD IN WHOLE OR PART IS FULLY AUTHORIZED. OWNERSHIP IS RETAINED BY NETAFIM IRRIGATION INC. VISUAL CONTACT WITH THESE DETAILS SHALL CONSTITUTE A FORMAL ACCEPTANCE OF THE ACCEPTANCE OF THESE RESTRICTIONS.



00 APOLLO MODULAR TWIN 5 UNIT
 NOT TO SCALE