

# AGRICULTURE PRICE LIST

UPDATED: DECEMBER 1, 2024



Precision  
Agriculture



# CATEGORY CODES

<b>Netafim Pricing Category Codes</b>	<b>Description</b>
A	Typhoon & Aries TWD
B	DripNet PC TWD
C	Uniram HWD
E	Online Drippers
F	Streamline TWD
I	Fittings
J	Aries HWD
M	Poly Tubing
N	Filters, Sand Media, Valves, Air Vents, Water Meters
O	DripNet PC HWD
V	FlexNet

\*All category codes will be denoted near the item price listing as follows:

(A) (B) (C) (E) (F) (I) (J) (M) (N) (O) (V)

Please Note: We have added a category code (i.e. letter designation) near each product listing in the price list. This letter code identifies the product category. To request your multiplier by category code, please contact your Netafim Sales Representative.

# TABLE OF CONTENTS

<a href="#">Category Codes</a>	<a href="#">2</a>
<a href="#">Ordering Information</a>	<a href="#">4</a>
<a href="#">Terms and Conditions</a>	<a href="#">5</a>
<a href="#">Product Warranty</a>	<a href="#">11</a>
<a href="#">Irrigation Consumer Bill of Rights</a>	<a href="#">14</a>
<a href="#">Thinwall Driplines</a>	<a href="#">15</a>
<a href="#">Heavywall Driplines</a>	<a href="#">37</a>
<a href="#">Fittings &amp; Connectors</a>	<a href="#">47</a>
<a href="#">On-Line Drippers</a>	<a href="#">57</a>
<a href="#">Pipe &amp; Tubing</a>	<a href="#">61</a>
<a href="#">Sprinklers</a>	<a href="#">71</a>
<a href="#">Filters</a>	<a href="#">81</a>
<a href="#">Valves</a>	<a href="#">119</a>
<a href="#">Air Vents &amp; Pressure Regulators</a>	<a href="#">137</a>
<a href="#">Water Meters</a>	<a href="#">143</a>

# ORDERING INFORMATION

Netafim USA appreciates your business, and we maintain a policy of continued product improvement. For any ordering or pricing questions, contact our Customer Service Representatives at:

**NETAFIM USA CUSTOMER SERVICE**  
**888-638-2346 (888-NETAFIM)      ORDERS FAX 800-695-4753      SUPPORT FAX 866-253-2550**  
**INTERNET ORDERS: [netafimorders@process.esker.net](mailto:netafimorders@process.esker.net)**  
**GENERAL CUSTOMER SERVICE E-MAIL: [us.customerservice@netafim.com](mailto:us.customerservice@netafim.com)**  
**5:00 AM - 5:00 PM PST**  
**PRICES AND SPECIFICATIONS ARE SUBJECT TO CHANGE WITHOUT PRIOR NOTICE.**

## ORDERING GUIDELINES

The Netafim Dealer Portal is the most convenient way to place orders and obtain order status information. The Checkout page of the Netafim Dealer Portal will guide you to enter all required fields. Using the portal provides a greater chance of order accuracy. An accurate order is generally easier and quicker to process.

Use the following guidelines when placing an order by Fax or E-Mail with Netafim USA to ensure all the necessary information is provided.

1. Company Name and Netafim Account Number

2. Name of Person Placing Order and Phone Number

3. Shipping Information

Name of Company or Individual Job Name or Reference (optional)

Address (no PO Boxes)      Contact Name and Phone Number (optional for parcels) City, State, Zip Code

4. Purchase Order Number

5. Requested Ship Date

If the required ship date is not known, provide an approximate date. In the absence of a delivery time set forth in the order confirmation, or subsequently provided by Netafim USA, the delivery date will be within ninety (90) days of the order confirmation. If you have requested a ship date, we will make every effort to target that date and time. If a specific date is given, the order will ship automatically, and you will not receive a call prior to pulling/packing/loading. For truck loads, the driver will call for an appointment. Please let us know if we are required to hold the order until we are notified to ship. Any changes to the original ship date must be communicated to Netafim Customer Service 48 hours prior to shipping. NOTE: Held orders are subject to restrictions and/ or may incur extra fees.

6. Ship Method

If no preferences are specified, the order will ship best method at Netafim's discretion.

7. Netafim Item or Model Number for Products Needed

Use the correct item or model number and do not use a number with a different description. Consult the Netafim Dealer Portal or your price list for the appropriate number or call Customer Service for assistance.

8. Specials or Price Quotes

If any specials or price quotes apply to the order, include this information on the purchase order, or in the appropriate field of the shopping cart of the Netafim Dealer Portal. Special requests can also be added to the order comments section of the Netafim Dealer Portal.

9. Ship Order Complete

Indicate if the order is to ship complete. If not indicated on the order, ship-complete will be the preferred order fulfillment method, but at Netafim's discretion, partial shipments are allowed.

10. Combining Orders

If order is to be combined with other orders for shipping, indicate the other order numbers.

## ADDITIONAL GUIDELINES FOR TRUCKLOAD ORDERS

1. Ship to Address or Nearest City

Is a delivery map required? If yes, map is required 24 hours prior to loading.

2. Provide Requested Delivery Date and Time of Arrival for Delivery Site

3. Provide Contact Name and Phone Number

# TERMS AND CONDITIONS

These Terms and Conditions (“Terms”) shall apply to the sale of all products supplied (“Products”) by Netafim Irrigation Inc. (“Netafim USA”) to a purchaser (the “Buyer”). These Terms shall govern such sale of Products and together with the Freight Terms, the product warranty, and Netafim USA’s written order acknowledgement and/or Netafim USA’s invoice (together, the “Commercial Documents”) shall constitute the entire Agreement (“Agreement”) between the Parties for the purpose of such sale. Any additional, different, or conflicting terms are hereby rejected, unless otherwise agreed in a signed contract by Netafim USA.

## PRICING

All prices shown are recommended retail prices. Wholesale prices are net prices discounted from list prices. All prices are subject to change without notice. No prices are firm until Netafim USA sends Buyer an order acknowledgement or invoice. Notwithstanding the preceding sentence, Netafim USA reserves the right to re-price Products to the then-current price when Products ship if any of the following apply: (1) Buyer schedules delivery of the Products more than 90 days from the date the initial order acknowledgement is sent to the Buyer by Netafim USA, (2) Buyer is notified by Netafim USA that the products are available for delivery on or before the originally requested shipping date and does not take delivery of the Products within 15 days of the originally requested shipping date, (3), Buyer does not take delivery within 15 days of the date the Buyer is notified by Netafim USA that the Products are available for delivery, if that date is after the requested shipping date, or (4) a Force Majeure Event substantially increases the cost or decreases the availability of a Product or a material input for that Product. Prices do not include taxes, freight or handling, or other surcharges. If appropriate, such charges will be billed separately on the invoice.

## PRODUCT CLASSIFICATION

Netafim USA’s Agriculture Price List represents our most commonly ordered Products as well as some reference to options, which may be available. If you have a product requirement for something you do not see listed, please call Customer Service for availability, price, and delivery times.

## PAYMENT TERMS

All invoices are payable in United States Dollars at net thirty (30) days from the date of invoice, unless otherwise agreed in writing. All past due balances will be assessed a monthly finance charge of eight-tenths of one percent (0.8%), or the highest amount allowed by law, whichever is less. All Payments made by the Buyer under these Terms shall be made in full without any deduction, set-off or counterclaim whatsoever. Any check or remittance received from or for the account of Buyer may be accepted and applied by Netafim USA against any debt owed by Buyer to Netafim USA without prejudice to or the discharge of the remainder of such indebtedness of any condition, provision, statement, legend, or notation appearing on or referring to or accompanying such check or remittance. Netafim USA will not accept any payment less than the entire debt as accord and satisfaction of such indebtedness except upon Netafim USA’s signed, written agreement.

## ACCOUNT STATUS

All orders are subject to credit review. Order processing and/or shipments may be held until Buyer’s account is current.

## MINIMUM ORDER

The minimum order amount for standard (stocked) products is one hundred dollars (\$100). A twenty-dollar (\$20) per order charge will be assessed on all Product orders less than the one hundred dollar (\$100) minimum. Non-standard items such as extruded products with special flows or pricing, or Products with unusual features, may have different minimum order requirements. See the price list for order minimums.

## SPECIAL ORDERS

We will work with you on any Special Order, Make-to-Order, or Custom requests. In the case of Special Orders or Custom requests, prices and delivery will be quoted, and the order will not be eligible for cancellation or return. Also, Special Orders or Custom requested products, manufactured or ordered to “non- standard” specifications, at Netafim USA’s discretion, may be shipped immediately upon availability. If accepted by Netafim USA, an order for Make-to-Order Products will not be produced until Buyer has provided a delivery date and shipping location to Netafim USA. Once the Product is manufactured, Buyer must authorize shipment of the Product within 15 days from the date originally requested for shipment. Returns of Make-to-Order Products are handled as listed below.

# TERMS AND CONDITIONS

## ORDER CANCELLATIONS

Buyer may not cancel an order unless such cancellation is expressly agreed to in writing by Netafim USA. Netafim USA has no obligation to cancel an order for Non-Standard, Make-to-Order, Custom or Special-Order Products after the Products have been manufactured, or received from a vendor, or a non-cancellable purchase commitment has been entered into with a vendor. If Netafim USA, at its sole discretion, agrees to cancel such an order, upon cancellation the Buyer may be charged 50% or more of the order value based on how saleable the Products are.

## PRODUCT CHANGES

Netafim USA reserves the right to redesign, alter, or modify its Products at any time, without notice. Any catalog, design manual, price sheets, and/or other written material are subject to withdrawal or change at any time without prior notice. Possession of the current catalog or price sheets does not constitute an offer to sell.

## PRODUCT INSTALLATION

Unless otherwise agreed by Netafim USA, Netafim USA does not provide advice or assistance in the installation of the Products by the Buyer or any third party.

## BAGGED PRODUCTS

Netafim USA has a number of Products that are packaged and sold in bagged or case quantities. Bagged parts are designated by placing a "-B" at the end of the product number. The quantities have been developed to provide the best value for the most standard quantities ordered and are intended for sale in the quantities listed. Order quantities will be rounded up to the nearest bag or case quantity at Netafim USA's discretion. Buyer can verify part numbers and quantities being ordered by using the Netafim USA Dealer Portal or the Netafim USA price list. Netafim USA shall not be held liable for the impact of Buyer mistakes in order quantities due to incorrect part numbers or quantities not matching bagged or case quantities.

## REEL DEPOSITS

When requested by the Buyer, heavy wall irrigation tubing may be provided to the Buyer on Metal Reels. The Metal Reels are approximately 8 feet in diameter and of hub and spoke construction. The reels will be loaned to the Buyer to facilitate the bulk transportation and installation of the irrigation tubing. A seven hundred dollar (\$700) deposit per reel will be applied to cover the cost of each reel. The reel must be returned in good condition for the deposit to be credited back to the Buyer. Damaged reels will not be accepted for credit. Buyer will be responsible for return freight. Reels must be returned within 120 days to receive credit.

## ACCEPTANCE

The Buyer acknowledges its responsibility for inspecting all Products shipped by Netafim USA to determine whether said Products are in conformity with Buyer's order, including whether all Products listed on the packing list have been shipped and whether the shipment contains any damaged Products. The Buyer agrees that fourteen (14) days from receipt of each shipment is a reasonable time in which to perform the inspection and notify Netafim USA of any nonconformity. If Netafim USA has not received a written notice of nonconformity within fourteen (14) days of the Buyer's receipt of the shipment, the Buyer hereby agrees that the Products shall be deemed to be accepted by the Buyer, as that term is defined by the California Commercial Code. To avoid any doubt, the Buyer's right to reject the shipment will be terminated. Also, if a written notice of nonconformity is not received within fourteen (14) days of the Buyer's receipt of the shipment, Netafim USA will be relieved of any obligation concerning the shipment, other than warranty obligations, and the Buyer will pay for the shipment in full. The Buyer shall bear the complete cost of the inspection in all circumstances. The Buyer agrees that Netafim USA will have an opportunity to cure any nonconforming shipment. The Buyer further agrees that, in the event that a notice of nonconformity is received by Netafim USA, the time for Netafim USA's performance under the Agreement will be extended for a reasonable time to allow Netafim USA to tender conforming Products or make reasonable repairs.

## RETURNS – STANDARD PRODUCTS

No Products may be returned without Netafim USA's written consent and authorization. Requests to return Products must be made within 120 days of receipt of shipment from Netafim USA and reference the Netafim USA invoice number. Any approved return must be accompanied by a return goods authorization (RGA) issued by Netafim USA,

# TERMS AND CONDITIONS

clearly marked on the exterior of the parcel, and shipped freight prepaid within 30 days of the RGA issue date. All Products must be new, in original packaging, and in salable condition. All approved returns may be subject to a restocking fee. Buyer will bear the costs of return freight. Any shipment not meeting these criteria will not be accepted. The intent to return Products does not relieve the Buyer of the obligation to pay for the Products per the terms of the original invoice. Credit will be given only after the authorized return is received and accepted at Netafim USA.

## **RETURNS – NON-STANDARD PRODUCTS**

Non-Standard, Make-to-Order, Custom or Special-Order Products may not be eligible for return. Netafim USA may, at its sole discretion, deny the return of such non-standard products. If Netafim USA agrees to the return of such Products, the Products must be new, in original packaging, and in a saleable condition. The repurchase price offered for the return may be discounted 50% or more, based on how saleable the Products are. The intent to return Products does not relieve the Buyer of the obligation to pay for the Products per the terms of the original invoice. Credit will be given after the authorized return is received and accepted by Netafim USA.

## **RETURN OF DEFECTIVE PRODUCTS**

Netafim USA will be responsible for the return shipping of Products that are defective upon arrival, other than Products damaged in transport by the carrier. A Notice of Defect must be received by Netafim USA within fourteen (14) days of Buyer's receipt of said Products. The Buyer agrees that failure to give a Notice of Defect within such time is a waiver of any defect. Prior approval from the Buyer's District Sales Manager and an RGA must accompany all returns. Credit will not be given until the Product has been received by Netafim USA and approved for warranty.

## **PARTIAL SHIPMENTS/COMPLETE SHIPMENTS**

Netafim USA's goal is to ship Buyer orders complete and within the requested delivery time. Netafim USA may ship orders from any available warehouse, to meet requested delivery dates, unless otherwise specified by the Buyer. Partial shipments may be made at the request of the Buyer, at the sole discretion of Netafim USA. On orders where partial shipments are requested by the Buyer, Netafim USA at its discretion may ship and backorder open items on the order. Netafim may charge additional shipping and handling costs to Buyer incurred by partial shipments of an order.

## **DELIVERY PERFORMANCE**

Netafim USA will use commercially reasonable efforts to meet the delivery dates, specifications, and quantities set forth in an order acknowledgement. Netafim USA will not be liable for nonconformity, losses, damages, or delays suffered by the Buyer or any third party for any failure to meet the delivery dates, specifications, and quantities. If Netafim USA cannot meet the delivery date, it will notify the Buyer and use reasonable endeavors to make delivery within a reasonable time. Buyer must accept delivery and pay the Price thereof irrespective of such delay. In the absence of a delivery time set forth in the order acknowledgement, or subsequently provided by Netafim USA, the delivery date will be within ninety (90) days of the order acknowledgement.

## **STANDARD FREIGHT TERMS**

FOB Origin, per the Uniform Commercial Code (UCC) definition. Standard shipping method is Netafim USA's choice of carrier, shipped prepaid and added to the Buyer invoice. Shipments will be made within a one hundred fifty (150) mile radius of an authorized Buyer's store.

## **FREIGHT POLICY**

In consideration for the Buyer placing orders that meet minimum thresholds, as defined in the Freight Policy Statements (see FREIGHT CHARGES below), Netafim USA will provide freight allowances that may completely or partially reimburse the cost of freight. Unless otherwise agreed, the allowances will be applied against the cost of Transportation. For the purposes of this policy, "Transportation" is defined as the cost of basic freight plus fuel surcharges, using preferred carriers, with standard trucks (closed box trailer without lift gate), standard loading methods, and no accessorial charges, i.e., Best Method Transportation. Buyer requests for non-standard Transportation that results in additional costs, may be invoiced to the Buyer. Accessorial Services (non-standard services such as Lift Gates, Pallet Jacks, Driver Assist, etc.) may be charged separately on the invoice. If non-standard Transportation or Accessorial Services are billed to the Buyer, "Freight Free" shall mean that Transportation costs only will be fully reimbursed.

# TERMS AND CONDITIONS

## **FREIGHT CHARGES**

Netafim USA's method for charging freight, including freight allowances and order thresholds, will be communicated separately to Buyers in separate Freight Policy Statements.

## **FREIGHT DAMAGES**

The Buyer acknowledges that risk of loss during transport is on the Buyer. Netafim USA is not liable for damage or loss occurring during shipment. Claims for such damages must be filed with the freight carrier directly. Freight damage and obvious box or pallet count shortages must be noted on the bill of lading at the time of goods receipt. Failure to do so will forfeit any remedy for such claims.

## **EXPORT COMPLIANCE**

The "Products" sold or distributed by Netafim USA (i.e., commodities, technology, or software) when exported from the United States are subject to the Export Administration Regulations ("EAR") administered by the U.S. Department of Commerce. Buyer hereby certifies that it understands its obligations to comply with U.S. export controls and trade sanctions. These include the EAR and the laws and regulations implemented by the U.S. Department of the Treasury, Office of Foreign Assets Control ("OFAC"). Buyer agrees to obtain any necessary authorization to transfer the Products outside the U.S. (and to non-U.S. persons within the U.S.) including to any (i) country/territory, (ii) end-user (i.e., individual or entity), or (iii) end-use subject to U.S. trade/economic sanctions under the EAR or by OFAC. Diversion of the Products by foreign persons contrary to U.S. law is prohibited.

## **FORCE MAJEURE**

Except for any obligation of the Buyer to pay any money due to Netafim USA, neither party will be liable for any delay or failure to perform any obligation hereunder caused by a Force Majeure Event. The Party claiming the Force Majeure Event will (A) promptly notify the other Party in writing of the Force Majeure Event and its likely duration, and (B) will take reasonable steps to overcome the delay or stoppage. "Force Majeure Event" means an event, condition, or circumstance beyond a party's reasonable control including, without limitation: industrial disputes, strikes, lockouts, accident, breakdown, import or export restrictions, acts of God, fire, inclement weather, earthquake, epidemic, or pandemic (including COVID-19 or similar), acts or threats of terrorism, war, criminal acts (including but not limited to cybercrimes), failure of public infrastructure, or other similar circumstances.

## **INTELLECTUAL PROPERTY**

The Buyer acknowledges that any and all Intellectual Property associated with the Products is exclusively owned by Netafim USA or its affiliates. The Buyer shall not take any action that will impair the ownership and rights of Netafim USA in and to the Intellectual Property. Buyer undertakes that it will not obliterate, remove, conceal, or modify any Intellectual Property appearing on or in any Products, nor will it append any additional marks thereto. The Buyer shall not copy, modify, publish, transmit, transfer, sell, reproduce, create derivative works from, distribute, perform, display, or in any way exploit any of the Intellectual Property. The Buyer may not use Seller's name, logos or trademarks or any other Intellectual Property on any website. "Intellectual Property" shall mean for the purposes herein any patent, copyright, industrial design, trademark, tradename or other industrial or intellectual property right in respect of the Products and applications for any of the foregoing.

## **CHANGE OF CONTROL OR OWNERSHIP**

Prior to the occurrence of a Change of Control event, the Buyer shall notify Netafim USA in writing at least 14 days prior to the occurrence of such Change of Control. In the event of a Change of Control in Buyer, Netafim USA may, at its sole discretion, terminate the engagement with the Buyer under the Agreement. "Change of Control" means, with respect to the Buyer (i) any merger or consolidation with or into any other entity or any other similar transaction, whether in a single transaction or a series of related transactions, (ii) a transaction or series of related transactions in which 50% or more of Buyer's voting power is transferred to any person or entity, or (iii) the sale or transfer of all or substantial amount of the Buyer's assets.



# TERMS AND CONDITIONS

## COMPLIANCE WITH LAWS, ANTI-CORRUPTION AND BRIBERY

Buyer further represents and warrants to Netafim USA that:

- a. It will conduct itself in accordance with all applicable laws and regulations in carrying out his duties under these Terms.
- b. It and its applicable stakeholders, including, inter alia, any owner, shareholder (direct or beneficial), officer, director, employee, agent, third party representative, subcontractor, contractor, or other individual with any direct or indirect beneficial interest, shall comply with Anti-Corruption Laws (defined below) and shall not cause Netafim USA, its subsidiaries or affiliates to be in violation of any Anti-Corruption Law. "Anti-Corruption Laws" mean collectively all applicable foreign and domestic anti-bribery and anti-corruption laws, regulations, orders, judicial decisions, conventions and international financial institution rules regarding domestic or international corruption, bribery, ethical business conduct, money laundering, political contributions, gifts and gratuities, or lawful expenses to public officials and private persons, agency relationships, commissions, lobbying, books and records, and financial controls.
- c. Neither it nor any of its affiliates or representatives have, directly or indirectly, taken any action that would cause them to be in violation of any Anti-Corruption Laws.
- d. It, its owners, directors, employees and its agents, have not and will not pay, offer, or promise to pay any money, financial benefit or thing of value to any government, or party official, candidate or employee at any level, including employees of state owned or controlled enterprises ("Government Officials") (i) for the purpose of influencing any act or decision of such person or party in order to obtain or retain business, or to direct business to any person; or (ii) with regards to Government Officials and/or private individuals, induce that person to or reward that person not to perform its functions in connection with that person's employment or engagement.
- e. The Buyer represents and warrants that no owner, shareholder (direct or beneficial), officer, director, employee, agent, third party representative, subcontractor, contractor, or other individual with any direct or indirect beneficial interest in Buyer (collectively, "Interested Persons"), is a Public Official or Entity. A "Public Official or Entity" means (i) an officer, employee, agent, contractor or representative of any government or military, including, but not limited to, a customs official; (ii) any department, agency, corporate entity, instrumentality or political subdivision of any government or military; (iii) any person or commercial entity acting in an official capacity for or on behalf of any government or military; (iv) any candidate for political office, any political party or any official of a political party. Buyer shall notify Netafim USA immediately if it learns at any time that (i) an Interested Person becomes a Public Official or Entity, or (ii) a Public Official or Entity acquires an ownership, voting, or economic interest in Buyer.
- f. It is neither a governmental entity, agency, or instrumentality, nor is it owned by a governmental entity, agency, or instrumentality; and no owner, shareholder (direct or beneficial), officer, director, employee, agent, third party representative, subcontractor, contractor, or other individual with any direct or indirect beneficial interest in Buyer is a foreign Public Official or Entity.
- g. In the event of a breach of the obligations contained in this clause, the sale under these Terms is void.
- h. The Buyer (a) is not a Sanctioned Person, (b) has not, in the past five (5) years engaged in, has any plan or commitment to engage in, direct or indirect dealings with any Sanctioned Person or in any Sanctioned Country, or (c) has in the past five (5) years violated, or engaged in any conduct sanctionable under, any Sanctions Law, nor been the subject of an investigation or allegation of such a violation or sanctionable conduct. The Buyer shall conduct itself in accordance with Sanction Laws for the performance of its obligations under these Terms.
- i. Definitions
  - i. "Sanctioned Person" means, at any time, (a) any person listed in any sanctions-related list of designated persons maintained by the Office of Foreign Assets Control of the U.S. Department of the Treasury, the U.S. Department of State, or by the United Nations Security Council, the European Union or any European Union member state, (b) any person operating, organized or resident in a Sanctioned Country or (c) any person owned or controlled by any such person or persons described in the foregoing clauses (a) or (b).
  - j. "Sanctioned Country" means at any time, a country or territory which is the subject or target of any economic or financial sanctions or trade embargoes.
  - k. "Sanction Laws" means laws and executive orders of the United States of America, the United Nations Security Council, the European Union the United Kingdom, and the applicable laws of the jurisdictions under which the Buyer operates, imposing economic or financial sanctions or trade embargoes, and regulations implementing such laws and executive orders.

# TERMS AND CONDITIONS

## **NOTICES**

Notices or other communications provided for in these Terms shall be in writing and shall be delivered, given or otherwise provided (i) by hand, in which case, will be effective upon delivery, (ii) email, in which case, on the date sent if sent during normal business hours of the recipient, and on the next business day if sent after normal business hours of the recipient, or (iii) by overnight delivery by an internationally recognized courier service, prepaid for next day delivery, in which case, it will be effective two (2) business days after being deposited with such courier service.

## **NO WAIVER OF NETAFIM USA'S RIGHTS**

Neither Netafim USA's failure or delay to exercise any power or privilege under these Terms or failure to insist upon strict compliance by the Buyer with any obligation herein, nor any custom or practice of Netafim USA or Buyer shall constitute any waiver of any of Netafim USA's rights hereunder. Waiver by Netafim USA of any default of the Buyer must be in writing and shall not affect or impair Netafim USA's rights in respect of any subsequent or future default.

## **ASSIGNMENT**

Buyer shall not assign any of its rights or obligations hereunder to any other entity, without the Seller's prior written consent. These Terms shall inure to the benefit of the Parties hereto and their permitted successors and assigns.

## **SEVERABILITY**

If anything in these Terms shall be held unenforceable, illegal, or void by a court of competent jurisdiction then it shall be severed, and the rest of these Terms shall remain in full force to the extent possible.

## **GOVERNING LAWS AND JURISDICTION**

These Terms shall be governed by the laws of the State of California. The parties submit to the exclusive venue and jurisdiction of the state and federal courts of Fresno County, California.

# PRODUCT WARRANTY

## NETAFIM USA'S LIMITED WARRANTY/LIMITATION OF BUYER'S REMEDIES

### (A) BASIC MANUFACTURER'S LIMITED WARRANTY

Except as to products described in Subsections (B), (C), (D), (E), (F), (G), (H) and (I), products sold and/or manufactured by Netafim Irrigation, Inc. (Netafim USA) are warranted to be free from original defects in material and workmanship for a period of one (1) year from the date of delivery to the buyer unless (a) otherwise specified by and subject to the terms and conditions of any Warranty Supplements pertaining to specific products or, (b) expressly disclaimed in writing by Netafim USA. Within the warranty period, Netafim USA at its sole discretion shall have the option to repair or replace part or all of a defective product, or refund part or all of the original purchase price, if any part proves to be defective in material or workmanship after return of such product at Buyer's expense and after such return has been authorized in writing by Netafim USA. THIS BASIC MANUFACTURER'S LIMITED WARRANTY IS SUBJECT TO THE TERMS AND PROVISIONS IN SUBSECTION (i), (LIMITATION OF REMEDIES AND DISCLAIMER OF WARRANTIES) SET FORTH BELOW IN THE EVENT OF ANY INCONSISTENCY BETWEEN SUBSECTION (A) AND SUBSECTION (i) OF THIS PRODUCT WARRANTY, THE PROVISIONS OF SUBSECTION (i) SHALL PREVAIL.

### (B) DRIPPERS

Drippers are warranted to be free from original defects in materials and workmanship for a period of five (5) years. NetBow is warranted to be free from original defects in materials and workmanship for a period of two (2) years.

### (C) HEAVYWALL DRIPLINES AND BLANK POLYETHYLENE TUBING

Heavywall driplines and blank polyethylene tubing are warranted to be free from original defects in materials and workmanship for a period of seven (7) years and ten (10) years for environmental stress cracking. This warranty shall apply only to products with a wall thickness of 35 mil or greater.

### (D) FLEXIBLE PIPE AND OVAL TUBE

FlexNet flexible pipe is warranted for three (3) years. Oval tube: 42 psi (pro-rated) is warranted for seven (7) years and 21 or 29 psi (pro-rated) is warranted for two (2) years.

#### 42 psi

Within 3 Years	Within 4 Years	Within 5 Years	Within 6 Years	Within 7 Years
100%	80%	60%	40%	20%

#### 21 or 29 psi

Within 1 Year	Within 2 Years
100%	50%

### (E) THINWALL DRIPLINES

Warranted to be free from original defects in materials and workmanship as follows:  
5, 6 and 8 mil dripline - 1 year; 10, 13, 15, 18, 25 mil, 1 1/8 and 1 3/8 dripline - 2 years

### (F) FILTERS

Disc filters are warranted to be free from original defects in materials and workmanship for a period of five (5) years. This warranty specifically excludes gaskets, seals and o-rings, which are subject to the basic one (1) year warranty. Steel screen filters, Sandstorm filters and Screenguard filters are warranted for five (5) years.

# PRODUCT WARRANTY

## (G) VALVES AND WATER METERS

Valve and water meter bodies are warranted to be free from original defects in materials and workmanship for a period of five (5) years. Water meter metering components (register, electrical output, and metering assembly) are warranted for three (3) years. Valve and Hydrometer diaphragms are warranted for a period of two (2) years. This warranty specifically excludes pilots, pilot accessories, relays, solenoids, solenoid components/fittings, which are subject to the basic one (1) year warranty.

Octave water meters are warranted to be free from original defects in materials and workmanship for a period up to five (5) years. If the meter encounters a problem, Netafim USA will choose to cover the cost of repair or replacement based on a five (5) year pro-rated schedule as follows:

Year 0 through Year 2: 100%	Year 2 through Year 3: 75%
Year 3 through Year 4: 50%	Year 4 through Year 5: 25%

All Octave water meters must be installed with a Netafim branded Combination Air/Vacuum or Continuous Acting Air Vents to qualify for the five (5) year pro-rated product warranty.

## (H) AIR VENTS

Nylon air vent bodies are warranted to be free from original defects in materials and workmanship for a period of five (5) years. Polypropylene air vent bodies are warranted for two (2) years. This warranty specifically excludes internal seals, gaskets or o-rings which are subject to the basic one (1) year warranty.

## (I) SPRINKLERS

MegaNet Sprinklers are warranted to be free from original defects in material and workmanship for a period of one (1) year. Under a special extended warranty, SuperNet Sprinklers, Spray Jets and NetJet Spray Jets are warranted for a period of five (5) years. Buyer's remedy shall be limited to and pro-rated as follows:

### APPLICABLE REMEDY FROM DATE OF PURCHASE

Within 1 Year	Within 2 Years	Within 3 Years	Within 4 Years	Within 5 Years
100%	80%	60%	40%	20%

## (i) LIMITATION OF REMEDIES AND DISCLAIMER OF WARRANTIES

EXCEPT AS EXPRESSLY PROVIDED HEREIN, ALL WARRANTIES EXPRESSED OR IMPLIED, INCLUDING ANY IMPLIED WARRANTY OF MERCHANTABILITY OR FITNESS FOR A PARTICULAR PURPOSE OR USE, ARE HEREBY EXCLUDED AND DISCLAIMED.

THE REMEDIES PROVIDED HEREIN SHALL BE THE EXCLUSIVE AND SOLE REMEDY OF THE BUYER. NO OTHER EXPRESS WARRANTY IS GIVEN AND NO AFFIRMATION BY NETAFIM USA, BY WORDS OR ACTION, WILL CONSTITUTE A WARRANTY. NO OTHER EXPRESS WARRANTY NOR ANY OTHER REMEDY SHALL BE AVAILABLE TO THE BUYER AND NETAFIM USA SHALL NOT BE RESPONSIBLE OR LIABLE FOR ANY DAMAGES, INCLUDING ANY LOSS OF PROFIT, LOST SAVINGS, LOSS OF SALES, OR OTHER DIRECT, INDIRECT, INCIDENTAL, SPECIAL OR CONSEQUENTIAL DAMAGES, INJURY OR DAMAGES TO ANY PERSON OR PROPERTY ARISING OUT OF THE USE OR INABILITY TO USE THE PRODUCTS OR THE BREACH OF ANY EXPRESS WARRANTY, EVEN IF NETAFIM USA HAS BEEN ADVISED OF THE POSSIBILITY OF THOSE DAMAGES OR CLAIMS. NETAFIM USA SHALL NOT BE RESPONSIBLE FOR THE AFORESAID DAMAGES, CLAIMS OR LOSSES DUE TO LATE DELIVERY OR DELIVERY OR NON-DELIVER, OR OTHERWISE. THERE ARE NO WARRANTIES WHICH EXTEND BEYOND THE DESCRIPTION AS SET FORTH HEREIN. IF NETAFIM USA SHALL FURNISH TECHNICAL ADVICE OR ASSISTANCE WITH RESPECT TO THE PRODUCTS SOLD HEREUNDER, IT SHALL BE GIVEN WITHOUT CHARGE TO BUYER AND SHALL BE GIVEN AND ACCEPTED AT BUYER'S SOLE RISK WITHOUT ANY EXPRESS OR IMPLIED WARRANTY AND NETAFIM USA SHALL NOT BE RESPONSIBLE OR LIABLE FOR THE ADVICE OR THE RESULTS THEREOF BUYER ASSUMES ALL RISK AND LIABILITY RESULTING FROM USE OF THE PRODUCT PURCHASED.

# PRODUCT WARRANTY

## PRODUCT WARRANTIES

Product Description	Warranty Length
<b>AIR VENTS</b>	
Nylon Bodies	5 Years
Polypropylene Bodies	2 Years
Gaskets, Seals, O-Rings	1 Year
<b>DISC FILTERS</b>	5 Years
Gaskets, Seals, O-Rings	1 Year
<b>DRIPPERS</b>	5 Years
NetBow	2 Years
<b>WATER METERS</b>	
Metering Component	3 Years
Bodies	5 Years
Octave (Pro-Rated Schedule Applies)	5 Years
<b>HEAVYWALL DRIPLINES</b>	
Manufacturer's Defects	
Uniram, Uniram XRS, Aries, DripNet PC	7 Years
Environmental Stress Cracking (35 mil/greater)	
Uniram, Uniram XRS, Aries, DripNet PC	10 Years
<b>HEAVYWALL FITTINGS</b>	1 Year
<b>SPRINKLERS &amp; SPRAY JETS</b>	
(Pro-Rated Schedule Applies)	5 Years
Sprinkler Components	5 Years
MegaNet	1 Year
<b>STEEL SAND MEDIA FILTERS (Body Only)</b>	5 Years
Sand Media Filter Component	1 Year
<b>STEEL SCREEN FILTERS (Body Only)</b>	5 Years
Screen Filter Component	1 Year
<b>SCAN-KLEEN SCREEN FILTERS</b>	1 Year
<b>POLYETHYLENE TUBING</b>	
Manufacturer's Defects	7 Years
Environmental Stress Cracking (35 mil/greater)	10 Years
<b>FLEXNET FLEXIBLE PIPE</b>	3 Years
<b>OVAL TUBE</b>	
42 psi pro-rated	7 Years
21 or 29 psi pro-rated	2 Years
<b>PRESSURE REGULATORS</b>	1 Year
<b>THINWALL DRIPLINES</b>	
5, 6 or 8 mil Streamline X 630/875	1 Year
8 mil Typhoon Plus (all)	1 Year
10 mil Streamline X 630/875	2 Years
10, 13 or 15 mil Typhoon Plus 630/875	2 Years
13 or 15 mil Aries 638/875	2 Years
13 or 15 mil Aries and Typhoon Plus 990	2 Years
Aries and Typhoon Plus 1 1/8 and 1 3/8	2 Years
DripNet PC	2 Years
Splicer	1 Year
<b>THINWALL FITTINGS</b>	1 Year
<b>VALVES</b>	
Bodies	5 Years
Diaphragms	2 Years
<b>ALL PRODUCTS NOT LISTED</b>	1 Year

# IRRIGATION CONSUMER BILL OF RIGHTS

## AGRICULTURE

**Note:** This supplements various bills written for specific irrigation methods. Discuss these items with your irrigation dealer before purchasing your irrigation system. The discussion will help you to make wiser selections of design options and to appreciate the obligations of both yourself and the dealer in creating your irrigation system.

### Designer Qualifications

- What are the dealer credentials (formal training, references, designer certification by the Irrigation Association, contractor's license, and/or professional agricultural engineer registration)?

### Design Features

- What is the life expectancy of system components?
- What safety features have been included?
- What are the options for future upgrades?
- What is the recommended list of spare parts?

### Specific Operation/Design Parameters

- What will be the distribution uniformity of the whole field when brand new?
- Does the system provide climate control?
- Water requirements?
  - What are the peak daily needs (acre-inches) for a normal year?
  - What is the system delivery capacity in 24 hours (acre-inches)?
  - What is the anticipated amount of water to be used per year (acre-feet)?
  - If the field has plants with different spacings, ages or varieties, what is the recommended procedure to provide the appropriate amount of water per acre per week to each block?
- Energy consumption
  - Is it possible to pump all water during off-peak hours?
  - What are the pump and motor/engine efficiencies?
  - Are you provided with a pump curve showing the GPM and pressure?
  - What is the sensitivity of pump flow rates to well water level changes?
  - What is the energy cost per acre-foot?



### Filtration

- Is filtration necessary, and if so, what type is provided?

### Chemical Injection

- Are locally required backflow prevention and safety devices provided?
- What is the capacity of the injector, in gallons per hour?
- Can the equipment inject both fertilizers and other chemicals?

### Flow Meter

- Does it measure both flow rate (GPM) and/or volume (acre-feet) applied?
- Does installation follow the manufacturer's recommendations with regard to lengths of straight pipe, pipe diameter and straightening vanes?

### Pressure, Air and Flushing

- Are there adequate continuous air vents, vacuum relief valves and flushout?
- What are the number, type and size of pressure relief valves?
- Is the pressure rating of all system components sufficiently high for the anticipated water temperature, surge pressure and normal pressures?

### Warranties

- Who provides equipment installation, start-up and adjustments?
- What are the warranties on individual components and "system" design performance?
- Who is providing warranties and what do the warranties cover and exclude?
- Are the providers financially capable of standing behind their warranties?
- What is the availability of replacement parts?
- Is a packet provided containing manufacturer's literature, warranties and operation instructions for the system?
- Is the irrigation dealer a "full service" dealer?



# THINWALL DRIPLINES



Quick Selection Guide for Commonly Sold Products .....	16
Streamline™ X 630 Series .....	18
Streamline™ X 875 Series .....	19
Streamline™ X EZ (*Formerly Streamline X ReGen).....	20
PioneerLine™ PC and X.....	20
Typhoon™ Plus 638 Series .....	21
Typhoon™ Plus 875 Series .....	23
Typhoon™ Plus 990 Series .....	25
Typhoon™ Plus 1 1/8 Series .....	26
Typhoon™ Plus 1 3/8 Series .....	26
Aries™ 638 Series .....	27
Aries™ 875 Series .....	28
Aries™ 990 Series .....	29
Aries™ 1 1/8 Series .....	30
Aries™ 1 3/8 Series .....	30
DripNet PC™ 636 Series	
Non-Anti Siphon .....	31
With Anti-Siphon .....	32
DripNet PC™ 875 Series	
Non-Anti Siphon .....	33
With Anti-Siphon .....	34
DripNet PC™ 990 Series	
With Anti-Siphon .....	35

TWD = Thinwall Dripline  
MIPT = Male Pipe Thread

PE = Polyethylene Tubing  
FIPT = Female Pipe Thread

# THINWALL DRIPLINES

## QUICK SELECTION GUIDE FOR COMMONLY SOLD THINWALL DRIPLINES (MADE TO STOCK - MTS) NOT SUBJECT TO MINIMUM ORDER QUANTITY REQUIREMENTS (MOQ)

Netafim USA has a wide selection of thinwall driplines to fit numerous applications. Some driplines are stocking items which are not subject to minimum order quantity requirements and the following charts list those driplines.

### THINWALL REELS PER PALLET

Product	Series	Reels Per Pallet
Streamline X	630, 875	16
Typhoon Plus	630, 820, 875, 990, 1 1/8	16
Typhoon Plus	1 3/8	12
Aries	630, 875, 990	16
Aries	1 1/8, 1 3/8	12
DripNet PC	636, 876, 990	12

### STREAMLINE™ X 630 SERIES

With Flap Outlet Protection



Model Number	Description	Flow Rate (GPH)	Reel Length	Weight per Reel	Weight per Pallet	Price Per 1,000'	Price Per Reel
<b>5 Mil Wall Thickness - 0.638" Diameter</b>							
*SLXF63805.16-12	12" dripper spacing	0.16	13,000'	58 lbs.	973 lbs.	Call for Quote	
*SLXF63805.2-12	12" dripper spacing	0.24	13,000'	58 lbs.	973 lbs.		
<b>6 Mil Wall Thickness - 0.638" Diameter</b>							
*SLXF63806.2-08	08" dripper spacing	0.24	10,500'	59 lbs.	989 lbs.	Call for Quote	
*SLXF63806.16-08	08" dripper spacing	0.16	10,500'	59 lbs.	989 lbs.		
*SLXF63806.16-12	12" dripper spacing	0.16	11,500'	63 lbs.	1,053 lbs.		
*SLXF63806.2-12	12" dripper spacing	0.24	11,500'	63 lbs.	1,053 lbs.		
<b>8 Mil Wall Thickness - 0.638" Diameter</b>							
*SLXF63808.16-08	08" dripper spacing	0.16	8,000'	54 lbs.	909 lbs.	Call for Quote	
*SLXF63808.2-08	08" dripper spacing	0.24	8,000'	54 lbs.	909 lbs.		
*SLXF63808.16-12	12" dripper spacing	0.16	9,000'	61 lbs.	1,021 lbs.		
*SLXF63808.2-12	12" dripper spacing	0.24	9,000'	61 lbs.	1,021 lbs.		
*SLXF63808.4-12	12" dripper spacing	0.36	9,000'	61 lbs.	1,021 lbs.		
*SLXF63808.2-18	18" dripper spacing	0.24	9,000'	61 lbs.	1,021 lbs.		
*SLXF63810.2-12	12" dripper spacing	0.24	5,500'	65 lbs.	1,085 lbs.		

\* This item is Made to Stock only in our Thomasville, GA distribution center

### STREAMLINE™ X 630 SERIES

Without Flap Outlet Protection

**NEW**

Model Number	Description	Flow Rate (GPH)	Reel Length	Weight per Reel	Weight per Pallet	Price Per 1,000'	Price Per Reel
SLX63806.07-08	<b>6 Mil Wall Thickness - 0.638" Diameter</b> 8" dripper spacing	0.07	10,500'	59 lbs.	989 lbs.	Call for Quote	
SLX63808.2-12	<b>8 Mil Wall Thickness - 0.638" Diameter</b> 12" dripper spacing	0.24	9,000'	61 lbs.	1,021 lbs.		

**NOTE:** **MTS** (Made to Stock) - products are held in stock at Netafim USA warehouses and listed in the Quick Selection Guide for Commonly sold products.  
**MTO** (Made to Order) - considered products that are not MTS, in other words, not guaranteed to be in stock, and considered to be "Special Order" type products.  
**MOQ** (Minimum Order Quantity) - designated products are products that are MTO and are subject to a minimum coil quantity.



# THINWALL DRIPLINES

## QUICK SELECTION GUIDE FOR COMMONLY SOLD THINWALL DRIPLINES NOT SUBJECT TO MINIMUM ORDER QUANTITY REQUIREMENTS (MOQ)

### STREAMLINE™ X 875 SERIES

With Flap Outlet Protection



(F)

Model Number	Description	Flow Rate (GPH)	Reel Length	Weight per Reel	Weight per Pallet	Price Per 1,000'	Price Per Reel
<b>6 Mil Wall Thickness - 0.875" Diameter</b>							
SLXF87506.16-12	12" dripper spacing	0.16	8,000'	60 lbs.	1,005 lbs.	Call for Quote	
SLXF87506.16-14	14" dripper spacing	0.16	8,000'	60 lbs.	1,005 lbs.		
<b>8 Mil Wall Thickness - 0.875" Diameter</b>							
SLXF87508.16-12	12" dripper spacing	0.16	6,000'	56 lbs.	941 lbs.	Call for Quote	
SLXF87508.2-12	12" dripper spacing	0.24	6,000'	56 lbs.	941 lbs.		
<b>10 Mil Wall Thickness - 0.875" Diameter</b>							
SLXF87510.16-12	12" dripper spacing	0.16	5,500'	65 lbs.	1,085 lbs.	Call for Quote	

### STREAMLINE™ X 875 SERIES

Without Flap Outlet Protection

(F)



Model Number	Description	Flow Rate (GPH)	Reel Length	Weight per Reel	Weight per Pallet	Price Per 1,000'	Price Per Reel
<b>6 Mil Wall Thickness - 0.638" Diameter</b>							
SLX87506.07-08	8" dripper spacing	0.07	8,000'	62 lbs.	992 lbs.	Call for Quote	
<b>8 Mil Wall Thickness - 0.638" Diameter</b>							
SLX87508.07-08	8" dripper spacing	0.07	6,000'	58 lbs.	928 lbs.	Call for Quote	

### TYPHOON™ PLUS 875 SERIES

With Flap Outlet Protection



(A)

Model Number	Description	Flow Rate (GPH)	Reel Length	Weight per Reel	Weight per Pallet	Price Per 1,000'	Price Per Reel
<b>13 Mil Wall Thickness - 0.875" Diameter</b>							
TPF87513.16-1240	12" dripper spacing	0.16	4,000'	66 lbs	1,101 lbs.	Call for Quote	
TPF87513.16-1440	14" dripper spacing	0.16	4,000'	66 lbs	1,101 lbs.		

### TYPHOON™ PLUS 990 SERIES

With Flap Outlet Protection



(A)

Model Number	Description	Flow Rate (GPH)	Reel Length	Weight per Reel	Weight per Pallet	Price Per 1,000'	Price Per Reel
<b>13 Mil Wall Thickness - 0.990" Diameter</b>							
TPF99013.16-14	14" dripper spacing	0.16	3,300'	60 lbs.	1,005 lbs.	Call for Quote	

# THINWALL DRIPLINES



<b>SLXF</b>	638	08	.16	-12
	Inside Diameter	Wall Thickness	Flow Code	Dripper Spacing

## ORDERING EXAMPLE

Streamline X 638, 8 mil wall thickness, 0.16 GPH flow rate, 12" dripper spacing

- Model Number: SLXF63808.16-12

**NEW**

## NOMINAL FLOW RATES

Based on 10 psi inlet

Flow Rate (GPH)	Flow Code
0.07	07
0.16	16
0.24	2
0.36	4

Substitute Flow Code listed above

## STREAMLINE™ X 630 SERIES

Call Netafim USA Customer Service for delivery timelines

(F)

Model Number	Description	Reel Length	Weight per Reel	Weight per Pallet	Price Per 1,000'	Price Per Reel
<b>5 Mil Wall Thickness - 0.638" Diameter</b>						
SLXF63805.X-08	8" dripper spacing	13,000'	58 lbs.	973 lbs.		
SLXF63805.X-09	9" dripper spacing	13,000'	58 lbs.	973 lbs.		
SLXF63805.X-10	10" dripper spacing	13,000'	58 lbs.	973 lbs.		
SLXF63805.X-12	12" dripper spacing	13,000'	58 lbs.	973 lbs.	Call for Quote	
SLXF63805.X-14	14" dripper spacing	13,000'	58 lbs.	973 lbs.		
SLXF63805.X-16	16" dripper spacing	13,000'	58 lbs.	973 lbs.		
SLXF63805.X-18	18" dripper spacing	13,000'	58 lbs.	973 lbs.		
SLXF63805.X-24	24" dripper spacing	13,000'	58 lbs.	973 lbs.		
<b>6 Mil Wall Thickness - 0.638" Diameter</b>						
SLXF63806.X-08	8" dripper spacing	10,500'	59 lbs.	989 lbs.		
SLXF63806.X-09	9" dripper spacing	10,500'	59 lbs.	989 lbs.		
SLXF63806.X-10	10" dripper spacing	11,500'	63 lbs.	1,053 lbs.		
SLXF63806.X-12	12" dripper spacing	11,500'	63 lbs.	1,053 lbs.	Call for Quote	
SLXF63806.X-14	14" dripper spacing	11,500'	63 lbs.	1,053 lbs.		
SLXF63806.X-16	16" dripper spacing	11,500'	63 lbs.	1,053 lbs.		
SLXF63806.X-18	18" dripper spacing	11,500'	63 lbs.	1,053 lbs.		
SLXF63806.X-24	24" dripper spacing	11,500'	63 lbs.	1,053 lbs.		
<b>8 Mil Wall Thickness - 0.638" Diameter</b>						
SLXF63808.X-08	8" dripper spacing	8,000'	54 lbs.	909 lbs.		
SLXF63808.X-09	9" dripper spacing	8,000'	54 lbs.	909 lbs.		
SLXF63808.X-10	10" dripper spacing	9,000'	61 lbs.	1,021 lbs.		
SLXF63808.X-12	12" dripper spacing	9,000'	61 lbs.	1,021 lbs.	Call for Quote	
SLXF63808.X-14	14" dripper spacing	9,000'	61 lbs.	1,021 lbs.		
SLXF63808.X-16	16" dripper spacing	9,000'	61 lbs.	1,021 lbs.		
SLXF63808.X-18	18" dripper spacing	9,000'	61 lbs.	1,021 lbs.		
SLXF63808.X-24	24" dripper spacing	9,000'	61 lbs.	1,021 lbs.		
<b>10 Mil Wall Thickness - 0.638" Diameter</b>						
SLXF63810.X-08	8" dripper spacing	7,500'	65 lbs.	1,085 lbs.		
SLXF63810.X-09	9" dripper spacing	7,500'	65 lbs.	1,085 lbs.		
SLXF63810.X-10	10" dripper spacing	7,500'	65 lbs.	1,085 lbs.		
SLXF63810.X-12	12" dripper spacing	7,500'	65 lbs.	1,085 lbs.	Call for Quote	
SLXF63810.X-14	14" dripper spacing	7,500'	65 lbs.	1,085 lbs.		
SLXF63810.X-16	16" dripper spacing	7,500'	65 lbs.	1,085 lbs.		
SLXF63810.X-18	18" dripper spacing	7,500'	65 lbs.	1,085 lbs.		
SLXF63810.X-24	24" dripper spacing	7,500'	65 lbs.	1,085 lbs.		

NOTES: Streamline X is available with or without flap outlet protection. Flap recommended for subsurface row crop applications.

SLXF = Streamline X 630 Series with flap SLX = Streamline X 630 Series without flap  
For GPM per 100' pressure comparisons- refer to the Streamline X Technical Brochure.  
16 reels per pallet. Nominal pallet weight per pallet includes weight of pallet at 45 lbs.

# THINWALL DRIPLINES



<b>SLXF</b>	875	08	.16	-12
	Inside Diameter	Wall Thickness	Flow Code	Dripper Spacing

## ORDERING EXAMPLE

Streamline X 875, 8 mil wall thickness, 0.16 GPH flow rate, 12" dripper spacing

- Model Number: SLXF87508.16-12

**NEW**

## NOMINAL FLOW RATES

Based on 10 psi inlet

Flow Rate (GPH)	Flow Code
0.07	07
0.16	16
0.24	2
0.36	4

Substitute Flow Code listed above

## STREAMLINE™ X 875 SERIES

Call Netafim USA Customer Service for delivery timelines

(F)

Model Number	Description	Reel Length	Weight per Reel	Weight per Pallet	Price Per 1,000'	Price Per Reel
<b>6 Mil Wall Thickness - 0.875" Diameter</b>						
SLXF87506.X-08	8" dripper spacing	8,000'	60 lbs.	1,005 lbs.		
SLXF87506.X-10	10" dripper spacing	8,000'	60 lbs.	1,005 lbs.		
SLXF87506.X-12	12" dripper spacing	8,000'	60 lbs.	1,005 lbs.	Call for Quote	
SLXF87506.X-14	14" dripper spacing	8,000'	60 lbs.	1,005 lbs.		
SLXF87506.X-16	16" dripper spacing	8,000'	60 lbs.	1,005 lbs.		
SLXF87506.X-18	18" dripper spacing	8,000'	60 lbs.	1,005 lbs.		
<b>8 Mil Wall Thickness - 0.875" Diameter</b>						
SLXF87508.X-08	8" dripper spacing	6,000'	56 lbs.	941 lbs.		
SLXF87508.X-10	10" dripper spacing	6,000'	56 lbs.	941 lbs.		
SLXF87508.X-12	12" dripper spacing	6,000'	56 lbs.	941 lbs.	Call for Quote	
SLXF87508.X-14	14" dripper spacing	6,000'	56 lbs.	941 lbs.		
SLXF87508.X-16	16" dripper spacing	6,000'	56 lbs.	941 lbs.		
SLXF87508.X-18	18" dripper spacing	6,000'	56 lbs.	941 lbs.		
<b>10 Mil Wall Thickness - 0.875" Diameter</b>						
SLXF87510.X-08	8" dripper spacing	5,000'	59 lbs.	989 lbs.		
SLXF87510.X-10	10" dripper spacing	5,000'	59 lbs.	989 lbs.		
SLXF87510.X-12	12" dripper spacing	5,500'	65 lbs.	1,085 lbs.	Call for Quote	
SLXF87510.X-14	14" dripper spacing	5,500'	65 lbs.	1,085 lbs.		
SLXF87510.X-16	16" dripper spacing	5,500'	65 lbs.	1,085 lbs.		
SLXF87510.X-18	18" dripper spacing	5,500'	65 lbs.	1,085 lbs.		

NOTES: Streamline X is available with or without flap outlet protection. Flap recommended for subsurface row crop applications.

SLXF = Streamline X 875 Series with flap SLX = Streamline X 875 Series without flap  
For GPM per 100' pressure comparisons- refer to the Streamline X Technical Brochure.  
32 reels per pallet. Nominal pallet weight per pallet includes weight of pallet at 45 lbs.

## MADE TO ORDER PRODUCTS

Products listed in this Price List and not identified on the Quick Selection Guide for Commonly Sold Thinwall Driplines. Minimum order requirement is two (2) pallets or (32) reels.

## CUSTOM PRODUCTS

Products not listed in this Price List. Call Netafim USA Customer Service for quote and delivery timelines. Minimum order requirement is two (2) pallets or (32) reels. No returns on Custom Products.

**NOTE:** **MTO** (Made to Order) - considered products that are not MTS, in other words, not guaranteed to be in stock, and considered to be "Special Order" type products.

**MOQ** (Minimum Order Quantity) - designated products are products that are MTO and are subject to a minimum coil quantity.

# THINWALL DRIPLINES

## STREAMLINE™ X EZ - 875 SERIES (\*\*FORMERLY STREAMLINE X REGEN)

Call Netafim USA Customer Service for delivery timelines

(F)

**NEW**

Model Number	Description	Reel Length	Weight per Reel	Weight per Pallet	Price Per 1,000'	Price Per Reel
<b>EZ, 0.875" Diameter</b>						
SLX875EZ.07-08	8" dripper spacing	12,000'	77 lbs.	1,277 lbs.		Call for Quote
SLX875EZ.16-08	8" dripper spacing	12,000'	77 lbs.	1,277 lbs.		
SLX875EZ.16-10	10" dripper spacing	12,000'	76 lbs.	1,261 lbs.		Call for Quote
SLX875EZ.16-12	12" dripper spacing	12,000'	75 lbs.	1,245 lbs.		
SLX875EZ.2-08	8" dripper spacing	12,000'	77 lbs.	1,277 lbs.		
SLX875EZ.2-10	10" dripper spacing	12,000'	76 lbs.	1,261 lbs.		Call for Quote
SLX875EZ.2-12	12" dripper spacing	12,000'	75 lbs.	1,245 lbs.		

### MADE TO ORDER PRODUCTS

Products listed in this Price List and not identified on the Quick Selection Guide for Commonly Sold Thinwall Driplines. Minimum order requirement is two (2) pallets or (32) reels.

### CUSTOM PRODUCTS

Products not listed in this Price List. Call Netafim USA Customer Service for quote and delivery timelines. Minimum order requirement is two (2) pallets or (32) reels. No returns on Custom Products.

**NOTE:** **MTO** (Made to Order) - considered products that are not MTS, in other words, not guaranteed to be in stock, and considered to be "Special Order" type products.

**MOQ** (Minimum Order Quantity) - designated products are products that are MTO and are subject to a minimum coil quantity.

## PIONEERLINE™ - PC AND X

Call Netafim USA Customer Service for delivery timelines

Model Number	Description	Reel Length	Weight per Reel	Weight per Pallet	Price Per 1,000'	Price Per Reel
<b>PioneerLine PC 15 Mil Wall Thickness</b>						
PLPCA63615.16-12	636 015 0.16 GPH 12"	3200'	44 lbs.	573 lbs.		Call for Quote
PLPCA87515.16-12	875 015 0.16 GPH 12"	2800'	53 lbs.	681 lbs.		
<b>PioneerLine X 8 Mil Wall Thickness</b>						
PLXF63808.16-12	638 008 0.16 GPH 12"	9000'	61 lbs.	1021 lbs.		
PLXF87508.16-12	875 008 0.16 GPH 12"	6000'	56 lbs.	941 lbs.		
PLXF63810.16-12	638 010 0.16 GPH 12"	7500'	65 lbs.	1085 lbs.		Call for Quote
PLXF87510.16-12	875 010 0.16 GPH 12"	5500'	65 lbs.	1085 lbs.		
PLXF63808.2-12	638 008 0.20 GPH 12"	9000'	61 lbs.	1021 lbs.		



# THINWALL DRIPLINES



<b>TPF638</b>	08	.16	-18
	Wall Thickness	Flow Code	Dripper Spacing

## ORDERING EXAMPLE

Typhoon Plus 638, 8 mil wall thickness, 0.16 GPH flow rate, 18" dripper spacing

- Model Number: TPF6388.16-18

## NOMINAL FLOW RATES

Based on 10 psi inlet

Flow Rate (GPH)	Flow Code
0.11	.10
0.16	.16
0.22	.2
0.36	.4
0.49	.5

Substitute Flow Code listed above for X in the Model Number.

## TYPHOON™ PLUS 638 SERIES

Call Netafim USA Customer Service for delivery timelines

(A)

Model Number	Description	Reel Length	Weight per Reel	Weight per Pallet	Price Per 1,000'	Price Per Reel
<b>8 Mil Wall Thickness - 0.638" Diameter</b>						
TPF63808.X-08	8" dripper spacing	8,000'	59 lbs.	989 lbs.	Call for Quote	
TPF63808.X-10	10" dripper spacing	8,000'	59 lbs.	989 lbs.		
TPF63808.X-12	12" dripper spacing	8,200'	60 lbs.	1,005 lbs.		
TPF63808.X-14	14" dripper spacing	8,200'	60 lbs.	1,005 lbs.		
TPF63808.X-16	16" dripper spacing	8,200'	60 lbs.	1,005 lbs.		
TPF63808.X-18	18" dripper spacing	8,200'	60 lbs.	1,005 lbs.		
TPF63808.X-24	24" dripper spacing	8,200'	60 lbs.	1,005 lbs.		
<b>10 Mil Wall Thickness - 0.638" Diameter</b>						
TPF63810.X-8	8" dripper spacing	6,300'	58 lbs.	957 lbs.	Call for Quote	
TPF63810.X-10	10" dripper spacing	6,300'	58 lbs.	957 lbs.		
TPF63810.X-12	12" dripper spacing	6,600'	59 lbs.	989 lbs.		
TPF63810.X-14	14" dripper spacing	6,600'	59 lbs.	989 lbs.		
TPF63810.X-16	16" dripper spacing	6,600'	59 lbs.	989 lbs.		
TPF63810.X-18	18" dripper spacing	6,600'	59 lbs.	989 lbs.		
TPF63810.X-24	24" dripper spacing	6,600'	59 lbs.	989 lbs.		
TPF63810.X-36	36" dripper spacing	6,600'	59 lbs.	989 lbs.		
<b>13 Mil Wall Thickness - 0.638" Diameter</b>						
TPF63813.X-8	8" dripper spacing	5,000'	58 lbs.	973 lbs.	Call for Quote	
TPF63813.X-10	10" dripper spacing	5,000'	58 lbs.	973 lbs.		
TPF63813.X-12	12" dripper spacing	5,300'	58 lbs.	973 lbs.		
TPF63813.X-14	14" dripper spacing	5,300'	58 lbs.	973 lbs.		
TPF63813.X-16	16" dripper spacing	5,300'	58 lbs.	973 lbs.		
TPF63813.X-18	18" dripper spacing	5,300'	58 lbs.	973 lbs.		
TPF63813.X-20	20" dripper spacing	5,300'	58 lbs.	973 lbs.		
TPF63813.X-24	24" dripper spacing	5,300'	58 lbs.	973 lbs.		
TPF63813.X-27	27" dripper spacing	5,300'	58 lbs.	973 lbs.		
TPF63813.X-30	30" dripper spacing	5,300'	58 lbs.	973 lbs.		
TPF63813.X-36	36" dripper spacing	5,300'	58 lbs.	973 lbs.		

NOTES: Typhoon Plus is available with or without flap outlet protection. Flap recommended for subsurface row crop applications.

TPF = Typhoon Plus 638 Series with flap TP = Typhoon Plus 638 Series without flap  
For GPM per 100' pressure comparisons- refer to the Typhoon Plus Technical Brochure.  
16 reels per pallet. Nominal pallet weight per pallet includes weight of pallet at 45 lbs.

## MADE TO ORDER PRODUCTS

Products listed in this Price List and not identified on the Quick Selection Guide for Commonly Sold Thinwall Driplines. Minimum order requirement is two (2) pallets or (32) reels.

## CUSTOM PRODUCTS

Products not listed in this Price List. Call Netafim USA Customer Service for quote and delivery timelines. Minimum order requirement is two (2) pallet or (32) reels. No returns on Custom Products.

# THINWALL DRIPLINES

## TYPHOON™ PLUS 638 SERIES

Call Netafim USA Customer Service for delivery timelines

(A)

Model Number	Description	Reel Length	Weight per Reel	Weight per Pallet	Price Per 1,000'	Price Per Reel
<b>15 Mil Wall Thickness - 0.638" Diameter</b>						
TPF63815.X-8	8" dripper spacing	4,000'	58 lbs.	973 lbs.		
TPF63815.X-10	10" dripper spacing	4,000'	58 lbs.	973 lbs.		
TPF63815.X-12	12" dripper spacing	4,300'	57 lbs.	957 lbs.		
TPF63815.X-14	14" dripper spacing	4,300'	57 lbs.	957 lbs.		
TPF63815.X-16	16" dripper spacing	4,300'	57 lbs.	957 lbs.	Call for Quote	
TPF63815.X-18	18" dripper spacing	4,300'	57 lbs.	957 lbs.		
TPF63815.X-20	20" dripper spacing	4,300'	57 lbs.	957 lbs.		
TPF63815.X-24	24" dripper spacing	4,300'	57 lbs.	957 lbs.		
TPF63815.X-27	27" dripper spacing	4,300'	57 lbs.	957 lbs.		
TPF63815.X-30	30" dripper spacing	4,300'	57 lbs.	957 lbs.		

NOTES: Typhoon Plus is available with or without flap outlet protection. Flap recommended for subsurface row crop applications.

TPF = Typhoon Plus 638 Series with flap TP = Typhoon Plus 638 Series without flap

For GPM per 100' pressure comparisons- refer to the Typhoon Plus Technical Brochure.

16 reels per pallet. Nominal pallet weight per pallet includes weight of pallet at 45 lbs.

### MADE TO ORDER PRODUCTS

Products listed in this Price List and not identified on the Quick Selection Guide for Commonly Sold Thinwall Driplines. Minimum order requirement is two (2) pallets or (32) reels.

### CUSTOM PRODUCTS

Products not listed in this Price List. Call Netafim USA Customer Service for quote and delivery timelines.

Minimum order requirement is two (2) pallets or (32) reels. No returns on Custom Products.

**NOTE:** **MTO** (Made to Order) - considered products that are not MTS, in other words, not guaranteed to be in stock, and considered to be "Special Order" type products.

**MOQ** (Minimum Order Quantity) - designated products are products that are MTO and are subject to a minimum coil quantity.

# THINWALL DRIPLINES



**TPF875**

10	.16	-18
Wall Thickness	Flow Code	Dripper Spacing

**ORDERING EXAMPLE**

Typhoon Plus 875, 10 mil wall thickness, 0.16 GPH flow rate, 18" dripper spacing

- Model Number: TPF87510.16-18

**NOMINAL FLOW RATES**

Based on 10 psi inlet

Flow Rate (GPH)	Flow Code
0.11	.10
0.16	.16
0.22	.2
0.36	.4
0.49	.5

Substitute Flow Code listed above for X in the Model Number.

**TYPHOON™ PLUS 875 SERIES**

Call Netafim USA Customer Service for delivery timelines

(A)

Model Number	Description	Reel Length	Weight per Reel	Weight per Pallet	Price Per 1,000'	Price Per Reel
<b>8 Mil Wall Thickness - 0.875" Diameter</b>						
TPF87508.X-08	8" dripper spacing	6,000'	59 lbs.	989 lbs.		
TPF87508.X-10	10" dripper spacing	6,000'	59 lbs.	989 lbs.		
TPF87508.X-12	12" dripper spacing	6,200'	61 lbs.	1,021 lbs.		
TPF87508.X-14	14" dripper spacing	6,200'	61 lbs.	1,021 lbs.	Call for Quote	
TPF87508.X-16	16" dripper spacing	6,200'	61 lbs.	1,021 lbs.		
TPF87508.X-18	18" dripper spacing	6,200'	61 lbs.	1,021 lbs.		
TPF87508.X-24	24" dripper spacing	6,200'	61 lbs.	1,021 lbs.		
<b>10 Mil Wall Thickness - 0.875" Diameter</b>						
TPF87510.X-8	8" dripper spacing	4,600'	57 lbs.	957 lbs.		
TPF87510.X-10	10" dripper spacing	4,600'	57 lbs.	957 lbs.		
TPF87510.X-12	12" dripper spacing	5,000'	60 lbs.	1,005 lbs.		
TPF87510.X-14	14" dripper spacing	5,000'	60 lbs.	1,005 lbs.	Call for Quote	
TPF87510.X-16	16" dripper spacing	5,000'	60 lbs.	1,005 lbs.		
TPF87510.X-18	18" dripper spacing	5,000'	60 lbs.	1,005 lbs.		
TPF87510.X-24	24" dripper spacing	5,000'	60 lbs.	1,005 lbs.		
TPF87510.X-36	36" dripper spacing	5,000'	60 lbs.	1,005 lbs.		
<b>13 Mil Wall Thickness - 0.875" Diameter</b>						
TPF87513.X-8	8" dripper spacing	3,600'	59 lbs.	989 lbs.		
TPF87513.X-10	10" dripper spacing	3,600'	59 lbs.	989 lbs.		
TPF87513.X-12	12" dripper spacing	3,600'	60 lbs.	1,005 lbs.		
TPF87513.X-14	14" dripper spacing	3,600'	60 lbs.	1,005 lbs.		
TPF87513.X-16	16" dripper spacing	3,600'	60 lbs.	1,005 lbs.		
TPF87513.X-18	18" dripper spacing	3,600'	60 lbs.	1,005 lbs.	Call for Quote	
TPF87513.X-20	20" dripper spacing	3,600'	60 lbs.	1,005 lbs.		
TPF87513.X-24	24" dripper spacing	3,600'	60 lbs.	1,005 lbs.		
TPF87513.X-27	27" dripper spacing	3,600'	60 lbs.	1,005 lbs.		
TPF87513.X-30	30" dripper spacing	3,600'	60 lbs.	1,005 lbs.		
TPF87513.X-36	36" dripper spacing	3,600'	60 lbs.	1,005 lbs.		

NOTES: Typhoon Plus is available with or without flap outlet protection. Flap recommended for subsurface row crop applications.

TPF = Typhoon Plus 875 Series with flap TP = Typhoon Plus 875 Series without flap  
 For GPM per 100' pressure comparisons- refer to the Typhoon Plus Technical Brochure.  
 16 reels per pallet. Nominal pallet weight per pallet includes weight of pallet at 45 lbs.

**MADE TO ORDER PRODUCTS**

Products listed in this Price List and not identified on the Quick Selection Guide for Commonly Sold Thinwall Driplines. Minimum order requirement is two (2) pallets or (32) reels.

**CUSTOM PRODUCTS**

Products not listed in this Price List. Call Netafim USA Customer Service for quote and delivery timelines. Minimum order requirement is two (2) pallets or (32) reels. No returns on Custom Products.

# THINWALL DRIPLINES

## TYPHOON™ PLUS 875 SERIES

Call Netafim USA Customer Service for delivery timelines

(A)

Model Number	Description	Reel Length	Weight per Reel	Weight per Pallet	Price Per 1,000'	Price Per Reel
<b>15 Mil Wall Thickness - 0.875" Diameter</b>						
TPF87515.X-8	8" dripper spacing	3,300'	61 lbs.	1,021 lbs.		
TPF87515.X-10	10" dripper spacing	3,300'	61 lbs.	1,021 lbs.		
TPF87515.X-12	12" dripper spacing	3,300'	60 lbs.	1,005 lbs.		
TPF87515.X-14	14" dripper spacing	3,300'	60 lbs.	1,005 lbs.		
TPF87515.X-16	16" dripper spacing	3,300'	60 lbs.	1,005 lbs.	Call for Quote	
TPF87515.X-18	18" dripper spacing	3,300'	60 lbs.	1,005 lbs.		
TPF87515.X-20	20" dripper spacing	3,300'	60 lbs.	1,005 lbs.		
TPF87515.X-24	24" dripper spacing	3,300'	60 lbs.	1,005 lbs.		
TPF87515.X-27	27" dripper spacing	3,300'	60 lbs.	1,005 lbs.		
TPF87515.X-30	30" dripper spacing	3,300'	60 lbs.	1,005 lbs.		

NOTES: Typhoon Plus is available with or without flap outlet protection. Flap recommended for subsurface row crop applications.

TPF = Typhoon Plus 875 Series with flap TP = Typhoon Plus 875 Series without flap  
For GPM per 100' pressure comparisons- refer to the Typhoon Plus Technical Brochure.  
16 reels per pallet. Nominal pallet weight per pallet includes weight of pallet at 45 lbs.

### MADE TO ORDER PRODUCTS

Products listed in this Price List and not identified on the Quick Selection Guide for Commonly Sold Thinwall Driplines. Minimum order requirement is two (2) pallets or (32) reels.

### CUSTOM PRODUCTS

Products not listed in this Price List. Call Netafim USA Customer Service for quote and delivery timelines. Minimum order requirement is two (2) pallets or (32) reels. No returns on Custom Products.

**NOTE:** **MTO** (Made to Order) - considered products that are not MTS, in other words, not guaranteed to be in stock, and considered to be "Special Order" type products.

**MOQ** (Minimum Order Quantity) - designated products are products that are MTO and are subject to a minimum coil quantity.



# THINWALL DRIPLINES



<b>TPF990</b>	13	.16	-18
	Wall Thickness	Flow Code	Dripper Spacing

### ORDERING EXAMPLE

Typhoon Plus 990, 13 mil wall thickness, 0.16 GPH flow rate, 18" dripper spacing

- Model Number: TPF99013.16-18

### NOMINAL FLOW RATES

Based on 10 psi inlet

Flow Rate (GPH)	Flow Code
0.11	.10
0.16	.16
0.22	.2
0.36	.4
0.49	.5

Substitute Flow Code listed above for **X** in the Model Number.

## TYPHOON™ PLUS 990 SERIES

Call Netafim USA Customer Service for delivery timelines



Model Number	Description	Reel Length	Weight per Reel	Weight per Pallet	Price Per 1,000'	Price Per Reel
<b>13 Mil Wall Thickness - 0.990" Diameter</b>						
TPF99013.X-12	12" dripper spacing	3,300'	60 lbs.	1,005 lbs.	Call for Quote	
TPF99013.X-14	14" dripper spacing	3,300'	60 lbs.	1,005 lbs.		
TPF99013.X-16	16" dripper spacing	3,300'	60 lbs.	1,005 lbs.		
TPF99013.X-18	18" dripper spacing	3,300'	60 lbs.	1,005 lbs.		
TPF99013.X-20	20" dripper spacing	3,300'	60 lbs.	1,005 lbs.		
TPF99013.X-24	24" dripper spacing	3,300'	60 lbs.	1,005 lbs.		
TPF99013.X-36	36" dripper spacing	3,300'	60 lbs.	1,005 lbs.		
<b>15 Mil Wall Thickness - 0.990" Diameter</b>						
TPF99015.X-12	12" dripper spacing	3,000'	60 lbs.	1,005 lbs.	Call for Quote	
TPF99015.X-14	14" dripper spacing	3,000'	60 lbs.	1,005 lbs.		
TPF99015.X-16	16" dripper spacing	3,000'	60 lbs.	1,005 lbs.		
TPF99015.X-18	18" dripper spacing	3,000'	60 lbs.	1,005 lbs.		
TPF99015.X-20	20" dripper spacing	3,000'	60 lbs.	1,005 lbs.		
TPF99015.X-24	24" dripper spacing	3,000'	60 lbs.	1,005 lbs.		
TPF99015.X-36	36" dripper spacing	3,000'	60 lbs.	1,005 lbs.		

NOTES: Typhoon Plus is available with or without flap outlet protection. Flap recommended for subsurface row crop applications.

TPF = Typhoon Plus 990 Series with flap TP = Typhoon Plus 990 Series without flap

For GPM per 100' pressure comparisons- refer to the Typhoon Plus Technical Brochure.

16 reels per pallet. Nominal pallet weight per pallet includes weight of pallet at 45 lbs.

### MADE TO ORDER PRODUCTS

Products listed in this Price List and not identified on the Quick Selection Guide for Commonly Sold Thinwall Driplines. Minimum order requirement is two (2) pallets or (32) reels.

### CUSTOM PRODUCTS

Products not listed in this Price List. Call Netafim USA Customer Service for quote and delivery timelines.

Minimum order requirement is two (2) pallets or (32) reels. No returns on Custom Products.

**NOTE:** **MTO** (Made to Order) - considered products that are not MTS, in other words, not guaranteed to be in stock, and considered to be "Special Order" type products.

**MOQ** (Minimum Order Quantity) - designated products are products that are MTO and are subject to a minimum coil quantity.

# THINWALL DRIPLINES



<b>TPF113</b> OR <b>TPF138</b>	<b>15</b>	<b>.16</b>	<b>-24</b>
	<b>Wall Thickness</b>	<b>Flow Code</b>	<b>Dripper Spacing</b>

## ORDERING EXAMPLE

Typhoon Plus 1 1/8 or 1 3/8, 15 mil wall thickness, 0.16 GPH flow rate, 24" dripper spacing

- Model Number: TPF11315.16-24 or
- Model Number: TPF13815.16-24

## NOMINAL FLOW RATES

Based on 10 psi inlet

Flow Rate (GPH)	Flow Code
0.11	.10
0.16	.16
0.22	.2
0.36	.4
0.49	.5

Substitute Flow Code listed above for **X** in the Model Number.

## TYPHOON™ PLUS 1 1/8 SERIES

Call Netafim USA Customer Service for delivery timelines (A)

Model Number	Description	Reel Length	Weight per Reel	Weight per Pallet	Price Per 1,000'	Price Per Reel
<b>13 Mil Wall Thickness - 1.125" Diameter</b>						
TPF11313.X-12	12" dripper spacing	3,300'	58 lbs.	973 lbs.		
TPF11313.X-14	14" dripper spacing	3,300'	58 lbs.	973 lbs.		
TPF11313.X-16	16" dripper spacing	3,300'	58 lbs.	973 lbs.		
TPF11313.X-18	18" dripper spacing	3,300'	58 lbs.	973 lbs.		Call for Quote
TPF11313.X-20	20" dripper spacing	3,300'	58 lbs.	973 lbs.		
TPF11313.X-24	24" dripper spacing	3,300'	58 lbs.	973 lbs.		
TPF11313.X-36	36" dripper spacing	3,300'	58 lbs.	973 lbs.		
<b>15 Mil Wall Thickness - 1.125" Diameter</b>						
TPF11315.X-12	12" dripper spacing	2,700'	64 lbs.	1,069 lbs.		
TPF11315.X-14	14" dripper spacing	2,700'	64 lbs.	1,069 lbs.		
TPF11315.X-16	16" dripper spacing	2,700'	64 lbs.	1,069 lbs.		Call for Quote
TPF11315.X-18	18" dripper spacing	2,700'	64 lbs.	1,069 lbs.		
TPF11315.X-20	20" dripper spacing	2,700'	64 lbs.	1,069 lbs.		
TPF11315.X-24	24" dripper spacing	2,700'	64 lbs.	1,069 lbs.		

## TYPHOON™ PLUS 1 3/8" SERIES

Call Netafim USA Customer Service for delivery timelines (A)

Model Number	Description	Reel Length	Weight per Reel	Weight per Pallet	Price Per 1,000'	Price Per Reel
<b>15 Mil Wall Thickness - 1.375" Diameter</b>						
TPF13815.X-12	12" dripper spacing	2,700'	77 lbs.	969 lbs.		
TPF13815.X-14	14" dripper spacing	2,700'	77 lbs.	969 lbs.		Call for Quote
TPF13815.X-24	24" dripper spacing	2,700'	77 lbs.	969 lbs.		

NOTES: Typhoon Plus is available with or without flap outlet protection. Flap recommended for subsurface row crop applications.  
 TPF = Typhoon Plus 1 1/8" and 1 3/8" Series with flap TP = Typhoon Plus 1 1/8" and 1 3/8" Series without flap  
 For GPM per 100' pressure comparisons- refer to the Typhoon Plus Technical Brochure.  
 Typhoon 1 1/8" - 16 reels per pallet. Typhoon Plus 1 3/8" - 12 reels per pallet.  
 Nominal pallet weight per pallet includes weight of pallet at 45 lbs.

### MADE TO ORDER PRODUCTS

Products listed in this Price List and not identified on the Quick Selection Guide for Commonly Sold Thinwall Driplines. Minimum order requirement is two (2) pallets or (24 or 32) reels.

### CUSTOM PRODUCTS

Products not listed in this Price List. Call Netafim USA Customer Service for quote and delivery timelines. Minimum order requirement is two (2) pallets or (24 or 32) reels. No returns on Custom Products.

# THINWALL DRIPLINES



<b>ARF638</b>	13	.18	-18
	Wall Thickness	Flow Code	Dripper Spacing

### ORDERING EXAMPLE

Aries 638, 13 mil wall thickness, 0.18 GPH flow rate, 18" dripper spacing

- Model Number: ARF63813.18-18

### NOMINAL FLOW RATES

Based on 10 psi inlet

Flow Rate (GPH)	Flow Code
0.11	.1
0.18	.18
0.21	.2
0.30	.3
0.41	.4
0.62	.6

Substitute Flow Code listed above for **X** in the Model Number.

## ARIES™ 638 SERIES

Call Netafim USA Customer Service for delivery timelines

(A)

Model Number	Description	Reel Length	Weight per Reel	Weight per Pallet	Price Per 1,000'	Price Per Reel
<b>13 Mil Wall Thickness - 0.638" Diameter</b>						
ARF63813.X-12	12" dripper spacing	3,600'	47 lbs.	797 lbs.	Call for Quote	
ARF63813.X-14	14" dripper spacing	3,600'	47 lbs.	797 lbs.		
ARF63813.X-16	16" dripper spacing	3,600'	47 lbs.	797 lbs.		
ARF63813.X-18	18" dripper spacing	3,600'	47 lbs.	797 lbs.		
ARF63813.X-20	20" dripper spacing	3,600'	47 lbs.	797 lbs.		
ARF63813.X-24	24" dripper spacing	3,600'	47 lbs.	797 lbs.		
ARF63813.X-27	27" dripper spacing	3,600'	47 lbs.	797 lbs.		
ARF63813.X-30	30" dripper spacing	3,600'	47 lbs.	797 lbs.		
ARF63813.X-36	36" dripper spacing	3,600'	47 lbs.	797 lbs.		
<b>15 Mil Wall Thickness - 0.638" Diameter</b>						
ARF63815.X-12	12" dripper spacing	3,300'	47 lbs.	797 lbs.	Call for Quote	
ARF63815.X-14	14" dripper spacing	3,300'	47 lbs.	797 lbs.		
ARF63815.X-16	16" dripper spacing	3,300'	47 lbs.	797 lbs.		
ARF63815.X-18	18" dripper spacing	3,300'	47 lbs.	797 lbs.		
ARF63815.X-20	20" dripper spacing	3,300'	47 lbs.	797 lbs.		
ARF63815.X-24	24" dripper spacing	3,300'	47 lbs.	797 lbs.		
ARF63815.X-27	27" dripper spacing	3,300'	47 lbs.	797 lbs.		
ARF63815.X-30	30" dripper spacing	3,300'	47 lbs.	797 lbs.		
ARF63815.X-36	36" dripper spacing	3,300'	47 lbs.	797 lbs.		

NOTES: Aries is available with or without flap outlet protection. Flap recommended for subsurface row crop applications.

ARF = Aries 638 Series with flap AR = Aries 638 Series without flap

For GPM per 100' pressure comparisons- refer to the Aries Technical Brochure.

16 reels per pallet. Nominal pallet weight per pallet includes weight of pallet at 45 lbs.

### MADE TO ORDER PRODUCTS

Products listed in this Price List and not identified on the Quick Selection Guide for Commonly Sold Thinwall Driplines. Minimum order requirement is two (2) pallets or (32) reels.

### CUSTOM PRODUCTS

Products not listed in this Price List. Call Netafim USA Customer Service for quote and delivery timelines. Minimum order requirement is two (2) pallets or (32) reels. No returns on Custom Products.

**NOTE: MTO** (Made to Order) - considered products that are not MTS, in other words, not guaranteed to be in stock, and considered to be "Special Order" type products.

**MOQ** (Minimum Order Quantity) - designated products are products that are MTO and are subject to a minimum coil quantity.

# THINWALL DRIPLINES



<b>ARF875</b>	15	.2	-18
	Wall Thickness	Flow Code	Dripper Spacing

## ORDERING EXAMPLE

Aries 875, 15 mil wall thickness, 0.21 GPH flow rate, 18" dripper spacing

- Model Number: ARF87515.2-18

## NOMINAL FLOW RATES

Based on 10 psi inlet

Flow Rate (GPH)	Flow Code
0.11	.1
0.18	.18
0.21	.2
0.30	.3
0.41	.4
0.62	.6

Substitute Flow Code listed above for **X** in the Model Number.

## ARIES™ 875 SERIES

Call Netafim USA Customer Service for delivery timelines

(A)

Model Number	Description	Reel Length	Weight per Reel	Weight per Pallet	Price Per 1,000'	Price Per Reel
<b>13 Mil Wall Thickness - 0.875" Diameter</b>						
ARF87513.X-12	12" dripper spacing	3,000'	51 lbs.	861 lbs.	Call for Quote	
ARF87513.X-14	14" dripper spacing	3,000'	51 lbs.	861 lbs.		
ARF87513.X-16	16" dripper spacing	3,000'	51 lbs.	861 lbs.		
ARF87513.X-18	18" dripper spacing	3,000'	51 lbs.	861 lbs.		
ARF87513.X-20	20" dripper spacing	3,000'	51 lbs.	861 lbs.		
ARF87513.X-24	24" dripper spacing	3,000'	51 lbs.	861 lbs.		
ARF87513.X-27	27" dripper spacing	3,000'	51 lbs.	861 lbs.		
ARF87513.X-30	30" dripper spacing	3,000'	51 lbs.	861 lbs.		
ARF87513.X-36	36" dripper spacing	3,000'	51 lbs.	861 lbs.		
<b>15 Mil Wall Thickness - 0.875" Diameter</b>						
ARF87515.X-12	12" dripper spacing	2,700'	51 lbs.	861 lbs.	Call for Quote	
ARF87515.X-14	14" dripper spacing	2,700'	51 lbs.	861 lbs.		
ARF87515.X-16	16" dripper spacing	2,700'	51 lbs.	861 lbs.		
ARF87515.X-18	18" dripper spacing	2,700'	51 lbs.	861 lbs.		
ARF87515.X-20	20" dripper spacing	2,700'	51 lbs.	861 lbs.		
ARF87515.X-24	24" dripper spacing	2,700'	51 lbs.	861 lbs.		
ARF87515.X-27	27" dripper spacing	2,700'	51 lbs.	861 lbs.		
ARF87515.X-30	30" dripper spacing	2,700'	51 lbs.	861 lbs.		
ARF87515.X-36	36" dripper spacing	2,700'	51 lbs.	861 lbs.		

NOTES: Aries is available with or without flap outlet protection. Flap recommended for subsurface row crop applications.

ARF = Aries 875 Series with flap AR = Aries 875 Series without flap

For GPM per 100' pressure comparisons- refer to the Aries Technical Brochure.

16 reels per pallet. Nominal pallet weight per pallet includes weight of pallet at 45 lbs.

## MADE TO ORDER PRODUCTS

Products listed in this Price List and not identified on the Quick Selection Guide for Commonly Sold Thinwall Driplines. Minimum order requirement is two (2) pallets or (32) reels.

## CUSTOM PRODUCTS

Products not listed in this Price List. Call Netafim USA Customer Service for quote and delivery timelines.

Minimum order requirement is two (2) pallets or (32) reels. No returns on Custom Products.

**NOTE:** **MTO** (Made to Order) - considered products that are not MTS, in other words, not guaranteed to be in stock, and considered to be "Special Order" type products.

**MOQ** (Minimum Order Quantity) - designated products are products that are MTO and are subject to a minimum coil quantity.

# THINWALL DRIPLINES



<b>ARF990</b>	13	.18	-18
	Wall Thickness	Flow Code	Dripper Spacing

### ORDERING EXAMPLE

Aries 990, 13 mil wall thickness, 0.18 GPH flow rate, 18" dripper spacing

- Model Number: ARF99013.18-18

### NOMINAL FLOW RATES

Based on 10 psi inlet

Flow Rate (GPH)	Flow Code
0.11	.1
0.18	.18
0.21	.2
0.30	.3
0.41	.4
0.62	.6

Substitute Flow Code listed above for **X** in the Model Number.

## ARIES™ 990 SERIES

Call Netafim USA Customer Service for delivery timelines

(A)

Model Number	Description	Reel Length	Weight per Reel	Weight per Pallet	Price Per 1,000'	Price Per Reel
<b>13 Mil Wall Thickness - 0.990" Diameter</b>						
ARF99013.X-12	12" dripper spacing	3,000'	52 lbs.	877 lbs.	Call for Quote	
ARF99013.X-14	14" dripper spacing	3,000'	52 lbs.	877 lbs.		
ARF99013.X-16	16" dripper spacing	3,000'	52 lbs.	877 lbs.		
ARF99013.X-18	18" dripper spacing	3,000'	52 lbs.	877 lbs.		
ARF99013.X-20	20" dripper spacing	3,000'	52 lbs.	877 lbs.		
ARF99013.X-24	24" dripper spacing	3,000'	52 lbs.	877 lbs.		
ARF99013.X-27	27" dripper spacing	3,000'	52 lbs.	877 lbs.		
ARF99013.X-30	30" dripper spacing	3,000'	52 lbs.	877 lbs.		
ARF99013.X-36	36" dripper spacing	3,000'	52 lbs.	877 lbs.		
<b>15 Mil Wall Thickness - 0.990" Diameter</b>						
ARF99015.X-12	12" dripper spacing	2,700'	48 lbs.	813 lbs.	Call for Quote	
ARF99015.X-14	14" dripper spacing	2,700'	48 lbs.	813 lbs.		
ARF99015.X-16	16" dripper spacing	2,700'	48 lbs.	813 lbs.		
ARF99015.X-18	18" dripper spacing	2,700'	48 lbs.	813 lbs.		
ARF99015.X-20	20" dripper spacing	2,700'	48 lbs.	813 lbs.		
ARF99015.X-24	24" dripper spacing	2,700'	48 lbs.	813 lbs.		
ARF99015.X-27	27" dripper spacing	2,700'	48 lbs.	813 lbs.		
ARF99015.X-30	30" dripper spacing	2,700'	48 lbs.	813 lbs.		
ARF99015.X-36	36" dripper spacing	2,700'	48 lbs.	813 lbs.		

NOTES: Aries is available with or without flap outlet protection. Flap recommended for subsurface row crop applications.

ARF = Aries 990 Series with flap AR = Aries 990 Series without flap

For GPM per 100' pressure comparisons- refer to the Aries Technical Brochure.

16 reels per pallet. Nominal pallet weight per pallet includes weight of pallet at 45 lbs.

### MADE TO ORDER PRODUCTS

Products listed in this Price List and not identified on the Quick Selection Guide for Commonly Sold Thinwall Driplines. Minimum order requirement is two (2) pallets or (32) reels.

### CUSTOM PRODUCTS

Products not listed in this Price List. Call Netafim USA Customer Service for quote and delivery timelines.

Minimum order requirement is two (2) pallets or (32) reels. No returns on Custom Products.

**NOTE:** **MTO** (Made to Order) - considered products that are not MTS, in other words, not guaranteed to be in stock, and considered to be "Special Order" type products.

**MOQ** (Minimum Order Quantity) - designated products are products that are MTO and are subject to a minimum coil quantity.

# THINWALL DRIPLINES



<b>ARF113</b> OR <b>ARF138</b>	15	.3	-24
	Wall Thickness	Flow Code	Dripper Spacing

## ORDERING EXAMPLE

Aries 1 1/8 or 1 3/8, 15 mil wall thickness, 0.30 GPH flow rate, 24" dripper spacing

- Model Number: ARF11315.3-24 or
- Model Number: ARF13815.3-24

## NOMINAL FLOW RATES

Based on 10 psi inlet

Flow Rate (GPH)	Flow Code
0.11	.1
0.18	.18
0.21	.2
0.30	.3
0.41	.4
0.62	.6

Substitute Flow Code listed above for **X** in the Model Number.

## ARIES™ 1 1/8" SERIES

Call Netafim USA Customer Service for delivery timelines <sup>(A)</sup>

Model Number	Description	Reel Length	Weight per Reel	Weight per Pallet	Price Per 1,000'	Price Per Reel
<b>15 Mil Wall Thickness - 1.125" Diameter</b>						
ARF11315.X-12	12" dripper spacing	2,300'	52 lbs.	669 lbs.		
ARF11315.X-14	14" dripper spacing	2,300'	52 lbs.	669 lbs.		
ARF11315.X-16	16" dripper spacing	2,300'	52 lbs.	669 lbs.		
ARF11315.X-18	18" dripper spacing	2,300'	52 lbs.	669 lbs.		
ARF11315.X-20	20" dripper spacing	2,300'	52 lbs.	669 lbs.	Call for Quote	
ARF11315.X-24	24" dripper spacing	2,300'	51 lbs.	669 lbs.		
ARF11315.X-27	27" dripper spacing	2,300'	52 lbs.	669 lbs.		
ARF11315.X-30	30" dripper spacing	2,300'	52 lbs.	669 lbs.		
ARF11315.X-36	36" dripper spacing	2,300'	52 lbs.	669 lbs.		

## ARIES™ 1 3/8" SERIES

Call Netafim USA Customer Service for delivery timelines <sup>(A)</sup>

Model Number	Description	Reel Length	Weight per Reel	Weight per Pallet	Price Per 1,000'	Price Per Reel
<b>15 Mil Wall Thickness - 1.375" Diameter</b>						
ARF13815.X-12	12" dripper spacing	2,700'	71 lbs.	897 lbs.		
ARF13815.X-14	14" dripper spacing	2,700'	71 lbs.	897 lbs.		
ARF13815.X-16	16" dripper spacing	2,700'	71 lbs.	897 lbs.		
ARF13815.X-18	18" dripper spacing	2,700'	71 lbs.	897 lbs.		
ARF13815.X-20	20" dripper spacing	2,700'	71 lbs.	897 lbs.	Call for Quote	
ARF13815.X-24	24" dripper spacing	2,700'	71 lbs.	897 lbs.		
ARF13815.X-27	27" dripper spacing	2,700'	71 lbs.	897 lbs.		
ARF13815.X-30	30" dripper spacing	2,700'	71 lbs.	897 lbs.		
ARF13815.X-36	36" dripper spacing	2,700'	71 lbs.	897 lbs.		

NOTES: Aries is available with or without flap outlet protection. Flap recommended for subsurface row crop applications.

ARF = Aries 1 1/8" or 1 3/8" Series with flap AR = Aries 1 1/8" or 1 3/8" Series without flap

For GPM per 100' pressure comparisons- refer to the Aries Technical Brochure.

12 reels per pallet. Nominal pallet weight per pallet includes weight of pallet at 45 lbs.

## MADE TO ORDER PRODUCTS

Products listed in this Price List and not identified on the Quick Selection Guide for Commonly Sold Thinwall Driplines. Minimum order requirement is two (2) pallets or (24) reels.

## CUSTOM PRODUCTS

Products not listed in this Price List. Call Netafim USA Customer Service for quote and delivery timelines.

Minimum order requirement is two (2) pallets or (24) reels. No returns on Custom Products.

# THINWALL DRIPLINES



06D, 06D, 06DA OR 06DA	636	13	.16	-12
	Inside Diameter	Wall Thickness	Flow Code	Dripper Spacing

### ORDERING EXAMPLE

DripNet PC, .636" ID, 13 mil wall thickness, 0.16 GPH flow rate, 12" dripper spacing

- Model Number: 06D63613.16-12 (Non Anti-Siphon)
- Model Number: 06DA63613.16-12 (With Anti-Siphon)
- DNAS = 3200 std
- DNPC = 3600 std

### NOMINAL FLOW RATES

Pressure Range 6-36 psi

Flow Rate (GPH)	Flow Code
0.16	16
0.26	26
0.32	32
0.42	42

Substitute Flow Code listed above for **X** in the Model Number.

## DRIPNET PC™ 636 SERIES NON ANTI-SIPHON

Call Netafim USA Customer Service for delivery timelines

(B)

Model Number	Description	Reel Length	Weight per Reel	Weight per Pallet	Price Per 1,000'	Price Per Reel
<b>15 Mil Wall Thickness - 0.636" Diameter</b>						
06D63615.X-12	12" dripper spacing	3,600'	50 lbs.	645 lbs.	Call for Quote	
06D63615.X-14	14" dripper spacing	3,600'	50 lbs.	645 lbs.		
06D63615.X-16	16" dripper spacing	3,600'	50 lbs.	645 lbs.		
06D63615.X-18	18" dripper spacing	3,600'	50 lbs.	645 lbs.		
06D63615.X-24	24" dripper spacing	3,600'	50 lbs.	645 lbs.		
06D63615.X-27	27" dripper spacing	3,600'	50 lbs.	645 lbs.		
06D63615.X-30	30" dripper spacing	3,600'	50 lbs.	645 lbs.		
06D63615.X-36	36" dripper spacing	3,600'	50 lbs.	645 lbs.		
<b>25 Mil Wall Thickness - 0.636" Diameter</b>						
06D63625.X-12	12" dripper spacing	2,600'	55 lbs.	705 lbs.	Call for Quote	
06D63625.X-14	14" dripper spacing	2,600'	55 lbs.	705 lbs.		
06D63625.X-16	16" dripper spacing	2,600'	55 lbs.	705 lbs.		
06D63625.X-18	18" dripper spacing	2,600'	55 lbs.	705 lbs.		
06D63625.X-20	20" dripper spacing	2,600'	55 lbs.	705 lbs.		
06D63625.X-24	24" dripper spacing	2,600'	55 lbs.	705 lbs.		
06D63625.X-27	27" dripper spacing	2,600'	55 lbs.	705 lbs.		
06D63625.X-30	30" dripper spacing	2,600'	55 lbs.	705 lbs.		
06D63625.X-36	36" dripper spacing	2,600'	55 lbs.	705 lbs.		

NOTES: DripNet PC 636 13 and 15 mil are standard with drilled outlet.  
Anti-Siphon is recommended for subsurface row crop applications.  
For GPM per 100' pressure comparisons- refer to the DripNet PC Technical Brochure.  
12 reels per pallet. Nominal pallet weight per pallet includes weight of pallet at 45 lbs.

# THINWALL DRIPLINES

## DRIPNET PC™ 636 SERIES WITH ANTI-SIPHON

Call Netafim USA Customer Service for delivery timelines

ⓑ

Model Number	Description	Reel Length	Weight per Reel	Weight per Pallet	Price Per 1,000'	Price Per Reel
<b>15 Mil Wall Thickness - 0.636" Diameter</b>						
06DA63615.X-12	12" dripper spacing	3,200'	44 lbs.	573 lbs.		
06DA63615.X-14	14" dripper spacing	3,200'	44 lbs.	573 lbs.		
06DA63615.X-16	16" dripper spacing	3,200'	44 lbs.	573 lbs.		
06DA63615.X-18	18" dripper spacing	3,200'	44 lbs.	573 lbs.		Call for Quote
06DA63615.X-24	24" dripper spacing	3,200'	44 lbs.	573 lbs.		
06DA63615.X-27	27" dripper spacing	3,200'	44 lbs.	573 lbs.		
06DA63615.X-30	30" dripper spacing	3,200'	44 lbs.	573 lbs.		
06DA63615.X-36	36" dripper spacing	3,200'	44 lbs.	573 lbs.		
<b>25 Mil Wall Thickness - 0.636" Diameter (DRILLED OUTLET)</b>						
06DA63625.X-12	12" dripper spacing	2,600'	54 lbs.	693 lbs.		
06DA63625.X-14	14" dripper spacing	2,600'	54 lbs.	693 lbs.		
06DA63625.X-16	16" dripper spacing	2,600'	54 lbs.	693 lbs.		
06DA63625.X-18	18" dripper spacing	2,600'	54 lbs.	693 lbs.		
06DA63625.X-20	20" dripper spacing	2,600'	54 lbs.	693 lbs.		Call for Quote
06DA63625.X-24	24" dripper spacing	2,600'	54 lbs.	693 lbs.		
06DA63625.X-27	27" dripper spacing	2,600'	54 lbs.	693 lbs.		
06DA63625.X-30	30" dripper spacing	2,600'	54 lbs.	693 lbs.		
06DA63625.X-36	36" dripper spacing	2,600'	54 lbs.	693 lbs.		

NOTES: DripNet PC 636 13 and 15 mil are standard with drilled outlet.  
 Anti-Siphon is recommended for subsurface row crop applications.  
 For GPM per 100' pressure comparisons- refer to the DripNet PC Technical Brochure.  
 12 reels per pallet. Nominal pallet weight per pallet includes weight of pallet at 45 lbs.

### MADE TO ORDER PRODUCTS

Products listed in this Price List and not identified on the Quick Selection Guide for Commonly Sold Thinwall Driplines. Minimum order requirement is two (2) pallets or (24) reels.

### CUSTOM PRODUCTS

Products not listed in this Price List. Call Netafim USA Customer Service for quote and delivery timelines. Minimum order requirement is two (2) pallets or (24) reels. No returns on Custom Products.

**NOTE:** **MTO** (Made to Order) - considered products that are not MTS, in other words, not guaranteed to be in stock, and considered to be "Special Order" type products.  
**MOQ** (Minimum Order Quantity) - designated products are products that are MTO and are subject to a minimum coil quantity.



# THINWALL DRIPLINES



**06D, 06D,  
06DA  
OR  
06DA**

875	13	.16	-12
Inside Diameter	Wall Thickness	Flow Code	Dripper Spacing

### ORDERING EXAMPLE

DripNet PC, .875" ID, 13.5 mil wall thickness, 0.16 GPH flow rate, 12" dripper spacing

- Model Number: 06D87513.16-12 (Non Anti-Siphon)
- Model Number: 06DA87513.16-12 (With Anti-Siphon)

### NOMINAL FLOW RATES

Pressure Range 6-36 psi

Flow Rate (GPH)	Flow Code
0.16	16
0.26	26
0.32	32
0.42	42

Substitute Flow Code listed above for **X** in the Model Number.

## DRIPNET PC™ 875 SERIES NON ANTI-SIPHON

Call Netafim USA Customer Service for delivery timelines

(B)

Model Number	Description	Reel Length	Weight per Reel	Weight per Pallet	Price Per 1,000'	Price Per Reel	
<b>15 Mil Wall Thickness - 0.875" Diameter</b>							
06D87515.X-12	12" dripper spacing	3,000'	56 lbs.	717 lbs.	Call for Quote		
06D87515.X-14	14" dripper spacing	3,000'	56 lbs.	717 lbs.			
06D87515.X-16	16" dripper spacing	3,000'	56 lbs.	717 lbs.			
06D87515.X-18	18" dripper spacing	3,000'	56 lbs.	717 lbs.			
06D87515.X-24	24" dripper spacing	3,000'	56 lbs.	717 lbs.			
06D87515.X-27	27" dripper spacing	3,000'	56 lbs.	717 lbs.			
06D87515.X-30	30" dripper spacing	3,000'	56 lbs.	717 lbs.			
06D87515.X-36	36" dripper spacing	3,000'	56 lbs.	717 lbs.			
<b>25 Mil Wall Thickness - 0.875" Diameter</b>							
06D87525.X-12	12" dripper spacing	1,640'	49 lbs.	633 lbs.		Call for Quote	
06D87525.X-14	14" dripper spacing	1,640'	49 lbs.	633 lbs.			
06D87525.X-16	16" dripper spacing	1,640'	49 lbs.	633 lbs.			
06D87525.X-18	18" dripper spacing	1,640'	49 lbs.	633 lbs.			
06D87525.X-20	20" dripper spacing	1,640'	49 lbs.	633 lbs.			
06D87525.X-24	24" dripper spacing	1,640'	49 lbs.	633 lbs.			
06D87525.X-27	27" dripper spacing	1,640'	49 lbs.	633 lbs.			
06D87525.X-30	30" dripper spacing	1,640'	49 lbs.	633 lbs.			
06D87525.X-36	36" dripper spacing	1,640'	49 lbs.	633 lbs.			

NOTES: DripNet PC 875 13.5 and 15 mil are standard with drilled outlet.  
Anti-Siphon is recommended for subsurface row crop applications.  
For GPM per 100' pressure comparisons- refer to the DripNet PC Technical Brochure.  
12 reels per pallet. Nominal pallet weight per pallet includes weight of pallet at 45 lbs.

# THINWALL DRIPLINES

## DRIPNET PC™ 875 SERIES WITH ANTI-SIPHON

Call Netafim USA Customer Service for delivery timelines

(B)

Model Number	Description	Reel Length	Weight per Reel	Weight per Pallet	Price Per 1,000'	Price Per Reel
<b>15 Mil Wall Thickness - 0.875" Diameter</b>						
06DA87515.X-12	12" dripper spacing	2,800'	53 lbs.	681 lbs.		
06DA87515.X-14	14" dripper spacing	2,800'	53 lbs.	681 lbs.		
06DA87515.X-16	16" dripper spacing	2,800'	53 lbs.	681 lbs.		
06DA87515.X-18	18" dripper spacing	2,800'	53 lbs.	681 lbs.	Call for Quote	
06DA87515.X-24	24" dripper spacing	2,800'	53 lbs.	681 lbs.		
06DA87515.X-27	27" dripper spacing	2,800'	53 lbs.	681 lbs.		
06DA87515.X-30	30" dripper spacing	2,800'	53 lbs.	681 lbs.		
06DA87515.X-36	36" dripper spacing	2,800'	53 lbs.	681 lbs.		
<b>25 Mil Wall Thickness - 0.875" Diameter</b>						
06DA87525.X-12	12" dripper spacing	1,640'	48 lbs.	621 lbs.		
06DA87525.X-14	14" dripper spacing	1,640'	48 lbs.	621 lbs.		
06DA87525.X-16	16" dripper spacing	1,640'	48 lbs.	621 lbs.		
06DA87525.X-18	18" dripper spacing	1,640'	48 lbs.	621 lbs.	Call for Quote	
06DA87525.X-20	20" dripper spacing	1,640'	48 lbs.	621 lbs.		
06DA87525.X-24	24" dripper spacing	1,640'	48 lbs.	621 lbs.		
06DA87525.X-27	27" dripper spacing	1,640'	48 lbs.	621 lbs.		
06DA87525.X-30	30" dripper spacing	1,640'	48 lbs.	621 lbs.		
06DA87525.X-36	36" dripper spacing	1,640'	48 lbs.	621 lbs.		

NOTES: DripNet PC 875 13.5 and 15 mil are standard with drilled outlet.  
 Anti-Siphon is recommended for subsurface row crop applications.  
 For GPM per 100' pressure comparisons- refer to the DripNet PC Technical Brochure.  
 12 reels per pallet. Nominal pallet weight per pallet includes weight of pallet at 45 lbs.

### MADE TO ORDER PRODUCTS

Products listed in this Price List and not identified on the Quick Selection Guide for Commonly Sold Thinwall Driplines. Minimum order requirement is two (2) pallets or (24) reels.

### CUSTOM PRODUCTS

Products not listed in this Price List. Call Netafim USA Customer Service for quote and delivery timelines. Minimum order requirement is two (2) pallets or (24) reels. No returns on Custom Products.

**NOTE:** **MTO** (Made to Order) - considered products that are not MTS, in other words, not guaranteed to be in stock, and considered to be "Special Order" type products.  
**MOQ** (Minimum Order Quantity) - designated products are products that are MTO and are subject to a minimum coil quantity.

# THINWALL DRIPLINES



<b>06DA</b>	990	18	.42	-12
	Inside Diameter	Wall Thickness	Flow Code	Dripper Spacing

### ORDERING EXAMPLE

DripNet PC, .990" ID, 18 mil wall thickness, 0.42 GPH flow rate, 12" dripper spacing

- Model Number: 06DA99018.42-12 (With Anti-Siphon)

### NOMINAL FLOW RATES

Pressure Range 6-36 psi

Flow Rate (GPH)	Flow Code
0.16	16
0.26	26
0.32	32
0.42	42

Substitute Flow Code listed above for **X** in the Model Number.

## DRIPNET PC™ 990 SERIES WITH ANTI-SIPHON

Call Netafim USA Customer Service for delivery timelines

(B)

Model Number	Description	Reel Length	Weight per Reel	Weight per Pallet	Price Per 1,000'	Price Per Reel
<b>18 Mil Wall Thickness - 0.990" Diameter</b>						
06DA99018.X-12	12" dripper spacing	1,900'				
06DA99018.X-14	14" dripper spacing	1,900'				
06DA99018.X-16	16" dripper spacing	1,900'				
06DA99018.X-18	18" dripper spacing	1,900'	Call	Call	Call	Call
06DA99018.X-20	20" dripper spacing	1,900'	for	for	for	for
06DA99018.X-24	24" dripper spacing	1,900'	Info	Info	Quote	Quote
06DA99018.X-27	27" dripper spacing	1,900'				
06DA99018.X-30	30" dripper spacing	1,900'				
06DA99018.X-36	36" dripper spacing	1,900'				

NOTES: DripNet PC 990 18 mil is standard with hole outlet and Anti-Siphon feature. No flap outlet available.  
For GPM per 100' pressure comparisons- refer to the DripNet PC Technical Brochure.  
12 reels per pallet. Nominal pallet weight per pallet includes weight of pallet at 45 lbs.

### MADE TO ORDER PRODUCTS

Products listed in this Price List and not identified on the Quick Selection Guide for Commonly Sold Thinwall Driplines. Minimum order requirement is two (2) pallets or (32) reels.

### CUSTOM PRODUCTS

Products not listed in this Price List. Call Netafim USA Customer Service for quote and delivery timelines. Minimum order requirement is two (2) pallets or (32) reels. No returns on Custom Products.

**NOTE:** **MTO** (Made to Order) - considered products that are not MTS, in other words, not guaranteed to be in stock, and considered to be "Special Order" type products.

**MOQ** (Minimum Order Quantity) - designated products are products that are MTO and are subject to a minimum coil quantity.

# THINWALL DRIPLINES



# HEAVYWALL DRIPLINES

Quick Selection Guide for Commonly Sold Products .....	39
Uniram Pressure Compensating .....	40
Uniram XRS .....	41
DripNet PC™ Pressure Compensating .....	42
Aries™ Non-Pressure Compensating .....	44
Accessories .....	46

HWD = Heavywall Dripline  
 PE = Polyethylene Tubing  
 MIPT = Male Pipe Thread  
 FIPT = Female Pipe Thread

VineLine Vineyard Solution:  
 Pre-installed dripline ring not  
 recommended below the following  
 standard wall thickness:  
 16mm = 45 wall  
 17mm = 45 wall  
 18mm = 45 wall  
 20mm = 48 wall

# HEAVYWALL DRIPLINES

## QUICK SELECTION GUIDE FOR COMMONLY SOLD HEAVYWALL DRIPLINES NOT SUBJECT TO MINIMUM ORDER QUANTITY REQUIREMENTS (MOQ)

Netafim USA has a wide selection of heavywall driplines to fit numerous applications. Some driplines are stocking items which are not subject to minimum order quantity requirements and the following charts list those driplines.

### HEAVYWALL COILS PER PALLET

Product	Coils Per Pallet
UniRam	20
DripNet PC	20
Aries	20

### UNIRAM PRESSURE COMPENSATING



©

Model Number	Description	Flow Rate (GPH)	Coil Length	Weight per Coil	Price Per 1,000' or Coil
<b>UNIRAM 570 - 17mm 45 mil Wall Thickness - 0.570" Diameter</b>					
08UR17.4-24	24" dripper spacing	0.42	1,000'	36 lbs.	Call for Quote
<b>UNIRAM 620 - 18mm 45 mil Wall Thickness - 0.620" Diameter</b>					
08UR18.4-12	12" dripper spacing	0.42	1,000'	39 lbs.	Call for Quote
08UR18.5-15	15" dripper spacing	0.53	1,000'	39 lbs.	
08UR18.5-18	18" dripper spacing	0.53	1,000'	39 lbs.	
08UR18.4-24	24" dripper spacing	0.42	1,000'	39 lbs.	
08UR18.5-24	24" dripper spacing	0.53	1,000'	39 lbs.	
08UR18.5-30	30" dripper spacing	0.53	1,000'	39 lbs.	
08UR18.5-36	36" dripper spacing	0.53	1,000'	39 lbs.	
08UR18.6-36	36" dripper spacing	0.61	1,000'	39 lbs.	
08UR1810-36	36" dripper spacing	1.00	1,000'	39 lbs.	
08UR18.5-48	48" dripper spacing	0.53	1,000'	39 lbs.	
<b>UNIRAM 690 - 20mm 48 mil Wall Thickness - 0.690" Diameter</b>					
08UR20.4-24	24" dripper spacing	0.42	1,000'	46 lbs.	Call for Quote
08UR20.5-24	24" dripper spacing	0.53	1,000'	46 lbs.	
08UR20.9-36	36" dripper spacing	0.92	1,000'	46 lbs.	
08UR2010-36	36" dripper spacing	1.00	1,000'	46 lbs.	

# HEAVYWALL DRIPLINES

**QUICK SELECTION GUIDE FOR COMMONLY SOLD HEAVYWALL DRIPLINES**  
 NOT SUBJECT TO MINIMUM ORDER QUANTITY REQUIREMENTS (MOQ)



## DRIPNET PC™ PRESSURE COMPENSATING

①

Model Number	Description	Flow Rate (GPH)	Coil Length	Weight per Coil	Price Per 1,000' or Coil
<b>DRIPNET PC 570 - 17mm 45 mil Wall Thickness - 0.570" Diameter</b>					
08D57045.6-24	24" dripper spacing	0.61	1,000'	36 lbs.	Call for Quote
<b>DRIPNET PC 620 - 18mm 45 mil Wall Thickness - 0.620" Diameter</b>					
08D62045.26-18	18" dripper spacing	0.26	1,000'	39 lbs.	Call for Quote
08D62045.42-18	18" dripper spacing	0.42	1,000'	39 lbs.	
08D62045.53-18	18" dripper spacing	0.53	1,000'	39 lbs.	
08D62045.42-24	24" dripper spacing	0.42	1,000'	39 lbs.	
08D62045.53-24	24" dripper spacing	0.53	1,000'	39 lbs.	
08D62045.6-24	24" dripper spacing	0.61	1,000'	39 lbs.	
08D62045.42-30	30" dripper spacing	0.42	1,000'	39 lbs.	
08D62045.53-30	30" dripper spacing	0.53	1,000'	39 lbs.	
08D62045.53-36	36" dripper spacing	0.53	1,000'	39 lbs.	
08D62045.53-42	42" dripper spacing	0.53	1,000'	39 lbs.	
<b>DRIPNET PC 620 - 18mm 45 mil Wall Thickness - 0.620" Diameter - ANTI SIPHON</b>					
08DA62045.53-24	24" dripper spacing	0.53	1,000'	36 lbs.	
<b>DRIPNET PC 690 - 20mm 48 mil Wall Thickness - 0.690" Diameter</b>					
08D69048.42-24	24" dripper spacing	0.42	1,000'	46 lbs.	Call for Quote
08D69048.53-24	24" dripper spacing	0.53	1,000'	46 lbs.	
08D69048.6-24	24" dripper spacing	0.61	1,000'	46 lbs.	
08D69048.53-30	30" dripper spacing	0.53	1,000'	46 lbs.	



## ARIES™ NON-PRESSURE COMPENSATING

②

Model Number	Description	Flow Rate (GPH)	Coil Length	Weight per Coil	Price Per 1,000' or Coil
<b>ARIES 570 - 17mm 40 mil Wall Thickness - 0.570" Diameter</b>					
AR5704010-12	12" dripper spacing	1.0	1,000'	36 lbs.	Call for Quote
AR5704010-18	18" dripper spacing	1.0	1,000'	36 lbs.	
AR5704010-24	24" dripper spacing	1.0	1,000'	36 lbs.	
<b>ARIES 620 - 18mm 45 mil Wall Thickness - 0.620" Diameter</b>					
AR6204505-24	24" dripper spacing	0.5	1,000'	30 lbs.	Call for Quote
AR6204505-30	30" dripper spacing	0.5	1,000'	30 lbs.	
AR6204505-36	36" dripper spacing	0.5	1,000'	30 lbs.	
<b>ARIES 690 - 20mm 48 mil Wall Thickness - 0.690" Diameter</b>					
AR6904805-24	24" dripper spacing	0.5	1,000'	46 lbs.	Call for Quote

# HEAVYWALL DRIPLINES



## NOMINAL FLOW RATES

Flow Rate (GPH)	Flow Code
0.26	.26
0.33	.3
0.42	.4
0.53	.5
0.61	.6
0.92	.9
1.00	10

Substitute Flow Code listed above for X in the Model Number.

## UNIRAM ORDERING EXAMPLE

UniRam 0.620" (18 mm) inside diameter, 0.42 GPH flow rate, 24" dripper spacing

- Model Number: 08UR18.4-24
- Model Number with VineLine: 08VUR18.4-24



## VINELINE VINEYARD SOLUTION

## UNIRAM PRESSURE COMPENSATING MADE TO ORDER

Call Netafim USA Customer Service for delivery timelines



Model Number	Description	Coil Length	Nominal Coil Weight	Price Per 1,000' or Coil	VineLine Price Per 1,000' or Coil
<b>UNIRAM 540 - 16 mm</b>					
<b>45 mil Wall Thickness - 0.540" Diameter</b>					
08UR16X-24	24" Dripper Spacing	1,000'	34 lbs.	Call for Quote	
08UR16X-30	30" Dripper Spacing	1,000'	34 lbs.		
08UR16X-36	36" Dripper Spacing	1,000'	34 lbs.		
08UR16X-42.25	42.25" Dripper Spacing	1,000'	34 lbs.		
08UR16X-48	48" Dripper Spacing	1,000'	34 lbs.		
<b>UNIRAM 570 - 17 mm</b>					
<b>45 mil Wall Thickness - 0.570" Diameter</b>					
08UR17X-24	24" Dripper Spacing	1,000'	36 lbs.	Call for Quote	
08UR17X-30	30" Dripper Spacing	1,000'	36 lbs.		
08UR17X-36	36" Dripper Spacing	1,000'	36 lbs.		
08UR17X-42.25	42.25" Dripper Spacing	1,000'	36 lbs.		
08UR17X-48	48" Dripper Spacing	1,000'	36 lbs.		
<b>UNIRAM 620 - 18 mm</b>					
<b>45 mil Wall Thickness - 0.620" Diameter</b>					
08UR18X-24	24" Dripper Spacing	1,000'	39 lbs.	Call for Quote	
08UR18X-30	30" Dripper Spacing	1,000'	39 lbs.		
08UR18X-36	36" Dripper Spacing	1,000'	39 lbs.		
08UR18X-42.25	42.25" Dripper Spacing	1,000'	39 lbs.		
08UR18X-48	48" Dripper Spacing	1,000'	39 lbs.		
<b>UNIRAM 690 - 20 mm</b>					
<b>48 mil Wall Thickness - 0.690" Diameter</b>					
08UR20X-24	24" Dripper Spacing	1,000'	46 lbs.	Call for Quote	
08UR20X-30	30" Dripper Spacing	1,000'	46 lbs.		
08UR20X-36	36" Dripper Spacing	1,000'	46 lbs.		
08UR20X-42.25	42.25" Dripper Spacing	1,000'	46 lbs.		
08UR20X-48	48" Dripper Spacing	1,000'	46 lbs.		
<b>UNIRAM 820</b>					
<b>60 mil Wall Thickness - 0.820" Diameter</b>					
08UR82060X-24	24" Dripper Spacing	1,000'	68 lbs.	Call for Quote	Not Available with VineLine
08UR82060X-30	30" Dripper Spacing	1,000'	68 lbs.		
08UR82060X-36	36" Dripper Spacing	1,000'	68 lbs.		
08UR82060X-42.25	42.25" Dripper Spacing	1,000'	68 lbs.		
08UR82060X-48	48" Dripper Spacing	1,000'	68 lbs.		

Other dripper spacings available upon request. Also available on larger diameter reels.

**MADE TO STOCK ORDERS** - Products listed in this Price List and not identified on the Quick Selection Guide for Commonly Sold Heavywall Driplines. Minimum order requirement is two (2) pallets or (40) coils.

**CUSTOM ORDERS** - Products not listed in this Price List. Minimum order requirement two (2) pallets or (40) coils.



# HEAVYWALL DRIPLINES



## NOMINAL FLOW RATES

Flow Rate (GPH)	Flow Code
0.42	.4
0.61	.6
0.92	.9

Substitute Flow Code listed above for **X** in the Model Number.

## UNIRAM XRS PRESSURE COMPENSATING MADE TO ORDER

Call Netafim USA Customer Service for delivery timelines



Model Number	Description	Coil Length	Nominal Coil Weight	Price Per 1,000' or Coil
<b>UNIRAM XRS 540 - 16 mm</b>				
<b>45 mil Wall Thickness - 0.540" Diameter</b>				
URXRS16.4-24	24" Dripper Spacing	1,000'	26 lbs.	
URXRS16.4-32	32" Dripper Spacing	1,000'	26 lbs.	
URXRS16.6-28	28" Dripper Spacing	1,000'	26 lbs.	Call for Quote
URXRS16.6-36	36" Dripper Spacing	1,000'	26 lbs.	
URXRS16.9-32	32" Dripper Spacing	1,000'	26 lbs.	
URXRS16.9-36	32" Dripper Spacing	1,000'	26 lbs.	
<b>UNIRAM XRS 570 - 17 mm</b>				
<b>45 mil Wall Thickness - 0.570" Diameter</b>				
URXRS17.4-24	24" Dripper Spacing	1,000'	36 lbs.	
URXRS17.4-32	32" Dripper Spacing	1,000'	36 lbs.	
URXRS17.6-28	28" Dripper Spacing	1,000'	36 lbs.	Call for Quote
URXRS17.6-36	36" Dripper Spacing	1,000'	36 lbs.	
URXRS17.9-32	32" Dripper Spacing	1,000'	36 lbs.	
URXRS17.9-36	36" Dripper Spacing	1,000'	36 lbs.	
<b>UNIRAM XRS 620 - 18 mm</b>				
<b>45 mil Wall Thickness - 0.620" Diameter</b>				
URXRS18.4-24	24" Dripper Spacing	1,000'	39 lbs.	
URXRS18.4-32	32" Dripper Spacing	1,000'	39 lbs.	
URXRS18.6-24	24" Dripper Spacing	1,000'	39 lbs.	
URXRS18.6-28	28" Dripper Spacing	1,000'	39 lbs.	Call for Quote
URXRS18.6-32	32" Dripper Spacing	1,000'	39 lbs.	
URXRS18.6-36	36" Dripper Spacing	1,000'	39 lbs.	
URXRS18.9-32	32" Dripper Spacing	1,000'	39 lbs.	
URXRS18.9-36	36" Dripper Spacing	1,000'	39 lbs.	
<b>UNIRAM XRS 690 - 20 mm</b>				
<b>48 mil Wall Thickness - 0.690" Diameter</b>				
URXRS20.4-24	24" Dripper Spacing	1,000'	46 lbs.	
URXRS20.4-32	32" Dripper Spacing	1,000'	46 lbs.	
URXRS20.6-28	28" Dripper Spacing	1,000'	46 lbs.	Call for Quote
URXRS20.6-36	36" Dripper Spacing	1,000'	46 lbs.	
URXRS20.9-32	32" Dripper Spacing	1,000'	46 lbs.	
URXRS20.9-36	36" Dripper Spacing	1,000'	46 lbs.	
<b>UNIRAM XRS 820</b>				
<b>60 mil Wall Thickness - 0.820" Diameter</b>				
URXRS82060.6-36	36" Dripper Spacing	1,000'	59 lbs.	Call for Quote

# HEAVYWALL DRIPLINES



## NOMINAL FLOW RATES

Flow Rate (GPH)	Flow Code
0.16	.16
0.26	.26
0.42	.42
0.53	.53
0.61	.61
0.79	.79
0.92	.92

Substitute Flow Code listed above for **X** in the Model Number.

## DRIPNET PC ORDERING EXAMPLE

DripNet PC 0.620" (18 mm) inside diameter, 0.42 GPH flow rate, 24" dripper spacing

- Model Number: 08D620450.42-24
- Model Number with VineLine: 08VD620450.42-24



## VINELINE VINEYARD SOLUTION

## DRIPNET PC™ PRESSURE COMPENSATING MADE TO ORDER

Call Netafim USA Customer Service for delivery timelines



Model Number	Description	Coil Length	Nominal Coil Weight	Price Per 1,000' or Coil	VineLine Price Per 1,000' or Coil
<b>DRIPNET PC 540 - 16 mm</b>					
<b>45 mil Wall Thickness - 0.540" Diameter</b>					
08D54045X-24	24" Dripper Spacing	1,000'	34 lbs.		
08D54045X-30	30" Dripper Spacing	1,000'	34 lbs.	Call for Quote	
08D54045X-36	36" Dripper Spacing	1,000'	34 lbs.		
08D54045X-42.25	42.25" Dripper Spacing	1,000'	34 lbs.		
08D54045X-48	48" Dripper Spacing	1,000'	34 lbs.		
<b>DRIPNET PC 570 - 17 mm</b>					
<b>45 mil Wall Thickness - 0.570" Diameter</b>					
08D57045X-24	24" Dripper Spacing	1,000'	36 lbs.		
08D57045X-30	30" Dripper Spacing	1,000'	36 lbs.	Call for Quote	
08D57045X-36	36" Dripper Spacing	1,000'	36 lbs.		
08D57045X-42.25	42.25" Dripper Spacing	1,000'	36 lbs.		
08D57045X-48	48" Dripper Spacing	1,000'	36 lbs.		
<b>DRIPNET PC 620 - 18 mm</b>					
<b>45 mil Wall Thickness - 0.620" Diameter</b>					
08D62045X-24	24" Dripper Spacing	1,000'	39 lbs.		
08D62045X-30	30" Dripper Spacing	1,000'	39 lbs.	Call for Quote	
08D62045X-36	36" Dripper Spacing	1,000'	39 lbs.		
08D62045X-42.25	42.25" Dripper Spacing	1,000'	39 lbs.		
08D62045X-48	48" Dripper Spacing	1,000'	39 lbs.		
<b>DRIPNET PC 690 - 20 mm</b>					
<b>48 mil Wall Thickness - 0.690" Diameter</b>					
08D69048X-24	24" Dripper Spacing	1,000'	46 lbs.		
08D69048X-30	30" Dripper Spacing	1,000'	46 lbs.	Call for Quote	
08D69048X-36	36" Dripper Spacing	1,000'	46 lbs.		
08D69048X-42.25	42.25" Dripper Spacing	1,000'	46 lbs.		
08D69048X-48	48" Dripper Spacing	1,000'	46 lbs.		

Other dripper spacings available upon request.

**MADE TO STOCK ORDERS** - Products listed in this Price List and not identified on the Quick Selection Guide for Commonly Sold Heavywall Driplines. Minimum order requirement is two (2) pallets or (40) coils.

**CUSTOM ORDERS** - Products not listed in this Price List. Minimum order requirement two (2) pallets or (40) coils.

**NOTE:** **MOQ** (Minimum Order Quantity) - designated products are products that are MTO and are subject to a minimum coil quantity.

# HEAVYWALL DRIPLINES



## NOMINAL FLOW RATES

Flow Rate (GPH)	Flow Code
0.16	.16
0.26	.26
0.42	.42
0.53	.53
0.61	.61
0.79	.79
0.92	.92

## DRIPLINE PC ORDERING EXAMPLE

DripNet PC 0.820" inside diameter, 0.42 GPH flow rate, 24" dripper spacing  
Model Number: 08D82035.42-24

Substitute Flow Code listed above for X in the Model Number.

## DRIPLINE PC™ PRESSURE COMPENSATING MADE TO ORDER

Call Netafim USA Customer Service for delivery timelines



Model Number	Description	Coil Length	Nominal Coil Weight	Price Per 1,000' or Coil	VineLine Price Per 1,000' or Coil
<b>DRIPLINE PC 820 *</b>					
<b>35 mil Wall Thickness - 0.820" Diameter</b>					
08D82035X-24	24" Dripper Spacing	1,000'	39 lbs.		
08D82035X-30	30" Dripper Spacing	1,000'	39 lbs.		Not Available
08D82035X-36	36" Dripper Spacing	1,000'	39 lbs.	Call for Quote	with
08D82035X-42.25	42.25" Dripper Spacing	1,000'	39 lbs.		VineLine
08D82035X-48	48" Dripper Spacing	1,000'	39 lbs.		
<b>DRIPLINE PC 820</b>					
<b>60 mil Wall Thickness - 0.820" Diameter</b>					
08D82060X-24	24" Dripper Spacing	1,000'	68 lbs.		
08D82060X-30	30" Dripper Spacing	1,000'	68 lbs.		Not Available
08D82060X-36	36" Dripper Spacing	1,000'	68 lbs.	Call for Quote	with
08D82060X-42.25	42.25" Dripper Spacing	1,000'	68 lbs.		VineLine
08D82060X-48	48" Dripper Spacing	1,000'	68 lbs.		

Other dripper spacings available upon request.

**MADE TO STOCK ORDERS** - Products listed in this Price List and not identified on the Quick Selection Guide for Commonly Sold Heavywall Driplines. Minimum order requirement is two (2) pallets or (40) coils.

**CUSTOM ORDERS** - Products not listed in this Price List. Minimum order requirement two (2) pallets or (40) coils.

\* 35 mil wall thickness products in 1,000' coil length are shipped on cardboard reels.

**NOTE:** **MOQ** (Minimum Order Quantity) - designated products are products that are MTO and are subject to a minimum coil quantity.

# HEAVYWALL DRIPLINES



## NOMINAL FLOW RATES

Flow Rate (GPH)	Flow Code
0.26	02
0.4	04
0.5	05
0.79	07
1.0	10

GPH based on 18 psi inlet pressure. Substitute Flow Code listed above for X in the Model Number.

## ARIES ORDERING EXAMPLE

Aries 0.620" (18 mm) inside diameter, 45 mil wall thickness, 0.5 GPH flow rate, 24" dripper spacing

- Model Number: AR62043505-24
- Model Number with VineLine: ARV6204505-24



VINELINE VINEYARD SOLUTION

## ARIES™ NON-PRESSURE COMPENSATING MADE TO ORDER

Call Netafim USA Customer Service for delivery timelines



Model Number	Description	Coil Length	Nominal Coil Weight	Price Per 1,000' or Coil	VineLine Price Per 1,000' or Coil
<b>ARIES 540</b>					
<b>35 mil Wall Thickness - 0.540" Diameter *</b>					
AR54035X-24	24" Dripper Spacing	1,000'	27 lbs.		
AR54035X-30	30" Dripper Spacing	1,000'	27 lbs.		Not Available
AR54035X-36	36" Dripper Spacing	1,000'	27 lbs.	Call for Quote	with
AR54035X-42.25	42.25" Dripper Spacing	1,000'	27 lbs.		VineLine
AR54035X-48	48" Dripper Spacing	1,000'	27 lbs.		
<b>45 mil Wall Thickness- 0.540" Diameter</b>					
AR54045X-24	24" Dripper Spacing	1,000'	34 lbs.		
AR54045X-30	30" Dripper Spacing	1,000'	34 lbs.		
AR54045X-36	36" Dripper Spacing	1,000'	34 lbs.	Call for Quote	
AR54045X-42.25	42.25" Dripper Spacing	1,000'	34 lbs.		
AR54045X-48	48" Dripper Spacing	1,000'	34 lbs.		
<b>ARIES 620</b>					
<b>35 mil Wall Thickness- 0.620" Diameter *</b>					
AR62035X-24	24" Dripper Spacing	1,000'	30 lbs.		
AR62035X-30	30" Dripper Spacing	1,000'	30 lbs.		
AR62035X-36	36" Dripper Spacing	1,000'	30 lbs.	Call for Quote	
AR62035X-42.25	42.25" Dripper Spacing	1,000'	30 lbs.		
AR62035X-48	48" Dripper Spacing	1,000'	30 lbs.		
<b>45 mil Wall Thickness- 0.620" Diameter</b>					
AR62045X-24	24" Dripper Spacing	1,000'	39 lbs.		
AR62045X-30	30" Dripper Spacing	1,000'	39 lbs.		
AR62045X-36	36" Dripper Spacing	1,000'	39 lbs.	Call for Quote	
AR62045X-42.25	42.25" Dripper Spacing	1,000'	39 lbs.		
AR62045X-48	48" Dripper Spacing	1,000'	39 lbs.		
<b>ARIES 690</b>					
<b>35 mil Wall Thickness- 0.690" Diameter *</b>					
AR69035X-24	24" Dripper Spacing	1,000'	33 lbs.		
AR69035X-30	30" Dripper Spacing	1,000'	33 lbs.		Not Available
AR69035X-36	36" Dripper Spacing	1,000'	33 lbs.	Call for Quote	with
AR69035X-42.25	42.25" Dripper Spacing	1,000'	33 lbs.		VineLine
AR69035X-48	48" Dripper Spacing	1,000'	33 lbs.		

Other dripper spacings available upon request.

\* 35 mil wall thickness products in 1,000' coil length are shipped on cardboard reels.

# HEAVYWALL DRIPLINES



## NOMINAL FLOW RATES

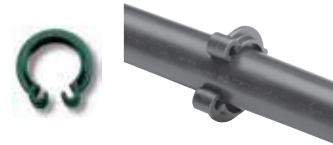
Flow Rate (GPH)	Flow Code
0.26	02
0.4	04
0.5	05
0.79	07
1.0	10

GPH based on 18 psi inlet pressure. Substitute Flow Code listed above for **X** in the Model Number.

## ARIES ORDERING EXAMPLE

Aries 0.690" (20 mm) inside diameter, 48 mil wall thickness, 0.5 GPH flow rate, 24" dripper spacing

- Model Number: AR6904805-24
- Model Number with VineLine: ARV6904805-24



VINELINE VINEYARD SOLUTION

## ARIES™ NON-PRESSURE COMPENSATING MADE TO ORDER

Call Netafim USA Customer Service for delivery timelines



Model Number	Description	Coil Length	Nominal Coil Weight	Price Per 1,000' or Coil	VineLine Price Per 1,000' or Coil
<b>ARIES 690</b>					
<b>48 mil Wall Thickness - 0.690" Diameter</b>					
AR69048X-24	24" Dripper Spacing	1,000'	46 lbs.		
AR69048X-30	30" Dripper Spacing	1,000'	46 lbs.		
AR69048X-36	36" Dripper Spacing	1,000'	46 lbs.	Call for Quote	
AR69048X-42.25	42.25" Dripper Spacing	1,000'	46 lbs.		
AR69048X-48	48" Dripper Spacing	1,000'	46 lbs.		
<b>ARIES 820</b>					
<b>48 mil Wall Thickness - 0.820" Diameter</b>					
CUSTOM ORDER				Call for Quote	
Manufactured on Cardboard Reels					

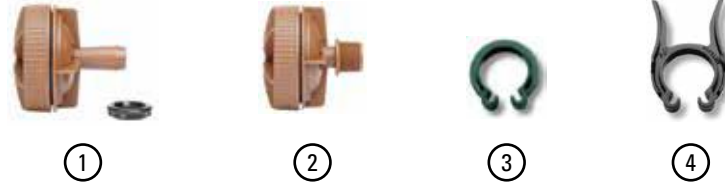
Other dripper spacings available upon request.

**MADE TO STOCK ORDERS** - Products listed in this Price List and not identified on the Quick Selection Guide for Commonly Sold Heavywall Driplines. Minimum order requirement is two (2) pallets or (40) coils.

**CUSTOM ORDERS** - Products not listed in this Price List. Minimum order requirement two (2) pallets or (40) coils.

**NOTE:** **MOQ** (Minimum Order Quantity) - designated products are products that are MTO and are subject to a minimum coil quantity.

# HEAVYWALL DRIPLINES



## ACCESSORIES (L)

Key	Item Number	Model Number	Description	Bag Qty	Price Bag
1	32000-007920	TLFV-1	Automatic Flush Valve Insert Inlet with Ring	1	24.00
2	32000-007860	TL050MFV-1	Automatic Flush Valve 1/2" MPT Inlet	1	24.00

## ACCESSORIES (I)

Key	Item Number	Model Number	Description	Bag Qty	Price Bag
3	32000-003333	H670780R-B	VineLine Clip fits 0.670" (17 mm) or 0.690" (18 mm) Tube*	250	30.25
	32000-003376	H790R-B	VineLine Clip fits 0.790" (20 mm) Tube*	250	30.25
4	32000-003450	H670780CLP-B	Smart Clip fits 0.670" (17 mm) or 0.690" (18 mm) Tube**	250	41.75

\* Wire Sizes: 11 gauge - 0.0907" and/or 2.30 mm  
12 gauge - 0.0808" and/or 2.05 mm

\*\* Wire Sizes: 10 gauge - 0.1019" and/or 2.59 mm  
11 gauge - 0.0907" and/or 2.30 mm  
12 gauge - 0.0808" and/or 2.05 mm



# FITTINGS & CONNECTORS



Thinwall Dripline Twist-Lock Fittings

- Couplers ..... 48
- Start Connectors ..... 48
- Adapters ..... 48
- Male Adapters ..... 49
- Tee Adapters ..... 49
- Elbows ..... 49
- Tees ..... 49
- Line Ends ..... 49
- Automatic Flush Valves ..... 50

Thinwall Dripline Ring-Lock Fittings

- Couplers ..... 50
- Miscellaneous Supplies ..... 51

Heavywall Dripline/Polyethylene Twist-Lock Fittings

- Start Connectors ..... 52

Heavywall Dripline/Polyethylene Insert-Barb Fittings

- Couplers ..... 52
- Tees ..... 53
- Elbows ..... 53
- Adapters ..... 54
- Tee Adapters ..... 54
- Line Ends ..... 54
- Shut-off Valves ..... 55
- Miscellaneous Fittings ..... 55

HWD = Heavywall Dripline  
 PE = Polyethylene Tubing  
 FPT = Female Pipe Thread

TWD = Thinwall Dripline  
 MPT = Male Pipe Thread

**NOTE:** All Netafim fittings are designed for use only with Netafim Driplines - warranty is void when used with other manufacturer's driplines.

# FITTINGS & CONNECTORS

## FOR THINWALL DRIPLINES

### TWIST-LOCK

Fittings have longer length for easy installation and secure connections

## THINWALL FITTINGS SELECTION GUIDE

Dripline Size	Acceptable Inside Diameter
630 SERIES	0.638" - 5/8"
875 SERIES	0.875" - 7/8"
990 SERIES	0.990" - 1"



### TWIST-LOCK COUPLERS

Direct Connection from Thinwall (TWD) to Thinwall (TWD)



Item Number	Model Number	Description	Quantity/Bag	Quantity/Case	Price Each	Price Bag
32520-000011	T630TLC-B	630 Series Coupler	50	500	\$0.59	\$29.50
32520-000021	T875TLC-B	875 Series Coupler	50	300	\$1.20	\$60.00
32520-000031	T990TLC-B	990 Series Coupler	40	200	\$2.37	\$94.80
32520-000041	T1125TLC-B	1125 Series Coupler	30	150	\$3.13	\$93.90



### TWIST-LOCK BARB ADAPTERS

Direct Connection from Oval Tubing to Thinwall (TWD)



Item Number	Model Number	Description	Quantity/Bag	Quantity/Case	Price Each	Price Bag
32520-000651	T630TL250B-B	630 Series Connection from Oval (LDPE) Tube to Thinwall	50	900	\$0.63	\$31.50
32520-000701	T630TL400B-B	630 Series Connection from Oval (LDPE) Tube to Thinwall	50	800	\$0.51	\$25.50
32520-000431	T630TL700B-B	630 Series Connection from Oval (LDPE) Tube to Thinwall	50	800	\$1.63	\$81.50
32520-000711	T875TL400B-B	875 Series Connection from Oval (LDPE) Tube to Thinwall	50	500	\$2.00	\$100.00
32520-000441	T875TL700B-B	875 Series Connection from Oval (LDPE) Tube to Thinwall	50	500	\$1.37	\$68.50

NOTE: Please reference page 51 for the required tools



### TWIST-LOCK LAYFLAT ADAPTERS

Direct Connection from Thinwall (TWD) to Layflat



Item Number	Model Number	Description	Quantity/Bag	Quantity/Case	Price Each	Price Bag
32520-000671	T630TLLF-B	630 Series Connection Thinwall to Layflat (14mm)	50	500	\$1.09	\$54.25
32520-000681	T875TLLF-B	875 Series Connection Thinwall to Layflat (14mm)	50	400	\$1.53	\$76.50
32520-000691	T875TLLF19-B	875 Series Connection Thinwall to Layflat (19mm)	50	300	\$1.93	\$96.50
32520-000621	TLF75MPT	3/4" MPT to Layflat (14mm)	50	600	\$1.44	\$72.00
32520-000631	TLFPLUG	Plug for Layflat (14mm)	50	900	\$1.30	\$65.00
32520-000641	TLFPLUG19	Plug for Layflat (19mm)	50	450	\$1.75	\$87.50

NOTE: Please reference page 51 for the required tools



### TWIST-LOCK MALE ADAPTERS

Direct Connection from Thinwall (TWD) to Male Pipe Thread MPT



Item Number	Model Number	Description	Quantity/Bag	Quantity/Case	Price Each	Price Bag
32520-000061	T630TLMA050-B	630 Series Connection Thinwall to 1/2" MPT	50	700	\$1.00	\$50.00
32520-000071	T630TLMA075-B	630 Series Connection Thinwall to 3/4" MPT	50	500	\$1.08	\$54.00
32520-000081	T875TLMA050-B	875 Series Connection Thinwall to 1/2" MPT	50	500	\$1.37	\$68.50
32520-000091	T875TLMA075-B	875 Series Connection Thinwall to 3/4" MPT	50	400	\$1.45	\$72.50
32520-000101	T990TLMA075-B	990 Series Connection Thinwall to 3/4" MPT	50	300	\$1.69	\$84.50



### TWIST-LOC MALE HOSE THREAD ADAPTERS

Direct Connection from Thinwall (TWD) to Male Thread MPT



Item Number	Model Number	Description	Quantity/Bag	Quantity/Case	Price Each	Price Bag
32520-000451	T630TLMHT-B	630 Series Connection Thinwall to Male Hose Thread	50	500	\$0.87	\$43.50
32520-000461	T875TLMHT-B	875 Series Connection Thinwall to Male Hose Thread	50	400	\$1.45	\$72.50

### TWIST-LOC THREADED END CAP

Direct Connection from Thinwall (TWD) to Male Threaded End Cap



Item Number	Model Number	Description	Quantity/Bag	Quantity/Case	Price Each	Price Bag
32520-000471	T630TLCAP-B	630 Series Connection Thinwall to Threaded End Cap	50	500	\$1.41	\$70.50
32520-000481	T875TLCAP-B	875 Series Connection Thinwall to Threaded End Cap	50	400	\$1.89	\$94.50



### TWIST-LOCK POLY HOSE INSERT ADAPTERS

Direct Connection from Thinwall (TWD) to Polyethylene (PE) Tubing



Item Number	Model Number	Description	Quantity/Bag	Quantity/Case	Price Each	Price Bag
32520-000341	T630TLH540I-B	630 Series Connection Thinwall to 16mm Insert	50	700	\$0.71	\$35.50
32520-000341	T630TLH690I-B	630 Series Connection Thinwall to 20mm Insert	50	600	\$1.33	\$66.50
32520-000341	T875TLH540I-B	875 Series Connection Thinwall to 16mm Insert	50	500	\$1.25	\$62.50
32520-000341	T875TLH690I-B	875 Series Connection Thinwall to 20mm Insert	50	450	\$1.87	\$93.50



# FITTINGS & CONNECTORS



## TWIST-LOCK FEMALE HOSE SWIVEL

Direct Connection from Thinwall (TWD) to Female Hose Swivel



Item Number	Model Number	Description	Quantity/Bag	Quantity/Case	Price Each	Price Bag
32520-000491	T630TLFHSW-B	630 Series Connection Thinwall to Female Hose Swivel w/ Washer	50	400	\$2.05	\$102.50
32520-000511	T630TLFHSWS-B	630 Series Connection Thinwall to Female Hose Swivel w/ Screen	50	400	\$2.42	\$121.00
32520-000501	T875TLFHSW-B	875 Series Connection Thinwall to Female Hose Swivel w/ Washer	50	350	\$3.31	\$165.50
32520-000521	T875TLFHSWS-B	875 Series Connection Thinwall to Female Hose Swivel w/ Screen	50	350	\$3.68	\$184.00



## TWIST-LOCK TEES

Direct Connection from Thinwall (TWD) to Thinwall (TWD)



Item Number	Model Number	Description	Quantity/Bag	Quantity/Case	Price Each	Price Bag
32520-000221	T630TLT3-B	630 Series Connection Thinwall to Thinwall to Thinwall	50	250	\$2.58	\$129.00
32520-000231	T875TLT3-B	875 Series Connection Thinwall to Thinwall to Thinwall	50	150	\$5.53	\$276.50



## TWIST-LOCK TEE ADAPTERS

Direct Connection from Thinwall (TWD) to Thinwall (TWD)



Item Number	Model Number	Description	Quantity/Bag	Quantity/Case	Price Each	Price Bag
32520-000261	T630TLTMA050-B	630 Series Connection Thinwall to Thinwall to 1/2" MPT	50	300	\$1.37	\$68.50
32520-000271	T630TLTMA075-B	630 Series Connection Thinwall to Thinwall to 3/4" MPT	50	250	\$1.77	\$88.50
32520-000281	T875TLTMA050-B	875 Series Connection Thinwall to Thinwall to 1/2" MPT	50	200	\$1.87	\$93.50
32520-000291	T875TLTMA075-B	875 Series Connection Thinwall to Thinwall to 3/4" MPT	50	200	\$2.27	\$113.50



## TWIST-LOC SWIVEL TEES

Direct Connection from Thinwall (TWD) to Thinwall (TWD)



Item Number	Model Number	Description	Quantity/Bag	Quantity/Case	Price Each	Price Bag
32520-000531	T630TLFHSW-B	630 Series Connection Thinwall to Thinwall to Female Hose Swivel w/Washer	50	250	\$3.22	\$161.00
32520-000541	T875TLFHSW-B	875 Series Connection Thinwall to Thinwall to Female Hose Swivel w/Washer	50	200	\$4.64	\$232.00



## TWIST-LOCK ELBOWS

Direct Connection from Thinwall (TWD) to Thinwall (TWD)



Item Number	Model Number	Description	Quantity/Bag	Quantity/Case	Price Each	Price Bag
32520-000131	T630TLEL-B	630 Series Connection Thinwall to Thinwall	50	400	\$2.36	\$118.00
32520-000141	T875TLEL-B	875 Series Connection Thinwall to Thinwall	50	250	\$3.86	\$193.00



## TWIST-LOCK ELBOWS ADAPTERS

Direct Connection from Thinwall (TWD) to MPT



Item Number	Model Number	Description	Quantity/Bag	Quantity/Case	Price Each	Price Bag
32520-000161	T630TLELMA050-B	630 Series Connection Thinwall to 1/2" MPT	50	550	\$1.18	\$59.00
32520-000171	T630TLELMA075-B	630 Series Connection Thinwall to 3/4" MPT	50	500	\$1.58	\$79.00
32520-000181	T875TLELMA050-B	875 Series Connection Thinwall to 1/2" MPT	50	450	\$1.47	\$73.50
32520-000191	T875TLELMA075-B	875 Series Connection Thinwall to 3/4" MPT	50	350	\$1.87	\$93.50



## TWIST-LOCK SWIVEL ELBOWS

Direct Connection from Thinwall (TWD) to Thinwall to Female Hose Swivel



Item Number	Model Number	Description	Quantity/Bag	Quantity/Case	Price Each	Price Bag
32520-000551	T630TLELFSW-B	630 Series Connection Thinwall to Female Hose Swivel w/Washer	50	-	\$3.56	\$178.00
32520-000561	T875TLELFSW-B	875 Series Connection Thinwall to Female Hose Swivel w/Washer	50	-	\$4.36	\$218.00



## TWIST-LOCK LINE ENDS

Line Ends



Item Number	Model Number	Description	Quantity/Bag	Quantity/Case	Price Each	Price Bag
32520-000381	T630TLEP-B	630 Series Line End	50	800	\$0.54	\$27.00
32520-000391	T875TLEP-B	875 Series Line End	50	550	\$1.28	\$64.00
32520-000401	T990TLEP-B	990 Series Line End	50	350	\$1.28	\$64.00

# FITTINGS & CONNECTORS

FOR THINWALL DRIPLINES

## THINWALL FITTINGS SELECTION GUIDE

### TWIST-LOCK VALVES

Dripline Size	Acceptable Inside Diameter
630 SERIES	0.638" - 5/8"
875 SERIES	0.875" - 7/8"
990 SERIES	0.990" - 1"



### TWIST-LOCK COUPLING VALVES

Coupling Valve

Item Number	Model Number	Description	Quantity/Bag	Quantity/Case	Price Each	Price Bag
32540-000131	T630TLVC-B	630 Series Coupling Valve	50	250	\$2.51	\$125.50
32540-000141	T875TLVC-B	875 Series Coupling Valve	50	200	\$2.75	\$137.50



### TWIST-LOCK BARBED VALVES

Direct Connection from Thinwall (TWD) to Valve to Barb

Item Number	Model Number	Description	Quantity/Bag	Quantity/Case	Price Each	Price Bag
32540-000251	T630TLV250B-B	630 Series Connection Thinwall x Valve x 250 Barb	50	350	\$2.51	\$125.50
32540-000701	T630TLV400B-B	630 Series Connection Thinwall x Valve x 400 Barb	50	350	\$2.51	\$125.50
32540-000271	T875TLV400B-B	875 Series Connection Thinwall x Valve x 400 Barb	50	250	\$3.01	\$150.50

NOTE: Please reference page 51 for the required tools

### TWIST-LOCK MALE THREADED VALVES

Direct Connection from Thinwall (TWD) to Valve to MPT

Item Number	Model Number	Description	Quantity/Bag	Quantity/Case	Price Each	Price Bag
32540-000151	T630TLVMA050-B	630 Series Connection Thinwall x Valve x 1/2" MPT	50	350	\$2.37	\$118.50
32540-000171	T875TLVMA050-B	875 Series Connection Thinwall x Valve x 1/2" MPT	50	300	\$2.87	\$143.50
32540-000161	T630TLVMA075-B	630 Series Connection Thinwall x Valve x 3/4" MPT	50	300	\$2.37	\$118.50
32540-000181	T875TLVMA075-B	875 Series Connection Thinwall x Valve x 3/4" MPT	50	250	\$2.87	\$143.50

### TWIST-LOCK LAYFLAT VALVES

Direct Connection from Thinwall (TWD) to Valve to Layflat

Item Number	Model Number	Description	Quantity/Bag	Quantity/Case	Price Each	Price Bag
32540-000281	T630TLVLF-B	630 Series Connection Thinwall x Valve x Layflat	50	250	\$2.91	\$145.50
32540-000291	T875TLVLF-B	875 Series Connection Thinwall x Valve x Layflat	50	200	\$5.66	\$283.00

NOTE: Please reference page 51 for the required tools

### RING-LOCK



630 SERIES

875 SERIES

### RING-LOCK COUPLERS

Direct Connection from Thinwall (TWD) to Thinwall (TWD)

Item Number	Model Number	Description	Quantity/Bag	Quantity/Case	Price Each	Price Bag
32500-016770	T630RLC-B	630 Series Ring Loc Coupler	100		\$0.51	\$51.00
32500-021320	T875RLC-B	875 Series Ring Loc Coupler	100		\$1.04	\$104.00

# FITTINGS & CONNECTORS

## MISCELLANEOUS SUPPLIES

①



### TIGHTENING TOOL

Tools and Accessories

Item Number	Model Number	Description	Quantity/Bag	Quantity/Case	Price Each	Price Bag
1	45000-003405	PPS630	Socket Tool to help tighten T630 TL Fittings	1		\$10.00
1	45000-003410	PPS875	Socket Tool to help tighten T875 TL Fittings	1		\$10.00

②



### GROMMETS

Tools and Accessories

Item Number	Model Number	Description	Quantity/Bag	Quantity/Case	Price Each	Price Bag
2	00115-001602	HGR0MM15-B	400 Series Grommet - 400 Barb Fittings and Valves	50		\$0.36 \$18.00

③



### DRILL BITS

Tools and Accessories

Item Number	Model Number	Description	Quantity/Bag	Quantity/Case	Price Each	Price Bag
3	45000-003130	TDBIT15	15mm Drill Bit for installing 400 Series Model T Grommet	1		\$80.00

④



### LAYFLAT TOOLS

Tools and Accessories

Item Number	Model Number	Description	Quantity/Bag	Quantity/Case	Price Each	Price Bag
4	45000-001540	LFP-14	Layflat Punch for 14mm hole	1		\$165.00
4	45000-001550	LFP-19	Layflat Punch for 19mm hole	1		\$230.00
5	45000-003415	PPTH630	T630 T-Handle Hex for 5/8" Layflat Fittings	1		\$14.00
5	45000-003420	PPTH875	T875 T-Handle Hex for 7/8" Layflat Fittings	1		\$17.00

⑤



### PUNCHES AND INSERTERS

Tools and Accessories

Item Number	Model Number	Description	Quantity/Bag	Quantity/Case	Price Each	Price Bag
6	45000-003425	PPPUNCH-5	Punch with Ejector 5mm Tip	1		\$16.00
7	45000-003430	PPPUNCH-7	Punch with Ejector 7mm Tip	1		\$22.00
7	45000-003435	PPPUNCH-13	Punch with Ejector 13mm Tip	1		\$22.00
8	45000-003440	PPPUNCH-IB	Punch with Inserter Type B	1		\$30.00
9	45000-003445	PPPUNCH-IAS	Punch with Short Adjustable Tip and Inserter	1		\$72.00
9	45000-003450	PPPUNCH-IAL	Punch with Long Adjustable Tip and Inserter	1		\$82.00
	45000-003455	PPHDL-NO	Punch with Ejector wo Tip	1		\$10.00
	45000-003460	PPTIP-5	Replacement 5mm Tip for PP Punch Handle	1		\$8.00
	45000-003465	PPTIP-7	Replacement 7mm Tip for PP Punch Handle	1		\$14.00
	45000-003470	PPTIP-13	Replacement 13mm Tip for PP Punch Handle	1		\$14.00
	45000-003475	PPTIP-IB	Replacement Inserter Tip for PP Punch Handle	1		\$22.00
10	45000-000014	PPIAS	Replacement Inserter Adjustable - Short (4in) for PP Punch Handle	1		\$64.00
10	45000-000013	PPIAL	Replacement Inserter Adjustable - Long (5.5in) for PP Punch Handle	1		\$74.00

⑥



⑦



⑧



⑨



⑩



# FITTINGS & CONNECTORS

## FOR HEAVYWALL DRIPLINES

### TWIST-LOCK

Fittings have longer length for easy installation and secure connections

## HEAVYWALL FITTINGS SELECTION GUIDE

Dripline Size	Acceptable Inside Diameter		
16MM	0.520"	-	0.540"
17MM	0.570"	-	0.600"
18MM	0.620"	-	0.640"
20MM	0.680"	-	0.700"
25MM	0.82"	-	0.86"



FROM PVC

### TWIST-LOCK START CONNECTORS

Direct Connection from PVC Submain to Heavywall/Polyethylene (HWD/PE)

Item Number	Model Number	HWD Size	Quantity	Price Each
00115-001600	H52034260160-B	16MM	100	1.27
00115-002550	H57034260180-B	18MM	100	1.52
00115-003550	H69034260200-B	20MM	100	1.89

Requires 5/8" drill size (15.88mm)

### INSERT-BARB



16MM



17MM



18MM



20-25MM



REDUCING COUPLER

### INSERT-BARB COUPLERS

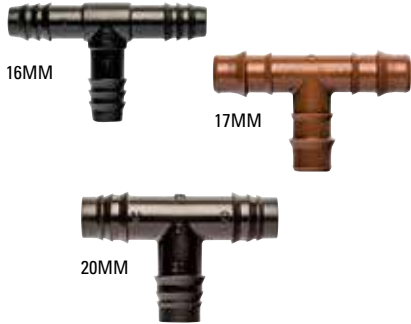
Item Number	Model Number	HWD Size	Quantity	Price Each
Direct Connection from Heavywall/Polyethylene (HWD/PE) to (HWD/PE)				
32500-010720	H520IC-B	16MM	50	0.59
00135-000830	H540IC-B	17MM	50	0.61
32500-014215	H620IC-B	18MM	100	0.74
32500-060030	H690IC-B	20MM	100	1.00
32500-021530	H820IC-B	25MM	100	1.43

#### Reducing Couplers

32500-007930	H680IRC520-B	18MM TO 16MM	100	1.14
32500-004330	H690IRC540-B	20MM TO 17MM	100	1.10

# FITTINGS & CONNECTORS

## INSERT-BARB



### INSERT-BARB TEES

Direct Connection from Heavywall/Polyethylene (HWD/PE) to to (HWD/PE) to (HWD/PE)



Item Number	Model Number	HWD Size	Quantity	Price Each
32500-011330	H520IT3-B	16MM	100	1.15
00135-000880	H540IT3-B	17MM	100	1.22
32500-008430	H690IT3-B	20MM	100	1.49



### INSERT-BARB ELBOWS

Direct Connection from Heavywall/Polyethylene (HWD/PE) to (HWD/PE)



Item Number	Model Number	HWD Size	Quantity	Price Each
32500-012530	H520IE-B	16MM	100	0.99
00135-000855	H540IE-B	17MM	100	1.12
32500-010020	H690IE-B	20MM	50	1.32

# FITTINGS & CONNECTORS

## FOR HEAVYWALL DRIPLINES

### INSERT-BARB

### HEAVYWALL FITTINGS SELECTION GUIDE

Dripline Size	Acceptable Inside Diameter
16MM	0.520" - 0.540"
17MM	0.570" - 0.600"
18MM	0.620" - 0.640"
20MM	0.680" - 0.700"
25MM	0.82" - 0.86"



16MM - 25MM TO MALE PIPE THREAD



16MM, 20MM, 25MM TO PVC



17MM TO PVC

### INSERT-BARB ADAPTERS <sup>①</sup>

Item Number	Model Number	HWD Size	Quantity	Price Each
Direct Connection from Heavywall/Polyethylene (HWD/PE) to Male Pipe Thread (MPT)				
32500-011020	H520IMA075-B	16MM	50	1.32
32500-004492	H540IMA075-B	17MM	50	1.46
32500-008220	H690IMA075-B	20MM	50	1.46
32500-014827	H820IMA075-B	25MM	50	1.69
Direct Connection from Heavywall/Polyethylene (HWD/PE) to PVC <sup>1</sup>				
32500-013720	H520IAPVC-B	16MM	50	2.32
32500-006720	H540IAPVC-B	17MM	50	2.60
32500-010330	H680IAPVC-B	20MM	50	2.62
32500-018420	H820IAPVC-B	25MM	50	2.81

Direct Connection from Heavywall/Polyethylene (HWD/PE) to Polyethylene (PE)

32500-007120 H540IAPE-B 16MM 50 1.55

<sup>1</sup> Requires 16.5mm drill bit/punch size



16MM TO FEMALE PIPE THREAD



20MM TO FEMALE PIPE THREAD

### INSERT-BARB TEE ADAPTERS <sup>①</sup>

Direct Connection from Heavywall/Polyethylene (HWD/PE) to (HWD/PE) to Female Pipe Thread (FPT)

Item Number	Model Number	HWD Size	Quantity	Price Each
32500-004720	H540ITFA075-B	16MM	50	2.42
32500-008920	H690ITFA075-B	20MM	50	2.84



18MM



20MM

### INSERT-BARB LINE ENDS <sup>①</sup>

Item Number	Model Number	HWD Size	Quantity	Price Each
32500-013030	H620FIG8-B	18MM	100	0.33
32500-014430	H800FIG8-B	20MM	100	0.70

# FITTINGS & CONNECTORS

## INSERT-BARB



16MM - 20MM



25MM

### INSERT-BARB SHUT-OFF VALVES <sup>①</sup>

Item Number	Model Number	HWD Size	Quantity	Price Each
00005-008960	58ISV520	16MM	1	3.70
00005-008970	58ISV600	17MM	1	4.40
00005-008980	58ISV700	20MM	1	7.40
00005-008990	58ISV820	25MM	1	7.50



①



②



③

### MISCELLANEOUS FITTINGS <sup>①</sup>

Key	Item Number	Model Number	Description	Quantity	Price Each
1	32000-006000	HPLUG	Plug fits 0.620" - 0.670" HWD & PE Outside Diameter	1	0.19
2	32000-007015	HGROMM690-B	20mm HWD & PE Grommet for PVC Adapter	50	0.74
	00115-000650	HGROMM820	25mm HWD & PE Grommet for PVC Adapter	1	2.00
3	45000-002750	TDBIT16.5	16.5mm Drill Bit for HGROMM680	1	41.00

# FITTINGS & CONNECTORS





# ON-LINE DRIPPERS

Pressure Compensating Drippers (Non-CNL) .....	58
Woodpecker Pressure Compensating Drippers (Non-CNL) .....	58
Woodpecker Pressure Compensating Dripper with Bug Cap .....	58
Woodpecker Pressure Compensating Dripper (With CNL) .....	59
Woodpecker Pressure Compensating Junior Dripper (With CNL) ...	59
Non-Pressure Compensating Button Drippers .....	60
Woodpecker Non-Pressure Compensating Drippers .....	60
Accessories .....	60

# ON-LINE DRIPPERS

## PRESSURE COMPENSATING DRIPPERS (PC) - NON CNL <sup>(E)</sup>

Item Number	Model Number	Nominal Flow (GPH)	Quantity Per Case	Quantity Per Bag	Price Each	Price Per Case or Bag	Price Per 1,000
21000-001051	01PC2	0.53			0.5411	1,352.75	541.10
21000-001151	01PC4	1.06	2,500	-	0.5411	1,352.75	541.10
21000-001246	01PC8	2.25			0.5411	1,352.75	541.10
21000-001033	01PC2-B	0.53			0.6090	152.25	609.00
21000-001133	01PC4-B	1.06	-	250	0.6090	152.25	609.00
21000-001233	01PC8-B	2.25			0.6090	152.25	609.00



PC DRIPPER

NOTE: On-Line Drippers Sold in Bag or Case Quantities ONLY

## WOODPECKER PRESSURE COMPENSATING DRIPPERS (WPC) - NON CNL <sup>(E)</sup>

Item Number	Model Number	Nominal Flow (GPH)	Quantity Per Case	Quantity Per Bag	Price Each	Price Per Case or Bag	Price Per 1,000
21020-001051	01WPC2	0.53			0.5411	1,352.75	541.10
21020-001149	01WPC4	1.06	2,500	-	0.5411	1,352.75	541.10
21020-001251	01WPC8	2.25			0.5411	1,352.75	541.10
21020-001033	01WPC2-B	0.53			0.6090	152.25	609.00
21020-001133	01WPC4-B	1.06	-	250	0.6090	152.25	609.00
21020-001235	01WPC8-B	2.25			0.6090	152.25	609.00



WPC DRIPPER

NOTE: On-Line Drippers Sold in Bag or Case Quantities ONLY

## WOODPECKER PRESSURE COMPENSATING DRIPPERS WITH BUG CAP (WPC) - NON CNL <sup>(E)</sup>

Item Number	Model Number	Nominal Flow (GPH)	Quantity Per Bag	Price Each	Price Per Case or Bag	Price Per 1,000
21000-001340	01WPC24-B	6.0	250	0.7580	198.50	794.00



WPC WITH BUG CAP

NOTE: On-Line Drippers Sold in Bag or Case Quantities ONLY

### NOTES:

The WPC outlet requires an adapter (11WPCON) in order to use 0.125"/0.197" tubing (Model 15PVC53, 15FPE53 or 15FPEW53)  
The WPCJ outlet fits 0.125"/0.197" tubing (Model 15PVC53 or 15FPE53).

# ON-LINE DRIPPERS

## WOODPECKER PRESSURE COMPENSATING DRIPPERS (WPC) - WITH CNL <sup>(E)</sup>

Item Number	Model Number	Nominal Flow (GPH)	Color Coded Inlet/Outlet	Quantity Per Case/Bag	Price Each	Price Per Case or Bag	Price Per 1,000
21020-001061	01WPCLL2	0.53	Red/Brown		0.6091	1,522.75	609.10
21020-001156	01WPCLL4	1.06	Black/Brown	2,500	0.6091	1,522.75	609.10
21020-001201	01WPCLL8	2.25	Green/Brown		0.6091	1,522.75	609.10
21020-001138	01WPCLL2-B	0.53	Red/Brown		0.6820	170.50	682.00
21020-001136	01WPCLL4-B	1.06	Black/Brown	250	0.6820	170.50	682.00
21020-001137	01WPCLL8-B	2.25	Green/Brown		0.6820	170.50	682.00



**NOTE:** On-Line Drippers Sold in Bag or Case Quantities ONLY

## WOODPECKER PRESSURE COMPENSATING JUNIOR DRIPPERS (WPCJ) - WITH CNL <sup>(E)</sup>

Item Number	Model Number	Nominal Flow (GPH)	Color Coded Inlet/Outlet	Quantity Per Case/Bag	Price Each	Price Per Case or Bag	Price Per 1,000
21520-001051	01WPCJL2	0.53	Red/Black		0.3890	5,057.00	389.00
21520-001460	01WPCJL4	1.06	Gray/Black		0.3890	5,057.00	389.00
21520-001660	01WPCJL8	2.11	Green/Black		0.3890	5,057.00	389.00
21520-001698	01WPCJL12	3.2	Plum/Black	13,000	0.3890	5,057.00	389.00
21630-001540	01WPCJL25	6.6	Orange/Gray		0.3890	5,057.00	389.00
21630-001740	01WPCJL30	7.9	Orange/Brown		0.3890	5,057.00	389.00
21630-002140	01WPCJL40	10.6	Orange/Blue		0.3890	5,057.00	389.00
21520-001040	01WPCJL2-B	0.53	Red/Black		0.4440	111.00	444.00
21520-001440	01WPCJL4-B	1.06	Gray/Black		0.4440	111.00	444.00
21520-001640	01WPCJL8-B	2.11	Green/Black		0.4440	111.00	444.00
21520-001690	01WPCJL12-B	3.2	Plum/Black	250	0.4440	111.00	444.00
21630-001530	01WPCJL25-B	6.6	Orange/Gray		0.4440	111.00	444.00
21630-001730	01WPCJL30-B	7.9	Orange/Brown		0.4440	111.00	444.00
21630-002135	01WPCJL40-B	10.6	Orange/Blue		0.4440	111.00	444.00



**NOTE:** On-Line Drippers Sold in Bag or Case Quantities ONLY

**NOTES:**

The WPC outlet requires an adapter (11WPCON) in order to use 0.125"/0.197" tubing (Model 15PVC53, 15FPE53 or 15FPEW53)  
 The WPCJ outlet fits 0.125"/0.197" tubing (Model 15PVC53 or 15FPE53).

# ON-LINE DRIPPERS

## NON-PRESSURE COMPENSATING BUTTON DRIPPERS (BD) (E)

Item Number	Model Number	Nominal Flow (GPH)	Color Code	Quantity Per Case/Bag	Price Each	Price Per Case or Bag	Price Per 1,000
20000-001048	01BD2	0.5	Red		0.3292	3,292.00	329.20
20000-001250	01BD4	1.0	Black	10,000	0.3292	3,292.00	329.20
20000-001350	01BD8	2.0	Green		0.3292	3,292.00	329.20
20000-001143	01BD2-B	0.5	Red		0.3680	92.00	368.00
20000-001235	01BD4-B	1.0	Black	250	0.3680	92.00	368.00
20000-001333	01BD8-B	2.0	Green		0.3680	92.00	368.00



BD DRIPPER

**NOTE:** On-Line Drippers Sold in Bag or Case Quantities ONLY

## WOODPECKER NON-PRESSURE COMPENSATING DRIPPERS (WP) (E)

Item Number	Model Number	Nominal Flow (GPH)	Color Code	Quantity Per Case/Bag	Price Each	Price Per Case or Bag	Price Per 1,000
20020-001545	01WP2	0.5	Red		0.5037	4,785.15	503.70
20020-001650	01WP4	1.0	Black	9,500	0.5037	4,785.15	503.70
20020-001750	01WP8	2.0	Green		0.5037	4,785.15	503.70
20020-001535	01WP2-B	0.5	Red		0.5710	142.75	571.00
20020-001635	01WP4-B	1.0	Black	250	0.5710	142.75	571.00
20020-001735	01WP8-B	2.0	Green		0.5710	142.75	571.00



WP DRIPPER

The nominal flow rate in liters per hour is indicated on the cap:

2 = 0.53 GPH, 4 = 1.06 GPH and 8 = 2.11 GPH

The WP barbed outlet fits 0.160"/0.220" Flex tubing (Model 15016022).

**NOTE:** On-Line Drippers Sold in Bag or Case Quantities ONLY



1



2

## ACCESSORIES (E)

Key	Item Number	Model Number	Description	Price Each
1	32000-001010	1107737-B	Dual Goof Plug - 3 mm/7 mm (Bag of 10 ea)	2.50
2	45000-001200	682901033	Plastic Hole Punch - 0.125", 3 mm	32.00



# PIPE & TUBING

Quick Selection Guide for Commonly Sold Products .....	62
FlexNet™ Flexible Pipe .....	63
FlexNet™ High Pressure Flexible Pipe .....	64
Polyethylene Tubing .....	65
Micro-Tubing .....	66
Oval Tube .....	66
Riser Line .....	66
QFlex Riser .....	67
FlexNet™ Fittings and Accessories .....	68
FlexNet™ Start Connectors .....	69
Oval Tube Accessories .....	69

# PIPE & TUBING

## QUICK SELECTION GUIDE FOR COMMONLY SOLD POLYETHYLENE AND OVAL TUBING NOT SUBJECT TO MINIMUM ORDER QUANTITY REQUIREMENTS (MOQ)

Netafim USA has a wide selection of polyethylene and oval tubing to fit numerous applications. Some products are stocking items which are not subject to minimum order quantity requirements and the following charts list those tubing options.

### POLYETHYLENE COILS PER PALLET

Product	Coils Per Pallet
Black Polyethylene	20
Bright White Polyethylene	20

### POLYETHYLENE TUBING - BLACK <sup>(M)</sup>

Model Number	Nominal Inside Diameter	Nominal Outside Diameter	Nominal Wall Thickness	Coil Length	Price Per 1,000'
14037545	0.375"	0.450"	0.375"	1,000'	Call for Quote
14052062-01	0.520"	0.620"	0.050"	100'	
14052062-05	0.520"	0.620"	0.050"	500'	Call for Quote
14052062	0.520"	0.620"	0.050"	1,000'	
14057066-01	0.570"	0.660"	0.045"	100'	
14057066-05	0.570"	0.660"	0.045"	500'	Call for Quote
14057066	0.570"	0.660"	0.045"	1,000'	
14060070-01	0.600"	0.700"	0.050"	100'	
14060070-05	0.600"	0.700"	0.050"	500'	Call for Quote
14006070	0.600"	0.700"	0.050"	1,000'	
14061071-01	0.610"	0.710"	0.050"	100'	Call for Quote
14062071-01	0.620"	0.710"	0.045"	100'	
14062071-05	0.620"	0.710"	0.045"	500'	Call for Quote
14062072	0.620"	0.720"	0.050"	1,000'	
14069079	0.690"	0.790"	0.050"	1,000'	Call for Quote
14070080	0.700"	0.800"	0.050"	1,000'	Call for Quote
14072082	0.720"	0.820"	0.050"	1,000'	Call for Quote
14072083	0.720"	0.830"	0.055"	1,000'	Call for Quote
14072084	0.720"	0.840"	0.060"	1,000'	Call for Quote
14082093-1000	0.820"	0.930"	0.055"	1,000'	Call for Quote
14082094-01	0.820"	0.940"	0.060"	100'	
14082094	0.820"	0.940"	0.060"	500'	Call for Quote
14082094-1000	0.820"	0.940"	0.060"	1,000'	
14083094-01	0.830"	0.940"	0.055"	510'	
14083094	0.830"	0.940"	0.055"	500'	Call for Quote
14083094-1000	0.830"	0.940"	0.055"	1,000'	
14106120-01	1.06"	1.200"	0.070"	100'	
14106120	1.06"	1.200"	0.070"	500'	Call for Quote
14106120-66	1.06"	1.200"	0.070"	660'	

### OVAL TUBE <sup>(M)</sup>

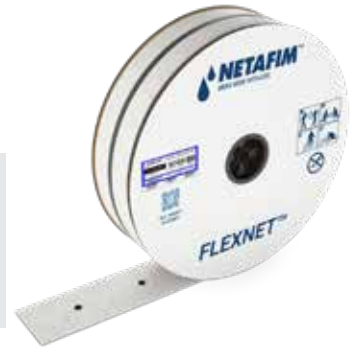
Model Number	Nominal Size	Pressure Rating (psi)	Coil Length	Nominal I.D.	Nominal O.D.	Price Per Coil
OT1.25-42-400	1.25"	42	400'	1.365"	1.499"	Call for Quote
OT1.50-21-600	1.50"	21	600'	1.595"	1.675"	Call for Quote
OT1.50-42-350	1.50"	42	350'	1.595"	1.758"	
OT2.00-21-450	2.00"	21	450'	2.052"	2.154"	Call for Quote
OT2.00-42-250	2.00"	42	250'	2.052"	2.261"	
OT3.00-21-200	3.00"	21	200'	3.042"	3.188"	Call for Quote
OT4.00-21-130	4.00"	21	130'	3.996"	4.186"	Call for Quote

# PIPE & TUBING

## FLEXNET™ FLEXIBLE PIPE



Item Number	Model Number	Nominal Size	Outlet Spacing	Coil Length	Weight Per Coil	Coils Per Pallet	Price Per Coil
43003-005242	05FX02PIPE50-30		30"				978.00
43003-005342	05FX02PIPE50-36		36"				934.00
43003-005442	05FX02PIPE50-40	2"	40"	328'	33 lbs.	22	912.00
43003-005542	05FX02PIPE50-60		60"				847.00
43003-005642	05FX02PIPE50-72		72"				825.00
43003-005742	05FX02PIPE50-80		80"				814.00
43003-005942	05FX03PIPE50-30		30"				1,238.00
43003-006042	05FX03PIPE50-36		36"				1,194.00
43003-006242	05FX03PIPE50-40	3"	40"	328'	46 lbs.	14	1,172.00
43003-006342	05FX03PIPE50-60		60"				1,107.00
43003-006400	05FX03PIPE50-72		72"				1,085.00
43003-006442	05FX03PIPE50-80		80"				1,074.00
43003-006642	05FX04PIPE50-30		30"				1,381.00
43003-006672	05FX04PIPE50-36		36"				1,337.00
43003-006842	05FX04PIPE50-40	4"	40"	328'	60 lbs.	12	1,315.00
43003-006942	05FX04PIPE50-60		60"				1,250.00
43003-006962	05FX04PIPE50-72		72"				1,228.00
43003-007042	05FX04PIPE50-80		80"				1,217.00
43003-007342	05FX06PIPE50-30		30"				1,830.00
43003-007442	05FX06PIPE50-36		36"				1,786.00
43003-007642	05FX06PIPE50-40	6"	40"	328'	82 lbs.	6	1,764.00
43003-007742	05FX06PIPE50-60		60"				1,699.00
43003-007842	05FX06PIPE50-72		72"				1,677.00
43003-007942	05FX06PIPE50-80		80"				1,666.00
43003-008042	05FX08PIPE50-30		30"				2,640.00
43003-008057	05FX08PIPE50-36		36"				2,596.00
43003-008142	05FX08PIPE50-40	8"	40"	328'	108 lbs.	6	2,574.00
43003-008172	05FX08PIPE50-60		60"				2,509.00
43003-008182	05FX08PIPE50-72		72"				2,487.00
43003-008202	05FX08PIPE50-80		80"				2,476.00
43002-000179	05FX02	2"			31 lbs.	22	715.00
43002-000199	05FX03	3"			44 lbs.	14	975.00
43002-000205	05FX04	4"	BLANK PIPE	328'	57 lbs.	12	1,118.00
43002-000222	05FX06	6"			79 lbs.	6	1,567.00
43002-000237	05FX08	8"			106 lbs.	6	2,377.00



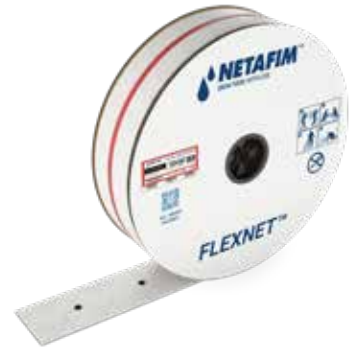
### CUSTOM PRODUCTS

Outlet spacings not listed above. Call Netafim USA Customer Service for quote and delivery timelines. Minimum order requirements and longer lead times apply. No returns on Custom Products.

# PIPE & TUBING

## FLEXNET™ HIGH PRESSURE FLEXIBLE PIPE

Item Number	Model Number	Nominal Size	Outlet Spacing	Coil Length	Weight Per Coil	Coils Per Pallet	Price Per Coil
43001-000110	05FXHP02PIPE50-20		20"				1,406.00
43001-000100	-		32"				958.00
43001-000056	05FXHP02PIPE50-120	2"	120"	328'	46 lbs.	22	1,078.00
43001-000048	05FXHP02PIPE50-192		192"				1,054.00
43001-000150	05FXHP02PIPE50-240		240"				1,077.00
43001-000053	05FXHP03PIPE50-72		72"				1,711.00
43001-000046	05FXHP04PIPE50-22		22"				2,355.00
43001-000041	05FXHP04PIPE50-24	3"	24"	328'	64 lbs.	14	2,326.00
43001-000051	05FXHP04PIPE50-34		34"				2,229.00
43001-001980	05FXHP04PIPE50-40		40"				2,194.00
43001-000045	05FXHP04PIPE50-60		60"				2,129.00
43001-000044	05FXHP04PIPE50-72		72"				2,107.00
43001-000038	05FXHP04PIPE50-80		80"				2,096.00
43001-000055	05FXHP04PIPE50-168	4"	168"	328'	84 lbs.	12	2,044.00
43001-000052	05FXHP04PIPE50-180		180"				2,041.00
43001-000042	05FXHP04PIPE50-295		295"				2,024.00
43001-000040	05FXHP04PIPE50-360		360"				2,019.00
43001-000037	05FXHP06PIPE50-20		20"				3,362.00
43001-000047	05FXHP06PIPE50-36		36"				3,187.00
43001-003802	05FXHP06PIPE50-40	6"	40"	328'	112 lbs.	6	3,165.00
43001-000043	05FXHP06PIPE50-72		72"				3,078.00
43001-000036	05FXHP06PIPE50-80		80"				3,067.00
43001-000050	05FXHP06PIPE50-300		300"				2,995.00
43001-000054	05FXHP08PIPE50-20		20"				4,279.00
43001-000039	05FXHP08PIPE50-36	8"	36"	328'	150 lbs.	6	4,104.00
43001-000049	05FXHP08PIPE50-300		300"				3,912.00
43000-000530	05FNHP02	2"			44 lbs.	22	1,012.00
43000-000560	05FNHP03	3"	BLANK		62 lbs.	14	1,601.00
43000-000600	05FNHP04	4"	PIPE	328'	80 lbs.	12	1,997.00
43000-000670	-	6"			110 lbs.	6	2,968.00
43000-000680	05FXHP08	8"			147 lbs.	6	3,885.00



### CUSTOM PRODUCTS

Outlet spacings not listed above. Call Netafim USA Customer Service for quote and delivery timelines. Minimum order requirements and longer lead times apply. No returns on Custom Products.



# PIPE & TUBING



## POLYETHYLENE TUBING - BLACK

(M)

Item Number	Model Number	Nominal Inside Diameter	Nominal Outside Diameter	Nominal Wall Thickness	Max. Working Pressure	Nominal Diameter (mm)	Coil Length	Price Per 1,000'
19951-000171	14040049	0.400"	0.490"	0.045"	75 psi	10.2 x 12.5	1,000'	Call for Quote
19951-000061	14052062-05	0.520"	0.620"	0.050"	55 psi	14.5 x 16.8	500'	Call for Quote
19951-000013	14052062	0.520"	0.620"	0.050"	66 psi	13.2 x 15.8	1,000'	
19951-000107	14057066	0.570"	0.660"	0.045"	66 psi	13.2 x 15.8	1,000'	Call for Quote
19951-000062	14057066-05	0.570"	0.660"	0.045"	55 psi	14.5 x 16.8	500'	
19951-000014	14060070	0.600"	0.700"	0.050"	58 psi	15.2 x 17.8	1,000'	Call for Quote
19951-000023	14060070-05	0.600"	0.700"	0.050"	58 psi	15.2 x 17.8	500'	
19951-000052	14062071	0.620"	0.710"	0.045"	51 psi	15.8 x 18.0	1,000'	Call for Quote
19951-000016	14062071-05	0.620"	0.710"	0.045"	51 psi	15.8 x 18.0	500'	
19951-000327	14069079	0.690"	0.790"	0.050"	51 psi	17.5 x 20.1	1,000'	Call for Quote
19951-000137	14070080	0.700"	0.800"	0.050"	50 psi	18.3 x 20.8	1,000'	Call for Quote
19951-000018	14072082	0.720"	0.820"	0.050"	49 psi	18.3 x 20.8	1,000'	Call for Quote
19951-000019	14072083	0.720"	0.830"	0.055"	53 psi	18.3 x 21.1	1,000'	Call for Quote
19951-000020	14072084	0.720"	0.840"	0.060"	58 psi	18.3 x 21.3	1,000'	Call for Quote
19951-000102	14074084	0.740"	0.840"	0.050"	48 psi	18.8 x 21.3	1,000'	Call for Quote
19951-000178	14082093	0.820"	0.930"	0.055"	47 psi	20.8 x 23.6	500'	Call for Quote
19951-000024	14082093-1000	0.820"	0.930"	0.055"	47 psi	20.8 x 23.6	1,000'	
19951-000060	14082094	0.820"	0.940"	0.060"	51 psi	20.8 x 23.9	500'	Call for Quote
19951-000026	14082094-1000	0.820"	0.940"	0.060"	51 psi	20.8 x 23.9	1,000'	
19951-000021	14083094	0.830"	0.940"	0.055"	46 psi	21.1 x 23.9	500'	Call for Quote
19951-000027	14083094-1000	0.830"	0.940"	0.055"	46 psi	21.1 x 23.9	1,000'	
40510-000020	14106120	1.060"	1.200"	0.070"	47 psi	26.9 x 30.5	500'	Call for Quote
19951-000206	14106120-25	1.060"	1.200"	0.070"	47 psi	26.9 x 30.5	250'	

## POLYETHYLENE TUBING - MADE TO ORDER PRODUCTS

Products listed in this Price List and not identified on the Quick Selection Guide for Commonly Sold Polyethylene and Oval Tube. Minimum order requirement is two (2) pallets or (40) coils.

## POLYETHYLENE TUBING - CUSTOM PRODUCTS

Products not listed in this Price List. Minimum order requirement is two (2) pallets or (40) coils. Please call Netafim USA Customer Service for Quote and Delivery Timelines.

## POLYETHYLENE PRE-PUNCHED TUBING

Available on Polyethylene Tubing with Nominal Wall Thickness of 0.050".  
SPECIAL ORDER ONLY - Requires a minimum order requirement of two (2) pallets or (40) coils.  
Please call Netafim USA Customer Service for Quote and Delivery Timelines.

## POLYETHYLENE TUBING WITH PRE-INSTALLED VINELINE CLIPS

Available on select sizes of Polyethylene Tubing.  
SPECIAL ORDER ONLY - Requires a minimum order requirement of two (2) pallets or (40) coils.  
Please call Netafim USA Customer Service for Quote and Delivery Timelines.

## BRIGHT WHITE POLYETHYLENE TUBING - MADE TO ORDER

Requires a minimum order of one (1) pallet or (20) coils. Please call Netafim USA Customer Service for Quote and Delivery Timelines.

## BRIGHT WHITE POLYETHYLENE TUBING - CUSTOM PRODUCTS

Requires a minimum order of one (1) pallet or (20) coils. Please call Netafim USA Customer Service for Quote and Delivery Timelines.

# PIPE & TUBING

## MICRO-TUBING

(M)

Item Number	Model Number	Nominal Inside Diameter	Nominal Outside Diameter	Coil Length	Price Per 1,000'	Price Per Coil
40001-000700	15016022	0.160"	0.220"	1,000'	143.00	160.00
76301-000002	15PVC53	0.125"	0.197"	1,000'	142.50	160.00
40001-002000	15FPE53	0.125"	0.197"	3,000'	81.20	90.00



## OVAL TUBE

(M)

Item Number	Model Number	Nominal Size	Pressure Rating (psi)	Coil Length	Nominal I.D.	Nominal O.D.	Coil Weight	Price Per Coil
19953-000174	OT1.25-29-500	1.25"	29	500'	1.365"	1.461"	43 lbs.	Call for Quote
19953-000175	OT1.25-42-400	1.25"	42	400'	1.365"	1.499"	49 lbs.	
19953-000176	OT1.50-21-600	1.50"	21	600'	1.595"	1.675"	52 lbs.	Call for Quote
19953-000177	OT1.50-42-350	1.50"	42	350'	1.595"	1.758"	62 lbs.	
19953-000178	OT2.00-21-450	2.00"	21	450'	2.052"	2.154"	62 lbs.	Call for Quote
19953-000179	OT2.00-42-250	2.00"	42	250'	2.052"	2.261"	70 lbs.	
19953-000180	OT2.50-21-350	2.50"	21	350'	2.450"	2.567"	64 lbs.	Call for Quote
19953-000181	OT3.00-21-200	3.00"	21	200'	3.042"	3.188"	57 lbs.	Call for Quote
19953-000182	OT4.00-21-130	4.00"	21	130'	3.996"	4.186"	63 lbs.	Call for Quote

**NOTE:** 1.25", 1.50", 2.00" and 2.50" Oval Tube - 12 coils per pallet.  
3.00" and 4.00" Oval Tube - 20 coils per pallet.

**MADE TO STOCK ORDERS** - Products listed in this Price List and not identified on the Quick Selection Guide for Commonly Sold Polyethylene and Oval Tubing. Minimum order requirement is one (1) pallet or (12 or 20) coils.

**CUSTOM ORDERS** - Products not listed in this Price List. Minimum order requirement (1) pallet or (12 or 20) coils.

## RISER LINE

(M)



Item Number	Model Number	Description	Use With	Coil Length	Price Each
19951-000092	14051061-OD	0.510" x 0.610" O.D. PE Riser Line	.636"/.638" TWD	1,000'	Call
19951-000089	14070082-OD	0.700" x 0.820" O.D. PE Riser Line	.875" TWD	1,000'	For
19951-000091	14082094-OD	0.820" x 0.940" O.D. PE Riser Line	.990" TWD	1,000'	Quote

O.D. = Outside Diameter  
PE = Polyethylene Tubing  
TWD = Thinwall Dripline

# PIPE & TUBING

## QFLEX LP RISERS



Item Number	Model Number	Description	Size	Length	Size	Qty Per Box	Price Each	List Price
32015-000220	QFL50MXT630RL24-B	QFLEX LP 050 MPT X T630 RL 24" 400/C		24"		400	4.12	1,648.00
32015-000221	QFL50MXT630RL30-B	QFLEX LP 050 MPT X T630 RL 30" 400/C		30"		400	4.58	1,831.00
32015-000222	QFL50MXT630RL40-B	QFLEX LP 050 MPT X T630 RL 40" 200/C	1/2" MPT	40"	5/8" Ring Loc	200	5.32	1,064.00
32015-000223	QFL50MXT630RL48-B	QFLEX LP 050 MPT X T630 RL 48" 200/C		48"		200	6.13	1,226.00
32015-000228	QFL50MXT630TL24-B	QFLEX LP 050 MPT X T630 TL 24" 300/C		24"		300	4.37	1,310.00
32015-000229	QFL50MXT630TL30-B	QFLEX LP 050 MPT X T630 TL 30" 300/C	1/2" MPT	30"	5/8" Twist Loc	300	4.82	1,447.00
32015-000230	QFL50MXT630TL40-B	QFLEX LP 050 MPT X T630 TL 40" 150/C		40"		150	5.57	835.00
32015-000231	QFL50MXT630TL48-B	QFLEX LP 050 MPT X T630 TL 48" 150/C		48"		150	6.37	956.00
32015-000232	QFL50MXH520I24-B	QFLEX LP 050 MPT X 16 INSERT 24" 400/C		24"		400	3.62	1,448.00
32015-000233	QFL50MXH520I30-B	QFLEX LP 050 MPT X 16 INSERT 30" 400/C	1/2" MPT	30"	16mm Barb	400	4.08	1,630.00
32015-000234	QFL50MXH520I40-B	QFLEX LP 050 MPT X 16 INSERT 40" 200/C		40"		200	4.82	964.00
32015-000235	QFL50MXH520I48-B	QFLEX LP 050 MPT X 16 INSERT 48" 200/C		48"		200	5.63	1,125.00
32015-000268	QFLPVCXT630RL24-B	QFLEX LP PVC X T630 RL 24" 400/C		24"		400	4.12	1,648.00
32015-000269	QFLPVCXT630RL30-B	QFLEX LP PVC X T630 RL 30" 400/C	Barb w/ Grommet	30"	5/8" Ring Loc	400	4.58	1,831.00
32015-000270	QFLPVCXT630RL40-B	QFLEX LP PVC X T630 RL 40" 200/C		40"		200	5.32	1,064.00
32015-000271	QFLPVCXT630RL48-B	QFLEX LP PVC X T630 RL 48" 200/C		48"		200	6.13	1,226.00
32015-000276	QFLPVCXT630TL24-B	QFLEX LP PVC X T630 TL 24" 300/C		24"		300	4.37	1,310.00
32015-000277	QFLPVCXT630TL30-B	QFLEX LP PVC X T630 TL 30" 300/C	Barb w/ Grommet	30"	5/8" Twist Loc	300	4.82	1,447.00
32015-000278	QFLPVCXT630TL40-B	QFLEX LP PVC X T630 TL 40" 150/C		40"		150	5.57	835.00
32015-000279	QFLPVCXT630TL48-B	QFLEX LP PVC X T630 TL 48" 150/C		48"		150	6.37	956.00
32015-000280	QFLPVCXH520I24-B	QFLEX LP PVC X 16 INSERT 24" 400/C	Barb w/ Grommet	24"	16mm Barb	400	3.62	1,448.00
32015-000281	QFLPVCXH520I30-B	QFLEX LP PVC X 16 INSERT 30" 400/C		30"		400	4.08	1,630.00
32015-000282	QFLPVCXH520I40-B	QFLEX LP PVC X 16 INSERT 40" 200/C		40"		200	4.82	964.00
32015-000283	QFLPVCXH520I48-B	QFLEX LP PVC X 16 INSERT 48" 200/C		48"		200	5.63	1,125.00
32015-000300	QFL50MXT630TLV24-B	QFLEX LP 050 MPT X T630 TLV 24" 300/C		24"		300	6.37	1,910.00
32015-000301	QFL50MXT630TLV30-B	QFLEX LP 050 MPT X T630 TLV 30" 300/C	1/2" MPT	30"	5/8" Twist Loc Valve	300	6.82	2,047.00
32015-000302	QFL50MXT630TLV40-B	QFLEX LP 050 MPT X T630 TLV 40" 150/C		40"		150	7.57	1,135.00
32015-000303	QFL50MXT630TLV48-B	QFLEX LP 050 MPT X T630 TLV 48" 150/C		48"		150	8.37	1,256.00



## QFLEX HP RISERS

Item Number	Model Number	Description	Size	Length	Size	Qty Per Box	Price Each	List Price
32010-002500	QFH50MXT875RL-24B	QFLEX HP 050 MPT X T875 RL 24" 200/C		24"		200	5.38	1,076.00
32010-003020	QFH50MXT875RL-30B	QFLEX HP 050 MPT X T875 RL 30" 200/C		30"		200	5.93	1,185.00
32010-002501	QFH50MXT875RL-40B	QFLEX HP 050 MPT X T875 RL 40" 100/C	1/2" MPT	40"	7/8" Ring Loc	100	6.83	683.00
32010-002502	QFH50MXT875RL-48B	QFLEX HP 050 MPT X T875 RL 48" 100/C		48"		100	7.76	776.00
32010-002520	QFH50MXT875TL-24B	QFLEX HP 050 MPT X T875 TL 24" 200/C		24"		200	6.18	1,236.00
32010-003021	QFH50MXT875TL-30B	QFLEX HP 050 MPT X T875 TL 30" 200/C	1/2" MPT	30"	7/8" Twist Loc	200	6.73	1,345.00
32010-002521	QFH50MXT875TL-40B	QFLEX HP 050 MPT X T875 TL 40" 100/C		40"		100	7.63	763.00
32010-002522	QFH50MXT875TL-48B	QFLEX HP 050 MPT X T875 TL 48" 100/C		48"		100	8.56	856.00
32010-002540	QFH50MXT875WT-24B	QFLEX HP 050 MPT X T875 WT 24" 200/C		24"		200	3.61	722.00
32010-003022	QFH50MXT875WT-30B	QFLEX HP 050 MPT X T875 WT 30" 200/C	1/2" MPT	30"	7/8" Wire Tie	200	4.14	827.00
32010-002541	QFH50MXT875WT-40B	QFLEX HP 050 MPT X T875 WT 40" 100/C		40"		100	5.01	501.00
32010-002542	QFH50MXT875WT-48B	QFLEX HP 050 MPT X T875 WT 48" 100/C		48"		100	6.00	600.00
32010-002610	QFHPVCTX875RL-24B	QFLEX HP PVC X T875 RL 24" 200/C		24"		200	5.38	1,076.00
32010-003026	QFHPVCTX875RL-30B	QFLEX HP PVC X T875 RL 30" 200/C	Barb w/ Grommet	30"	7/8" Ring Loc	200	5.83	1,185.00
32010-002635	QFHPVCTX875RL-40B	QFLEX HP PVC X T875 RL 40" 100/C		40"		100	6.83	683.00
32010-002612	QFHPVCTX875RL-48B	QFLEX HP PVC X T875 RL 48" 100/C		48"		100	7.76	776.00
32010-002620	QFHPVCTX875TL-24B	QFLEX HP PVC X T875 TL 24" 200/C		24"		200	6.18	1,236.00
32010-003027	QFHPVCTX875TL-30B	QFLEX HP PVC X T875 TL 30" 200/C	Barb w/ Grommet	30"	7/8" Twist Loc	200	6.73	1,345.00
32010-002621	QFHPVCTX875TL-40B	QFLEX HP PVC X T875 TL 40" 100/C		40"		100	7.63	763.00
32010-002622	QFHPVCTX875TL-48B	QFLEX HP PVC X T875 TL 48" 100/C		48"		100	8.56	856.00
32010-002630	QFHPVCTX875WT-24B	QFLEX HP PVC X T875 WT 24" 200/C		24"		200	3.61	722.00
32010-003028	QFHPVCTX875WT-30B	QFLEX HP PVC X T875 WT 30" 200/C	Barb w/ Grommet	30"	7/8" Wire Tie	200	4.14	827.00
32010-002631	QFHPVCTX875WT-40B	QFLEX HP PVC X T875 WT 40" 100/C		40"		100	5.01	501.00
32010-002632	QFHPVCTX875WT-48B	QFLEX HP PVC X T875 WT 48" 100/C		48"		100	6.00	600.00
32010-002640	QFH50MXH520I-24B	QFLEX HP 050 MPT X H520I 24" 200/C	1/2" MPT	24"	16mm Barb	200	5.19	1,038.00
32010-003029	QFH50MXH520I-30B	QFLEX HP 050 MPT X H520I 30" 200/C		30"		200	5.74	1,148.00
32010-002641	QFH50MXH520I-40B	QFLEX HP 050 MPT X H520I 40" 100/C		40"		100	6.64	664.00
32010-002642	QFH50MXH520I-48B	QFLEX HP 050 MPT X H520I 48" 100/C		48"		100	7.57	757.00
32010-002660	QFH50MXH690I-24B	QFLEX HP 050 MPT X H690I 24" 200/C	1/2" MPT	24"	20mm Barb	200	4.70	939.00
32010-003031	QFH50MXH690I-30B	QFLEX HP 050 MPT X H690I 30" 200/C		30"		200	5.24	1,048.00
32010-002661	QFH50MXH690I-40B	QFLEX HP 050 MPT X H690I 40" 100/C		40"		100	6.14	614.00
32010-002662	QFH50MXH690I-48B	QFLEX HP 050 MPT X H690I 48" 100/C		48"		100	7.07	707.00
32010-002728	QFH50MXT630RL-24B	QFLEX HP 050 MPT X T630 RL 24" 200/C		24"		200	5.38	1,076.00
32010-003038	QFH50MXT630RL-30B	QFLEX HP 050 MPT X T630 RL 30" 200/C	1/2" MPT	30"	5/8" Ring Loc	200	5.83	1,185.00
32010-002731	QFH50MXT630RL-40B	QFLEX HP 050 MPT X T630 RL 40" 100/C		40"		100	6.83	683.00
32010-002732	QFH50MXT630RL-48B	QFLEX HP 050 MPT X T630 RL 48" 100/C		48"		100	7.76	776.00
32010-002740	QFHPVCTX630RL-24B	QFLEX HP PVC X T630 RL 24" 200/C		24"		200	5.38	1,076.00
32010-003039	QFHPVCTX630RL-30B	QFLEX HP PVC X T630 RL 30" 200/C	Barb w/ Grommet	30"	5/8" Ring Loc	200	5.00	1,185.00
32010-002741	QFHPVCTX630RL-40B	QFLEX HP PVC X T630 RL 40" 100/C		40"		100	6.83	683.00
32010-002742	QFHPVCTX630RL-48B	QFLEX HP PVC X T630 RL 48" 100/C		48"		100	7.76	776.00



# PIPE & TUBING

## QFLEX TOOLS AND ACCESSORIES

(1)

Item Number	Model Number	Description	Qty Per Box	Price Each	List Price
32000-007015	HGROMM690-B	Grommet F/ 520/640/680 PVC Adapter	50	0.74	37.00
45000-002755	TDBIT16	16MM Drill Bit for PVC	1	80.00	
75000-001010	QFLEXCOUP20	Qflex Riser Coupler HP	1	2.20	2.20
75000-001000	QFLEXCOUP16	Qflex Riser Coupler LP	1	2.20	2.20
78220-009655	05FX050STEL-B	FlexNet Street Elbow	50	1.67	83.50
78220-009660	05FX050STEEFMF-B	FlexNet Street Tee	50	3.20	160.00



## FLEXNET™ FITTINGS AND ACCESSORIES

(v)

Key	Item Number	Model Number	Description	Price Each
1	43040-018000	05FX02CPLRCONN	2" Coupler Connector Kit	29.00
	43040-018150	05FX03CPLRCONN	3" Coupler Connector Kit	35.00
	43040-018300	05FX04CPLRCONN	4" Coupler Connector Kit	41.00
	43040-031600	05FX06PXCPLRCONN	6" Coupler Connector Kit	119.00
	43040-031700	05FX08PXCPLRCONN	8" Coupler Connector Kit	343.00
2	43040-020710	05FX02ENDCAP	2" END CAP	16.00
	43040-020720	05FX03ENDCAP	3" END CAP	20.00
	43040-020730	05FX04ENDCAP	4" END CAP	24.00
3	43040-018205	05FX02MPTXBARB-NPT	FX 2" NPT X 2" Barb Kit FXN MTH	36.00
	43040-018210	05FX03MPTXBARB-NPT	FX 3" NPT X 3" Barb Kit FXN MTH	46.00
	43040-018380	05FX04MPTXBARB-NPT	FX 4" NPT X 4" Barb Kit FXN MTH	60.00
4	43040-018605	05FX02SXBCONN	2" Spigot X Barb Connector Kit	17.00
	43040-018610	05FX03SXBCONN	3" Spigot X Barb Connector Kit	21.00
	43040-018381	05FX04SXBCONN	4" Spigot X Barb Connector Kit	60.00
4a	43040-032400	05FX06SXBCONN	6" Spigot X Barb Connector Kit	82.00
	43040-032500	05FX08SXBCONN	8" Spigot X Barb Connector Kit	265.00
5	43040-006200	05FX02SEAL	2" Rubber Seal	2.40
	43040-006230	05FX03SEAL	3" Rubber Seal	2.80
	43040-006260	05FX04SEAL	4" Rubber Seal	3.00
	43020-010000	05FX06SEAL	6" Rubber Seal	21.00
	43020-010050	05FX08SEAL	8" Rubber Seal	40.00
6	43020-010380	05FX02CLAMP	2" Stainless Steel Clamp	6.20
	43020-010390	05FX03CLAMP	3" Stainless Steel Clamp	8.80
	43020-010405	05FX04CLAMP	4" Stainless Steel Clamp	14.00
	43020-010415	05FX06CLAMP	6" Stainless Steel Clamp	19.00
	43020-010425	05FX08CLAMP	8" Stainless Steel Clamp	21.00
7	42000-027105	05FXPLUG050MPT-B	1/2" MPT Short Plug (Bag Qty 50)	27.00
8	70561-000800	AV-COMBO-050	1/2" Mini Combination Air Vent	67.00
9	32520-000261	T630TLTMA050-B	630 Series TWD to TWD to 1/2" MPT 50/BG	68.50
	32520-000281	T875TLTMA050-B	875 Series TWD to TWD to 1/2" MPT 50/BG	93.50
	32520-000161	T630TLELMA050-B	630 Series TWD to 1/2" MPT 50/BG	59.00
	32520-000181	T875TLELMA050-B	875 Series TWD to 1/2" MPT 50/BG	73.50
	32500-034040	05FX050MELX875FR-B	FX 1/2" EL MPT X TWD 875 Series FR 100BG	106.90
	32500-034130	05FX050MTEX875FR-B	FX 1/2" TEE MPT X TWD 875 Series FR 100BG	155.40
10	42000-007000	05FXNETAFIXKIT	FlexNet Patch Kit (punch, 20 plugs/washers)	154.00
11	42000-007010	05FXNETAFIXPLUGS	FlexNet Patch Kit (20 plugs/washers)	89.80
12	43040-018301	05FX04PXCNPXLFK	FlexNet 4" Transition Coupler x LayFlat Kit	164.00
	43040-031606	05FX06PXCNPXLFK	FlexNet 6" Transition Coupler x LayFlat Kit	246.00
	43040-031702	05FX08PXCNPXLFK	FlexNet 8" Transition Coupler x LayFlat Kit	376.00



# PIPE & TUBING



①



②



③

## FLEXNET™ START CONNECTORS

Ⓥ

Key	Item Number	Model Number	Description	Qty Per Bag	Price Per Bag
1	32520-000261	T630TLTMA050-B	630 Series Thinwall Tee Connector	50	68.50
	32520-000281	T875TLTMA050-B	875 Series Thinwall Tee Connector	50	93.50
2	32520-000161	T630TLELMA050-B	630 Series Thinwall Elbow Connector	50	59.00
	32520-000181	T875TLELMA050-B	875 Series Thinwall Elbow Connector	50	73.50
-	32500-034130	05FX050MTEX875FR-B	875 Series TWD Tee Connector Fast Ring	100	104.00
	32500-034040	05FX050MELX875FR-B	875 Series TWD Elbow Connector Fast Ring	100	63.00
3	32500-012701	05FX50MELX16MM-B	16mm Elbow Connector	50	48.50
	32500-014515	05FX050MELX20MM-B	20mm Elbow Connector	50	62.00

All Start Connectors include O-Rings



①



②

## OVAL TUBE ACCESSORIES

Ⓜ

Key	Item Number	Model Number	Description	Punch Size	Qty Per Bag	Price Per Bag
1	32520-000651	T630TL250B-B	630 Series from Oval (LDPE) Tube to TWD	10 mm	50	31.50
	32520-000701	T630TL400B-B	630 Series from Oval (LDPE) Tube to TWD	10 mm	50	25.50
	32520-000431	T630TL700B-B	630 Series from Oval (LDPE) Tube to TWD	10 mm	50	81.50
	32520-000711	T875TL400B-B	875 Series from Oval (LDPE) Tube to TWD	10 mm	50	100.00
	32520-000441	T875TL700B-B	875 Series from Oval (LDPE) Tube to TWD	10 mm	50	68.50
2	32540-000251	T630TLV250B-B	630 Series TWD x Valve x 250 Barb	10 mm	50	\$125.50
	32540-000701	T630TLV400B-B	630 Series TWD x Valve x 400 Barb	10 mm	50	\$125.50
	32540-000271	T875TLV400B-B	875 Series TWD x Valve x 400 Barb	10 mm	50	\$150.50





# SPRINKLERS

MegaNet .....	72
SuperNet UD - Rotating .....	73
SuperNet - Rotating .....	74
SuperNet - Jet .....	75
SuperNet Jr. ....	76
NetJet .....	77
SuperNet and SuperNet Jr. Components .....	78
MegaNet Components and Accessories .....	79
SuperNet and SuperNet Jr. Accessories .....	80
NetJet Components .....	80

# SPRINKLERS



## MEGANET - ROTATING SPRINKLER

Standard In-Stock Items - Available to ship within 2 business days - subject to order quantity

(E)

Item Number	Model Number	Description	Nominal Flow Rate	Trajectory	Price Each
63600-001700	MGN24D-088HO	Sprinkler Head Only - Yellow Nozzle	0.88 GPM	High - 24°	9.00
63600-001750	MGN24D-110HO	Sprinkler Head Only - Purple Nozzle	1.10 GPM		9.00
63600-001000	MGN24D-154HO	Sprinkler Head Only - Green Nozzle	1.54 GPM		9.00
63600-002000	MGN24D-198HO	Sprinkler Head Only - Blue Nozzle	1.98 GPM		9.00
63600-003000	MGN24D-242HO	Sprinkler Head Only - Brown Nozzle	2.42 GPM		9.00
63600-004000	MGN24D-286HO	Sprinkler Head Only - Orange Nozzle	2.86 GPM		9.00
63600-004500	MGN24D-330HO	Sprinkler Head Only - Red Nozzle	3.30 GPM		9.00
63600-004900	MGN15D-088HO	Sprinkler Head Only - Yellow Nozzle	0.88 GPM	Low - 15°	9.00
63600-004950	MGN15D-110HO	Sprinkler Head Only - Purple Nozzle	1.10 GPM		9.00
63600-005000	MGN15D-154HO	Sprinkler Head Only - Green Nozzle	1.54 GPM		9.00
63600-006000	MGN15D-198HO	Sprinkler Head Only - Blue Nozzle	1.98 GPM		9.00
63600-007000	MGN15D-242HO	Sprinkler Head Only - Brown Nozzle	2.42 GPM		9.00
63600-008000	MGN15D-286HO	Sprinkler Head Only - Orange Nozzle	2.86 GPM		9.00

Nominal flow rate at 33 psi.



# SPRINKLERS

## SUPERNET UD ROTATING ORDERING GUIDELINES

<b>035</b>	<b>Inlet Connector</b>	<b>Swivel</b>	<b>Model</b>	<b>Tube Length</b>	<b>Weight</b>
	Quick Connect Thread 2	Upside Down (UD) 7	Brown 030 Sky Blue 035 Blue 040 Green 050 Gray 058 Black 070 Orange 090	No Tube 00 12" 12 18" 18 24" 24 30" 30	With Weight 1 No Weight 0

## SUPERNET UD ROTATING - FLOW REGULATED MICRO-SPRINKLER

Available to ship within 10 business days - subject to order quantity

(E)

Item Number	Model Number	Description	Nominal Flow Rate	Quantity Per Bundle	Price Each
63500-000021	035270300000	Sprinkler Head Only - Brown	7.9 GPH		4.06
63500-000044	035270350000	Sprinkler Head Only - Sky Blue	9.2 GPH		4.06
63500-000029	035270400000	Sprinkler Head Only - Blue	10.6 GPH		4.06
63500-000064	035270500000	Sprinkler Head Only - Green	13.2 GPH		4.06
63500-000030	035270580000	Sprinkler Head Only - Gray	15.3 GPH	-	4.06
63500-000065	035270700000	Sprinkler Head Only - Black	18.5 GPH		4.06
63500-000072	035270900000	Sprinkler Head Only - Orange	23.8 GPH		4.06



# SPRINKLERS

## SUPERNET ROTATING ORDERING GUIDELINES

<b>031</b>	<b>Inlet Connector</b>	<b>Swivel</b>	<b>Model</b>	<b>Stream Splitter</b>	<b>Tube Length</b>	<b>Stake</b>
	Quick Connect Thread 2	Long Range (LR) 1 Long Range with Stream Deflector (LRD) 2 Medium Range (MR) 5 Medium Range with Stream Deflector (MRD) 6 Short Range (SR) 3 Short Range with Stream Deflector (SRD) 4	Purple * 020 Light Green 028 Brown 030 Sky Blue 035 Blue 040 Green 050 Gray 058 Black 070 Orange * 090	No Splitter 0 1 Installed 1 2 Installed 2	No Tube 00 30" (STD) 30 36" 36 48" 48	No Stake 0E With Stake 1E

\* Not available with MR or MRD Swivel

## SUPERNET ROTATING - FLOW REGULATED MICRO-SPRINKLER

Standard In-Stock Items - Available to ship within 2 business days - subject to order quantity

(E)

Item Number	Model Number	Description	Nominal Flow Rate	Quantity Per Bundle	Price Each
63500-053360	031210200000E	Sprinkler Head Only - Purple	5.3 GPH		3.30
63500-054620	031210280000E	Sprinkler Head Only - Light Green	7.4 GPH		3.30
63500-054660	031210300000E	Sprinkler Head Only - Brown	7.9 GPH		3.30
63500-063730	031210350000E	Sprinkler Head Only - Sky Blue	9.2 GPH		3.30
63500-055960	031210400000E	Sprinkler Head Only - Blue	10.6 GPH	-	3.30
63500-057260	031210500000E	Sprinkler Head Only - Green	13.2 GPH		3.30
63500-058560	031210580000E	Sprinkler Head Only - Gray	15.3 GPH		3.30
63500-059860	031210700000E	Sprinkler Head Only - Black	18.5 GPH		3.30
63500-061160	031210900000E	Sprinkler Head Only - Orange	23.8 GPH		3.30
63501-000170	031210200301E	Purple Full Assembly, LR Swivel, 30" Tube and Stake	5.3 GPH		4.81
63501-000190	031210280301E	Light Green Full Assembly, LR Swivel, 30" Tube and Stake	7.4 GPH		4.81
63501-000200	031210300301E	Brown Full Assembly, LR Swivel, 30" Tube and Stake	7.9 GPH		4.81
63501-000220	031210350301E	Sky Blue Full Assembly, LR Swivel, 30" Tube and Stake	9.2 GPH		4.81
63501-000270	031210400301E	Blue Full Assembly, LR Swivel, 30" Tube and Stake	10.6 GPH	25	4.81
63501-000320	031210500301E	Green Full Assembly, LR Swivel, 30" Tube and Stake	13.2 GPH		4.81
63501-000350	031210580301E	Gray Full Assembly, LR Swivel, 30" Tube and Stake	15.3 GPH		4.81
63501-000380	031210700301E	Black Full Assembly, LR Swivel, 30" Tube and Stake	18.5 GPH		4.81
63501-000430	031210900301E	Orange Full Assembly, LR Swivel, 30" Tube and Stake	23.8 GPH		4.81

## STANDARD NON-STOCK ITEMS

Available to ship within 10 business days - subject to order quantity. Requires additional assembly.

SuperNet - Swivel Spray Options
Long Range Swivel with Deflector
Medium Range Swivel
Medium Range Swivel with Deflector
Short Range Swivel
Short Range Swivel with Deflector
1 or 2 Installed Stream Splitters
No Tubing
36" or 48" Tubing Lead
No Stake

## ROTATING MODELS

Model Color	Color Code
Purple	020
Light Green	028
Brown	030
Sky Blue	035
Blue	040
Green	050
Gray	058
Black	070
Orange	090



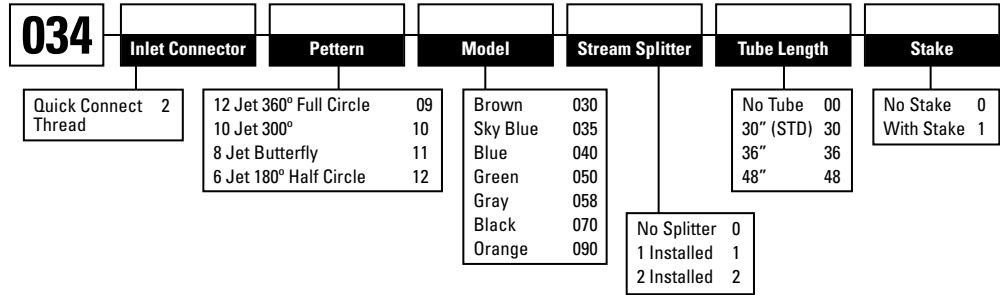
## SPECIAL ORDER NON-STOCK ITEMS

Call for Shipping Timelines.

SuperNet - Swivel Spray Options
Barb Inlet Connector

# SPRINKLERS

## SUPERNET JET ORDERING GUIDELINES



## SUPERNET JET - FLOW REGULATED MICRO-SPRINKLER

Standard In-Stock Items - Available to ship within 2 business days - subject to order quantity

(E)

Item Number	Model Number	Description	Nominal Flow Rate	Quantity per Bundle	Price Each
63500-096250	0342090300000	Sprinkler Head Only - Brown	7.9 GPH		3.30
63500-096910	0342090350000	Sprinkler Head Only - Sky Blue	9.2 GPH		3.30
63500-097550	0342090400000	Sprinkler Head Only - Blue	10.6 GPH		3.30
63500-098850	0342090500000	Sprinkler Head Only - Green	13.2 GPH	-	3.30
63500-100150	0342090580000	Sprinkler Head Only - Gray	15.3 GPH		3.30
63500-101450	0342090700000	Sprinkler Head Only - Black	18.5 GPH		3.30
63500-102750	0342090900000	Sprinkler Head Only - Orange	23.8 GPH		3.30
63501-000830	0342090300301	Brown Full Assembly, 360° Circle, 30" Tube and Stake	7.9 GPH		4.52
63501-000777	0342090350301	Sky Blue Assembly, 360° Circle, 30" Tube and Stake	9.2 GPH		4.52
63501-000850	0342090400301	Blue Full Assembly, 360° Circle, 30" Tube and Stake	10.6 GPH		4.52
63501-000880	0342090500301	Green Full Assembly, 360° Circle, 30" Tube and Stake	13.2 GPH	25	4.52
63501-000900	0342090580301	Gray Full Assembly, 360° Circle, 30" Tube and Stake	15.3 GPH		4.52
63501-000891	0342090700301	Black Full Assembly, 360° Circle, 30" Tube and Stake	18.5 GPH		4.52
63501-001128	0342090900301	Orange Full Assembly, 360° Circle, 30" Tube and Stake	23.8 GPH		4.52

## STANDARD NON-STOCK ITEMS

Available to ship within 10 business days - subject to order quantity. Requires additional assembly.

SuperNet - Jet Spray Options
10 Jet 300° Spray Pattern
8 Jet Butterfly Spray Pattern
1 or 2 Installed Stream Splitters
No Tubing
36" or 48" Tubing Lead
No Stake

## JET MODELS

Model Color	Color Code
Brown	030
Sky Blue	035
Blue	040
Green	050
Gray	058
Black	070
Orange	090



## SPECIAL ORDER NON-STOCK ITEMS

Call for Shipping Timelines.

SuperNet - Jet Spray Options
Barb Inlet Connector

# SPRINKLERS

## SUPERNET JR ORDERING GUIDELINES

<b>032</b>	<b>Inlet Connector</b>	<b>Swivel</b>	<b>Model</b>	<b>Stream Splitter</b>	<b>Tube Length</b>	<b>Stake</b>
	Quick Connect Thread 2	Long Range (LR) 1 Long Range with Stream Deflector (LRD) 2 Short Range (SR) 3 Short Range with Stream Deflector (SRD) 4	Brown 028 Blue 040 Gray 058 Black 070 Orange 090 Red 120 Sky Blue 150	No Splitter 0 1 Installed 1 2 Installed 2	No Tube 00 30" (STD) 30 36" 36 48" 48	No Stake 0E With Stake 1E

## SUPERNET JR. - NON-FLOW REGULATED ROTATING MICRO-SPRINKLER

Standard In-Stock Items - Available to ship within 2 business days - subject to order quantity

(E)

Item Number	Model Number	Description	Nominal Flow Rate	Quantity per Bundle	Price Each
64000-000805	032210280000E	Sprinkler Head Only - Brown	6.4 GPH		2.10
64000-001010	032210400000	Sprinkler Head Only - Blue	9.5 GPH		2.10
64000-002262	032210580000E	Sprinkler Head Only - Gray	13.8 GPH		2.10
64000-002305	032210700000E	Sprinkler Head Only - Black	16.7 GPH	-	2.10
64000-003557	032210900000E	Sprinkler Head Only - Orange	21.4 GPH		2.10
64000-003610	032211200000E	Sprinkler Head Only - Red	30.0 GPH		2.10
64000-012507	032211500000E	Sprinkler Head Only - Sky Blue	35.0 GPH		2.10
64000-000807	032210280301E	Brown Full Assembly, LR Swivel, 30" Tube and Stake	6.4 GPH		3.52
64001-000100	032210400301E	Blue Full Assembly, LR Swivel, 30" Tube and Stake	9.5 GPH		3.52
64001-000110	032210580301E	Gray Full Assembly, LR Swivel, 30" Tube and Stake	13.8 GPH		3.52
64001-000120	032210700301E	Black Full Assembly, LR Swivel, 30" Tube and Stake	16.7 GPH	25	3.52
64001-000130	032210900301E	Orange Full Assembly, LR Swivel, 30" Tube and Stake	21.4 GPH		3.52
64001-000140	032211200301E	Red Full Assembly, LR Swivel, 30" Tube and Stake	30.0 GPH		3.52
64001-000300	032211500301E	Sky Blue Full Assembly, LR Swivel, 30" Tube and Stake	35.0 GPH		3.52

## STANDARD NON-STOCK ITEMS

Available to ship within 10 business days - subject to order quantity. Requires additional assembly.

SuperNet Jr. Options
Long Range Swivel with Deflector
Short Range Swivel
Short Range Swivel with Deflector
1 or 2 Installed Stream Splitters
No Tubing
36" or 48" Tubing Lead
No Stake

## SUPERNET JR. MODELS

Model Color	Color Code
Brown	028
Blue	040
Gray	058
Black	070
Orange	090



## SPECIAL ORDER NON-STOCK ITEMS

Call for Shipping Timelines.

SuperNet Jr. Options
Barb Inlet Connector

# SPRINKLERS

## NETJET ORDERING GUIDELINES

<b>037</b>	<b>Spray Pattern</b>	<b>Model</b>	<b>Tube Length</b>	<b>Stake</b>
	12 Stream 360° Hi/Low 121 Butterfly Stream 122 8 Stream 210° Circle 123 22 Stream 360° Full Circle 125 12 Stream 360° Full Circle 126 Rectangular Stream 127 10 Stream 300° Tree Notch 128	Black 08 Orange 78 Brown 28 Blue 18 Purple 68 Gray* 48 Green* 38 Olive* 88 Red* 58	No Tube 000 30" (STD) 030 36" 036	No Stake 0 With Stake 2

\* Non-Standard Flow

## NETJET - HIGH PERFORMANCE SPRAY JET

Standard In-Stock Items - Available to ship within 2 business days - subject to order quantity

(E)

Item Number	Model Number	Description	Nominal Flow Rate	Quantity per Bundle	Price Each
00015-007000	037121080000	Sprinkler Head Only - Black, 12 Stream, 360° Hi/Low	6.8 GPH		0.80
00015-007750	037121780000	Sprinkler Head Only - Orange, 12 Stream, 360° Hi/Low	7.6 GPH		0.80
00015-007200	037121280000	Sprinkler Head Only - Brown, 12 Stream, 360° Hi/Low	8.7 GPH	-	0.80
00015-007100	037121180000	Sprinkler Head Only - Blue, 12 Stream, 360° Hi/Low	11.1 GPH		0.80
00015-007550	037121680000	Sprinkler Head Only - Purple, 12 Stream, 360° Hi/Low	13.1 GPH		0.80
00015-007052	037121080302	Black Full Assy, 360° Hi/Low, 30" Tube and Stake	6.8 GPH		1.94
00015-007810	037121780302	Orange Full Assy, 360° Hi/Low, 30" Tube and Stake	7.6 GPH		1.94
00015-007249	037121280302	Brown Full Assy, 360° Hi/Low, 30" Tube and Stake	8.7 GPH	25	1.94
00015-007152	037121180302	Blue Full Assy, 360° Hi/Low, 30" Tube and Stake	11.1 GPH		1.94
00015-000009	037121680302	Purple Full Assy, 360° Hi/Low, 30" Tube and Stake	13.1 GPH		1.94

## SPECIAL ORDER NON-STOCK ITEMS

Call for Shipping Timelines.

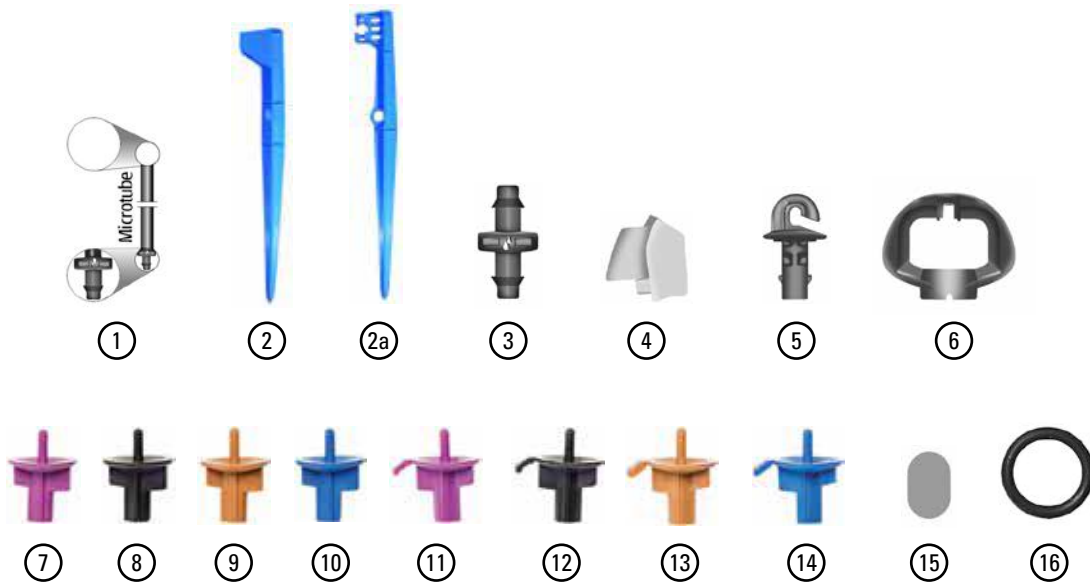
NetJet Options
Butterfly Stream
8 Stream 210° Circle
22 Stream 360° Full Circle
12 Stream 360° Full Circle
10 Stream 300° Tree Notch
Rectangular Stream
No Tubing
36" Tubing Lead
No Stake
Gray Nozzle
Green Nozzle
Olive Nozzle
Red Nozzle

## NETJET MODELS

Model Color	Color Code
Black	08
Orange	78
Brown	28
Blue	18
Purple	68
Gray	48
Green	38
Olive	88
Red	58



# SPRINKLERS



## SUPERNET AND SUPERNET JR. COMPONENTS

(E)

Key	Item Number	Model Number	Description	Price Each
1	63000-006500	03134800758	30" Micro-Tubing with Barbed Connector	0.86
	63000-007200	03134800908	36" Micro-Tubing with Barbed Connector	0.92
	63000-008400	03134801208	48" Micro-Tubing with Barbed Connector	1.40
2	63520-005900	031736	Blue Stake 13" for SuperNet	1.10
2a	63000-009800	03600	Blue Stake 12" for SuperNet Jr.	0.96
3	63520-006020	031748-B	Barb x Barb Connector (Bag of 100)	0.37
4	63520-005800	031735	Stream Splitter	0.42
5	63520-011400	031739	Everspin Bearing (orange color)	0.69
-	63520-005400	031731	Upper Bearing - Square	0.34
6	63520-005500	031732	Bridge	0.52
7	63520-005100	031722	LR - Long Range Swivel Purple*	0.34
8	63520-005000	031721	LR - Long Range Swivel Black*	0.34
9	63520-013500	031717	MR - Medium Range Swivel Brown*	0.34
10	63520-005200	031725	SR - Short Range Swivel Blue*	0.34
11	63520-005160	031724	LRD - Long Range Swivel Purple* with Breakaway Deflector	0.34
12	63520-005150	031723	LRD - Long Range Swivel Black* with Breakaway Deflector	0.34
13	63520-013550	031718	MRD - Medium Range Swivel Brown* with Breakaway Deflector	0.34
14	63520-005300	031726	SRD - Short Range Swivel Blue* with Breakaway Deflector	0.34
-	63520-005380	031730	Swivel Plate - 180° Half Circle, 6 Jets	0.34
-	63520-005360	031727	Swivel Plate - 300°, 10 Jets	0.34
-	63520-005350	031729	Swivel Plate - 360° Circle, 12 Jets	0.34
-	63520-005370	031728	Swivel Plate - Butterfly, 8 Jets	0.34
15	63520-005630	031733	Diaphragm (not available with SuperNet Jr.)	0.82
16	63520-005700	031734	O-Ring (not available with SuperNet Jr.)	0.28
-	40000-004900	031933940705	PE Flex Micro-Tubing (1640' coil)	181.10
-	63520-005990	031749	SuperNet U Shaped Adapter for Hanging Upright System	0.76

\* Swivel colors may vary by model. See Technical sheets for correct specifications.

# SPRINKLERS



## MEGANET COMPONENTS AND ACCESSORIES

Key	Item Number	Model Number	Description	Price Each
1	64520-002305	03N20STAND0948-B	Sprinkler Stand with Connector, 9 mm I.D. tubing, 48", PE barb, 1/2" FIPT, stake adapter (stake not included) (Bag 25)	164.50
-	64520-002280	03N20STAND0948NODP	Sprinkler Stand with Connector, 9 mm I.D. tubing, 48", PE barb, 1/2" FIPT (each)	6.40
-	65080-002880	SSP	Sprinkler Stand Plug	0.59
-	65080-002605	03N265080002610-B	Female x Barb Connector for Sprinkler Stand (100)	56.00
-	63620-004400	MGNFIL	MegaNet Filter	0.52
2	63620-007000	MGNRG	MegaNet Road Guard	1.10
3	45000-001450	PPUNCH8	8 mm Plastic Punch	57.00
-	65080-001220	03175648	6 mm Steel Stake, 48" length	14.00
4	64520-002480	MGNBASE	MegaStand Base for Riser	6.60
5	64520-002485	MGNSUPPORTARM	MegaStand Supporting Arm for Riser	4.60
6	64520-002490	MGNRISER-16	MegaStand Riser 1/2" MPT x 16"	5.30

# SPRINKLERS



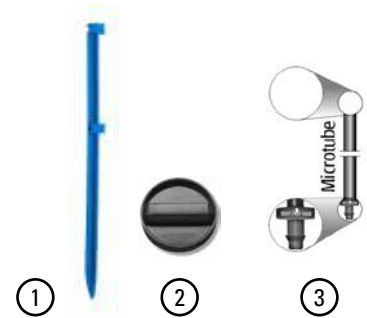
## SUPERNET AND SUPERNET JR. ACCESSORIES

Key	Item Number	Model Number	Description	Price Each
1	45000-001200	682901033	3 mm Plastic Punch	32.00
2	63520-005950	03173600	SuperNet Stand Poly Adapter 6 mm	1.10
	64020-002000	03173700	SuperNet Jr. Stand Poly Adapter 6 mm	0.54
3	65080-001000	03175624	24" (6 mm) Steel Stake*	7.00
	65080-001220	03175648	48" (6 mm) Steel Stake*	14.00
-	63520-011000	03740	Cleaning Tool	14.00

\* Custom product, non-stock. Please call Netafim USA Customer Service for delivery timelines.

## NETJET COMPONENTS

Key	Item Number	Model Number	Description	Price Each
1	63000-009870	037BLUESTK	Blue Stake 11" for NetJet	0.83
2	00015-011250	037129980000	NetJet Stream Deflector	0.66
3	63000-006500	03134800758	30" Micro-Tubing with Barbed Connector	0.86
	63000-007200	03134800908	36" Micro-Tubing with Barbed Connector	0.92







# FILTERS

	Manual Disc Filters .....	82
	Scan-Kleen Screen Filters .....	83
	2" Compact LP Disc-Kleen Filters .....	83
<b>NEW</b>	AlphaDisc Disc Filter .....	84
	Alphapollo Disc Filter .....	85
	Backflush Controllers .....	86
	Sandstorm™ Single Chamber Metal Media .....	87
	Sandstorm™ Double Chamber Media Filter .....	88
	Sandstorm™ Single Chamber Non-Corrosive Media Filter .....	89
<b>NEW</b>	ScreenGuard™ Vertical Automatic Screen Filters .....	90
	ScreenGuard™ Horizontal Automatic Screen Filters .....	90
	ScreenGuard™ Twin Automatic Screen Filters .....	90
<b>NEW</b>	Hydrocyclone Sand Separator .....	91
	Manual Disc Filter Parts	
	3/4" .....	92
	1" and 1 1/2" .....	92
	2" Dual Lite .....	93
	3" Twin Lite .....	94
	3" Twin .....	95
	3" and 4" Angled .....	96
	4" and 6" Twin .....	97
	Automatic Disc-Kleen Filter Part	
	2" Compact LP Disc-Kleen .....	98
	2" Compact Disc-Kleen .....	99
	2" LP Disc-Kleen .....	100
	2" Disc-Kleen .....	101
	3" LP Disc-Kleen .....	102
	3" Disc-Kleen .....	103
	Apollo Disc-Kleen .....	104
	Sandstorm Single Chamber Metal Media Parts.....	106
	Sandstorm Double Chamber Metal Media Parts .....	109
	Sandstorm NC Metal Media Spare Parts .....	110
	Sandstorm Metal Media Parts .....	112
	Screen Filter Parts	
	Scan-Kleen Screen .....	114
	ScreenGuard™ Automatic Screen .....	115
	Backflush Valves .....	116
	Fittings and Accessories .....	117

# FILTERS



## MESH MICRON EQUIVALENT

Mesh	Micron	Color
040	400	Blue
080	200	Yellow
120	130	Red
140	115	Black
200	70	Brown



## MANUAL DISC FILTERS

Key	Model Number	Filter Size	Flow Range (GPM)	Maximum Pressure (psi)	Price Each
1	25A45-***	3/4"	1-12	140	43.00
2	25A47V-***	1"	5-26	140	123.00
3	25A48V-***	1" Super	10-35	140	179.00
4	25A15V-***	1 1/2"	10-52	140	190.00
5	25A17V-***	1 1/2" Super	40-110	140	251.00
6	25A2DL-***	2" Dual Lite	40-120	115	380.00
7	25A30-***	2" Dual HP	80-220	140	621.00
8	25A3TL-***F	3" Twin Lite	80-220	115	725.00
9	25A53-***GNEW	3" Angle GR	80-220	140	1,283.00
9a	25A53-***FNEW	3" Angle FL	80-220	140	1,313.00
10	25A50-***F	3" Twin FL	80-220	140	1,299.00
	25A78-***F	4" Twin FL	160-450	140	2,685.00
	25A80-***F	6" Twin FL	200-600	140	3,233.00

Substitute \*\*\* for proper mesh size. Refer to Mesh Micron Equivalent Chart for mesh options.

# FILTERS



## SCAN-KLEEN SCREEN FILTERS <sup>(N)</sup>

Item Number	Model Number	Size	Max Flow (GPM)	Mesh	Price Each
70640-013200	27ASCAN3-120	3" Angle	250	120	2,378.00
70640-013180	27ASCAN3-150			150	2,378.00
70640-013250	27ASCAN4-120	4" Angle	300	120	2,808.00
70640-013260	27ASCAN4-150			150	2,808.00
70640-013300	27ASCAN4T-120	4" Twin	500	120	5,254.00
70640-013321	27ASCAN4T-150			150	5,254.00
70640-013350	27ASCAN6T-120	6" Twin	600	120	5,529.00
70640-013370	27ASCAN6T-150			150	5,529.00



## 2" COMPACT LP DISC-KLEEN FILTER <sup>(N)</sup>

Includes Built-in Battery Operated Backflush Controller. Maximum Operating Pressure 90 psi  
Standard with Plastic Backflush Valves.

Item Number	Model Number	Input Power	Flow Range (GPM)	Manifold In/Out	Maximum Pressure	Price Each
70641-007225	26LP2A1-120AACN	110 VAC	1-80	2" TH	90 psi	7,529.00
70641-007240	26LP2A1-140AACN					7,529.00
70641-007228	26LP2A1-120AQDCN	D Batteries	1-80	2" TH	90 psi	7,273.00
70641-007230	26LP2A1-140AQDCN					7,273.00
70641-007222	26LP2A1LF-120AACN	110 VAC	1-40	2" TH	90 psi	7,529.00
70641-007237	26LP2A1LF-140AACN					7,529.00
70641-007234	26LP2A1LF120AQDCN	D Batteries	1-40	2" TH	90 psi	7,273.00
-	26LP2A1LF140AQDCN					7,273.00

Minimum pressure for backflush is 30 psi upstream.  
DC requires (4) D batteries.

# FILTERS

**New**



(N)

## ALPHADISC DISC FILTERS

MODEL NUMBER	SPINES	FLOW RANGE* GPM	MANIFOLD IN/OUT	DRAIN MANIFOLD	SOLENOID	PRESSURE RATING PSI	PRICE EACH
ADI3S-080							
ADI3S-120	2	44-220	3" Flg	3" GRV	12VDCL	145	9,880.00
ADI3S-140							
ADI3SXL-080							
ADI3SXL-120	2 XL	57-352	3" Flg	3" Grv	12VDCL	145	15,340.00
ADI3SXL-140							
ADI4SXL-080							
ADI4SXL-120	2 XL	57-480	4" Flg	3" GRV	12VDCL	145	18,200.00
ADI4SXL-140							
ADI6DXL-080							
ADI6DXL-120	4 XL	57-960	6" Flg	3" GRV	12VDCL	145	28,600.00
ADI6DXL-140							
ADI8TXL-080							
ADI8TXL-120	6 XL	57-1440	8" Flg	3" GRV	12VDCL	145	39,260.00
ADI8TXL-140							

\* NOTE: Maximum recommended flow rate will depend on water quality. Check technical brochure for specific flow rate recommendations

# FILTERS



(N)

## ALPHAPOLLO DISC FILTERS - MODULAR

MODEL NUMBER	SPINES	FLOW RANGE* GPM	MANIFOLD IN/OUT	DRAIN MANIFOLD	SOLENOID	PRESSURE RATING PSI	PRICE EACH
ADA3M10080CLD6							
ADA3M10120CLD6	6 XL	576-1440	10" Flg	3" GRV	12VDCL	145	42,400.00
ADA3M10140CLD6							
ADA4M10080CLD8							
ADA4M10120CLD8	8 XL	768-1920	10" Flg	3" Grv	12VDCL	145	52,706.00
ADA4M10140CLD8							
ADA5M10080CLD6							
ADA5M10120CLD6	10 XL	960-2400	10" Flg	3" GRV	12VDCL	145	64,721.00
ADA5M10140CLD6							
ADA6M10080CLD6							
ADA6M10120CLD6	12 XL	1152-2880	10" Flg	3" GRV	12VDCL	145	73,167.00
ADA6M10140CLD6							
ADA7M10080CLD8							
ADA7M10120CLD8	14 XL	1344-3360	10" Flg	3" GRV	12VDCL	145	83,935.00
ADA7M10140CLD8							
ADA8M10080CLD8							
ADA8M10120CLD8	16 XL	768-1920	10" Flg	3" GRV	12VDCL	145	100,470.00
ADA8M10140CLD8							
ADA8M12080CLD8							
ADA8M12120CLD8	16 XL	960-2400	12" Flg	3" GRV	12VDCL	145	110,208.00
ADA8M12140CLD8							
ADA9M12080CLD10							
ADA9M12120CLD10	18 XL	1152-2880	12" Flg	3" GRV	12VDCL	145	118,159.00
ADA9M12140CLD10							
ADA10M12080CLD10							
ADA10M12120CLD10	20 XL	1344-3360	12" Flg	3" GRV	12VDCL	145	137,249.00
ADA10M12140CLD10							

## ALPHAPOLLO FILTER (MODULAR) KITS

(N)

ITEM NUMBER	MODEL NUMBER	DESCRIPTION	USE WHEN	PRICE EACH
00110-001540	25APMODKITFLNG	Flange-Bolt Kit includes 24 bolts, 48 washers, 24 nuts, 2 flanges	Sealing water inlet and outlet manifolds (included with all batteris, 3-8 units)	2,568.00
00110-001550	25APMODKIT5 - 8	Adapter Kit includes 24 bolts, 48 washers, 24 nuts, 1 connector, 1 drain manifold	Connecting multiple filter units (included with 5-8 units)	1,469.00

## ALPHAPOLLO UPGRADE KITS DISC FILTERS - SOLID MANIFOLDS AND MODULAR MANIFOLDS

(N)

ITEM NUMBER	FILTRATION PODS	3" DRAIN MANIFOLD				PRICE EACH
		4 OUTLETS	3 OUTLETS	2 OUTLETS	3-1 OUTLETS	
ADA3PODKIT-MOD	3 UNITS		2			29,680.00
ADA4PODKIT-MOD	4 UNITS	2				36,895.00
ADA5PODKIT-SOLID	5 UNITS		2	2		45,305.00
ADA6-1PODKIT-MOD	5 UNITS		2		2	45,305.00
ADA6PODKIT-ALL	6 UNITS		4			51,217.00
ADA7PODKIT-ALL	7 UNITS	2	2			58,754.00
ADA8PODKIT-ALL	8 UNITS	4				70,329.00

# FILTERS

## NETAFIM BACKFLUSH CONTROLLERS

(N)

Item Number	Model Number	Description	Voltage	Price Each
00105-006200	31NBCAC2	2 Outputs with DP Sensor with mounting bracket	24VAC	1,660.00
00105-006210	31NBCAC4	4 Outputs with DP Sensor with mounting bracket		1,790.00
00105-006220	31NBCAC6	6 Outputs with DP Sensor with mounting bracket		1,919.00
00105-006230	31NBCAC8	8 Outputs with DP Sensor with mounting bracket		2,053.00
00105-006240	31NBCAC10	10 Outputs with DP Sensor with mounting bracket		2,182.00
73240-003188	31NBCAC2-NB	2 Outputs with DP Sensor without mounting bracket	24VAC	1,518.00
73240-003184	31NBCAC4-NB	4 Outputs with DP Sensor without mounting bracket		1,647.00
73240-003186	31NBCAC6-NB	6 Outputs with DP Sensor without mounting bracket		1,777.00
73240-003187	31NBCAC8-NB	8 Outputs with DP Sensor without mounting bracket		1,908.00
73240-003189	31NBCAC10-NB	10 Outputs with DP Sensor without mounting bracket		2,037.00
00105-006250	31NBCDCL2	2 Outputs with DP Sensor with mounting bracket	12VDCL	1,660.00
00105-006260	31NBCDCL4	4 Outputs with DP Sensor with mounting bracket		1,790.00
00105-006270	31NBCDCL6	6 Outputs with DP Sensor with mounting bracket		1,919.00
00105-006280	31NBCDCL8	8 Outputs with DP Sensor with mounting bracket		2,053.00
00105-006290	31NBCDCL10	10 Outputs with DP Sensor with mounting bracket		2,182.00
73240-003175	31NBCDCL2-NB	2 Outputs with DP Sensor without mounting bracket	12VDCL	1,518.00
73240-003178	31NBCDCL4-NB	4 Outputs with DP Sensor without mounting bracket		1,647.00
73240-003179	31NBCDCL6-NB	6 Outputs with DP Sensor without mounting bracket		1,777.00
73240-003181	31NBCDCL8-NB	8 Outputs with DP Sensor without mounting bracket		1,908.00
73240-003182	31NBCDCL10-NB	10 Outputs with DP Sensor without mounting bracket		2,037.00
73240-003195	31NBCACCARD	2 Output Expansion Card	24VAC	143.00
73240-003177	31NBCDCCARD	2 Output Expansion Card	12VDCL	143.00



**NOTE:** Controllers can be pre-installed on automatic disc filters for an additional fee. Call Netafim USA Customer Service for Pricing and Availability.

## NETAFIM BACKFLUSH CONTROLLER PARTS

(N)

Item Number	Model Number	Description	Price Each
73240-007360	31NBCBATTHLDR	Battery Holder	28.00
73240-007556	31NBCDCSCARD	DC Latching Set-up Card	119.00
73240-007557	31NBCCPU	AC/DC CPU Set-up Card	410.00
73240-007558	31NBCPWR110	Power Supply 110VAC	243.00
73240-010205	31NBCPSENS	DP Sensor	281.00
70661-018000	25APCNTRLBACKPLATE	Controller Mounting Bracket	174.00

## ALEX-TRONIX BACKFLUSH CONTROLLERS

(N)

Item Number	Model Number	Outputs	Included	Voltage	Price Each
00105-001400	23AXF2ACDC-D	2	PD Gauge, Transformer	24VAC/12VDC	2,300.00
00105-001700	23AXF3ACDC-D	3	PD Gauge, Transformer	24VAC/12VDC/12VDCL	2,720.00
00105-002300	23AXF4ACDC-D	4	PD Gauge, Transformer	24VAC/12VDC/12VDCL	3,135.00
00105-004950	23AXF8ACDC-D	8	PD Gauge, Transformer	24VAC/12VDC/12VDCL	3,544.00
00105-003750	23AXF12ACDCDCLD	12	PD Gauge, Transformer	24VAC/12VDC/12VDCL	4,478.00
00105-004450	23AXF3DCLSP	3	Controller, Solar Panel and Bracket	12VDCL	4,310.00
00105-002600	23AXF4DCLSP	4	Controller, Solar Panel and Bracket		4,720.00
00105-005220	23AXF8DCLSP	8	Controller, Solar Panel and Bracket		5,150.00
00105-003760	23AXF12DCLSP	12	Controller, Solar Panel and Bracket		5,957.00

**NOTE:** Controllers can be pre-installed on automatic disc filters for an additional fee. Call Netafim USA Customer Service for Pricing and Availability.

# FILTERS



## SANDSTORM™ BACKFLUSH FLOW (GPM)

Tank	Size	Flow
Double Chamber	16"	26
	20"	68
	24"	95
Single Chamber	30"	130
	36"	200
	48"	350

## SANDSTORM™ SINGLE CHAMBER METAL MEDIA FILTER TANKS - Blue Color <sup>(N)</sup>

Item Number	Model Number	Tank Size	Sand Required	In/Out	Price Each
71910-001620	2SMFS30GR-V2	30"	683 lbs.	3" Grooved	2,576.00
71910-001622	2SMFS36G-V2	36"	1,047lbs.	3" Grooved	3,369.00
71910-001626	2SMFS48GR-V2	48"	1,984 lbs.	4" Grooved	5,176.00

## SANDSTORM™ SINGLE CHAMBER METAL MEDIA FILTER BATTERIES - Blue Color <sup>(N)</sup>

Item Number	Model Number	No. of Filters-Size	*Flow Range (GPM)	Configuration	Price Each
71950-001620	2SMFSBS3002AAC	2 - 30"	176 - 308	Straight	11,061.00
71950-001820	2SMFSBS3602AAC	2 - 36"	264 - 440	Straight	12,319.00
71950-002001	2SMFSBS4802AAC	2 - 48"	440 - 748	Straight	19,654.00
71950-001630	2SMFSBS3003AAC	3 - 30"	264 - 462	Straight	15,892.00
71950-001830	2SMFSBS3603AAC	3 - 36"	396 - 660	Straight	17,204.00
71950-002100	2SMFSBS4803AAC	3 - 48"	660 - 1122	Straight	27,945.00
71950-001640	2SMFSBS3004AAC	4 - 30"	352 - 616	Straight	19,277.00
71950-001840	2SMFSBS3604AAC	4 - 36"	528 - 880	Straight	21,542.00
71950-002200	2SMFSBS4804AAC	4 - 48"	880 - 1496	Straight	34,287.00
71950-002210	2SMFSBT4804AAC	4 - 48"		Tee	35,787.00
71950-002315	2SMFSBS4805AAC	5 - 48"	1100 - 1870	Straight	41,988.00
71950-002310	2SMFSBT4805AAC	5 - 48"		Tee	43,488.00
71950-002400	2SMFSBT4806AAC	6 - 48"	1230 - 2244	Tee	51,450.00
71950-002410	2SMFSBH4806AAC	6 - 48"		H	56,450.00
71950-002503	2SMFSBT4807AAC	7 - 48"	1320 - 2244	Tee	59,556.00
71950-002504	2SMFSBH4807AAC	7 - 48"		H	64,556.00
71950-002601	2SMFSBT4808AAC	8 - 48"	1540 - 2618	Tee	65,614.00
71950-002611	2SMFSBH4808AAC	8 - 48"		H	70,614.00
71950-002805	2SMFSBT4810AAC	10 - 48"	1760 - 2992	Tee	80,230.00
71950-002800	2SMFSBH4810AAC	10 - 48"		H	85,230.00

\*Flow rates based on crushed basalt.

# FILTERS



## SANDSTORM™ BACKFLUSH FLOW (GPM)

Tank	Size	Flow
Double Chamber	16"	26
	20"	68
	24"	95
Single Chamber	30"	130
	36"	200
	48"	350

## SANDSTORM DOUBLE CHAMBER STEEL MEDIA FILTER TANKS - Blue Color <sup>(N)</sup>

Item Number	Model Number	Tank Size	Sand Required	In/Out	Price Each
71910-001505	2SMFD16NPT	16"	200 lbs.		1,372.00
71910-001508	2SMFD20NPT	20"	260 lbs.	2" TH x GR	1,394.00
71910-001514	2SMFD24NPT	24"	400 lbs.		1,963.00

## SANDSTORM DOUBLE CHAMBER STEEL MEDIA FILTER BATTERIES - Blue Color <sup>(N)</sup>

Item Number	Model Number	No. of Filters-Size	Flow Range (GPM)	Price Each
71950-001020	2SMFDBS1602AAC	2 - 16"	22 - 52	7,827.00
71950-001030	2SMFDBS1603AAC	3 - 16"	33 - 78	10,698.00
71950-001040	2SMFDBS1604AAC	4 - 16"	44 - 104	13,392.00
71950-001220	2SMFDBS2002AAC	2 - 20"	78 - 132	8,213.00
71950-001230	2SMFDBS2003AAC	3 - 20"	117 - 198	11,023.00
71950-001240	2SMFDBS2004AAC	4 - 20"	156 - 264	13,997.00
71950-001420	2SMFDBS2402AAC	2 - 24"	114 - 192	8,988.00
71950-001430	2SMFDBS2403AAC	3 - 24"	171 - 288	11,798.00
71950-001440	2SMFDBS2404AAC	4 - 24"	228 - 384	14,772.00
71950-001820	2SMFSBS3602AAC	2-36"		12,319.00
71950-001830	2SMFSBS3603AAC	3-36"		17,204.00
71950-001840	2SMFSBS3604AAC	4-36"		21,542.00



# FILTERS



## SANDSTORM SINGLE CHAMBER NON CORROSIVE MEDIA FILTER TANKS- Blue Color

(N)

Item Number	Model Number	No. of Filters- Size	Flow Range (GPM)	Configuration	Price Each
-	2NCFS3602AAC	2 - 36"	240 - 400	Straight	Call for Quote
-	2NCFS4802AAC	2 - 48"	420 - 700	Straight	
-	2NCFS3603AAC	3 - 36"	360 - 600	Straight	Call for Quote
-	2NCFS4803AAC	3 - 48"	630 - 1050	Straight	
-	2NCFS3604AAC	4 - 36"	480 - 800	Straight	Call for Quote
-	2NCFS4804AAC	4 - 48"	840 - 1400	Straight	
-	2NCFS4805AAC	5 - 48"	1050 - 1750	Straight	Call for Quote
-	2NCFT4805AAC	5 - 48"	1050 - 1750	Tee	
-	2NCFT4806AAC	6 - 48"	1260 - 2100	Tee	Call for Quote
-	2NCFH4806AAC	6 - 48"	1260 - 2100	H	
-	2NCFT4807AAC	7 - 48"	1470 - 2450	Tee	Call for Quote
-	2NCFH4807AAC	7 - 48"	1470 - 2450	H	
-	2NCFT4808AAC	8 - 48"	1680 - 2800	Tee	Call for Quote
-	2NCFH4808AAC	8 - 48"	1680 - 2800	H	
-	2NCFT4810AAC	10 - 48"	2100 - 3500	Tee	Call for Quote
-	2NCFH4810AAC	10 - 48"	2100 - 3500	H	

# FILTERS

## SCRENGUARD™ VERTICAL AUTOMATIC SCREEN FILTERS

Item Number	Model Number	Size	Max Flow (GPM)	Mesh	Price Each
71960-000103	2SGAV2T-120ADCL	2" Thrd	110	120	4,545.00
71960-000123	2SGAV3T-120ADCL	3" Thrd	220	120	4,802.00
71960-000173	2SGAV3ST-120ADCL	3" S Thrd	220	120	5,138.00
71960-000176	2SGAV3SFL-120ADCL	3" S Flg	220	120	5,269.00
71960-000223	2SGAV4FL-120ADCL	4" Flg	330	120	5,345.00
71960-000602	2SGAV4SFL-120ADCL	4" S Flg	330	120	6,407.00
71960-000611	2SGAV6FL-120ADCL	6" Flg	330	120	6,710.00

New



## SCRENGUARD™ HORIZONTAL AUTOMATIC SCREEN FILTERS

Item Number	Model Number	Size	Max Flow (GPM)	Mesh	Price Each
71960-000254	2SGAH04-080	4"	352	80	9,738.00
71960-000253	2SGAH04-120			120	9,738.00
71960-000252	2SGAH04-150			150	9,738.00
71960-000277	2SGAHS04-080	4" Super	440	80	11,722.00
71960-000276	2SGAHS04-120			120	11,722.00
71960-000275	2SGAHS04-150			150	11,722.00
71960-000307	2SGAH06-080	6"	528	80	10,000.00
71960-000306	2SGAH06-120			120	10,000.00
71960-000305	2SGAH06-150			150	10,000.00
71960-000327	2SGAHS06-080	6" Super	660	80	11,961.00
71960-000326	2SGAHS06-120			120	11,961.00
71960-000325	2SGAHS06-150			150	11,961.00
71960-000381	2SGAHS08-080	8"	1101	80	12,306.00
71960-000380	2SGAHS08-120			120	12,306.00
71960-000379	2SGAHS08-150			150	12,306.00
71960-000452	2SGAHS10-080	10"	1321	80	13,299.00
71960-000451	2SGAHS10-120			120	13,299.00
71960-000450	2SGAHS10-150			150	13,299.00

## SCRENGUARD™ TWIN AUTOMATIC SCREEN FILTERS

Item Number	Model Number	Size	Max Flow (GPM)	Mesh	Price Each
71961-000150	2SGAHTWIN008-080	8"	2202	80	33,172.00
71961-000181	2SGAHTWIN008-120			120	33,172.00
71961-000160	2SGAHTWIN008-150			150	33,172.00
71961-000170	2SGAHTWIN010-080	10"	2642	80	33,604.00
71961-000100	2SGAHTWIN010-120			120	33,604.00
71961-000180	2SGAHTWIN010-150			150	33,604.00

# FILTERS

## HYDROCYCLONE™ SAND SEPARATOR

Item Number	Model Number	Min Flow (GPM)	Max Flow (GPM)	Connection Type		Sedimentation Tank		Size (Gal)	Price Each
				Inlet (In)	Outlet (In)	Inlet (In)	Outlet (In)		
71990-000300	NHC8-2GR-WT3	55	88	2" GR	2" GR	3" GR	2"	3.2	1,400.00
71990-000310	NHC8-3GR-WT3	86	132	3" GR	3" GR	3" GR	2"	3.2	1,484.00
71990-000424	NHC8-3GR-WT8	86	132	3" GR	3" GR	3" GR	2"	7.9	1,792.00
71990-000311	NHC8S-3GR-WT3	119	185	3" GR	3" GR	3" GR	2"	3.2	1,484.00
71990-000420	NHC8S-3GR-WT8	119	185	3" GR	3" GR	3" GR	2"	7.9	1,792.00
71990-000320	NHC12-4GR-WT16	154	269	4" GR	4" GR	4" FL	2"	15.9	3,164.00
71990-000321	NHC16-4GR-WT16	260	418	4" GR	4" GR	4" FL	2"	15.9	3,724.00
71990-000322	NHC16-4GR-WT32	260	418	4" GR	4" GR	4" FL	2"	31.7	4,452.00
71990-000201	NHC20-6FL-WT32	387	647	6" FL	6" FL	8" FL	2"	31.7	5,292.00
71990-000221	NHC24-6FL-WT32	555	903	6" FL	6" FL	8" FL	2"	31.7	5,740.00
71990-000291	NHC24-6FL-WT63	555	903	6" FL	6" FL	8" FL	2"	63.4	6,426.00
71990-000241	NHC30-8FL-WT63	903	1761	8" FL	8" FL	8" FL	2"	63.4	8,288.00

New



## HYDROCYCLONE™ SAND SEPARATOR (CONE UNITS ONLY)

Item Number	Model Number	Min Flow (GPM)	Max Flow (GPM)	Connection Type		Sedimentation Tank Options	Price Each
				Inlet (In)	Outlet (In)		
71990-000108	NHC8-2GR	55	88	2" GR	2" GR	Use with 3gal tank	840.00
71990-000128	NHC8-3GR	86	132	3" GR	3" GR	Use with 3gal / 8gal tank	952.00
71990-000148	NHC8S-3GR	119	185	3" GR	3" GR	Use with 3gal / 8gal tank	952.00
71990-000166	NHC12-4GR	154	269	4" GR	4" GR	Use with 16gal tank	2,240.00
71990-000194	NHC16-4GR	260	418	4" GR	4" GR	Use with 16gal / 32gal tank	3,024.00
71990-000205	NHC20-6FL	387	647	6" FL	6" FL	Use with 32gal tank	3,892.00
71990-000225	NHC24-6FL	555	903	6" FL	6" FL	Use with 32gal / 63gal tank	4,508.00
71990-000246	NHC30-8FL	903	1761	8" FL	8" FL	Use with 63gal tank	6,608.00

## HYDROCYCLONE™ SAND SEPARATOR (SEDIMENTATION TANK ONLY ONLY)

Item Number	Model Number	Cone Options	Sedimentation Tank		Size (Gal)	Price Each
			Inlet (In)	Outlet (In)		
71990-000350	NHC3TANK-3GR	Use with NHC8 and NHC8S Cones	3" GR	2"	3.2	616.00
71990-000351	NHC8TANK-3GR	Use with NHC8 and NHC8S Cones	3" GR	2"	7.9	1,008.00
71990-000360	NHC16TANK-4FL	Use with NHC12 and NHC16 Cones	4" FL	2"	15.9	1,232.00
71990-000361	NHC32TANK-4FL	Use with NHC16 Cones	4" FL	2"	31.7	1,792.00
71990-000370	NHC32TANK-8FL	Use with NHC20 and NHC24 Cones	8" FL	2"	31.7	2,016.00
71990-000371	NHC63TANK-8FL	Use with NHC30 Cones	8" FL	2"	63.4	2,464.00

## HYDROCYCLONE™ SAND SEPARATOR SPARE PARTS

Item Number	Model Number	Description	Sedimentation Tank	Price Each
71915-000104	2SMTIGHTBRIDGEV2	Tightening Bridge SMF 12-24" and Sediment Tank	Used with all Tank Sizes	134.00
71915-000105	2SMTIGHTHANDLEV2	Tightening Handle SMF 12-24" and Sediment Tank	Used with all Tank Sizes	15.28
71915-000230	2SMTOPSERV GASKETV2	Top Service Cover Gasket 8" SMF 36" and Sediment Tank	Used with all Tank Sizes	43.25
71915-000231	2SMTOPSERV COVERV2	Top Service Cover 8" SMF 24" and Sediment Tank	Used with all Tank Sizes	158.00
71990-000275	NHCF3	Sediment Tank 3" Funnel F/ 3 and 8 gal	Use with 3GR Tanks	30.24
71990-000276	NHCF4	Sediment Tank 4" Funnel F/ 16 and 32 gal	Use with 4FL Tanks	51.52
71990-000277	NHCF8	Sediment Tank 8" Funnel F/ 32 and 63 gal	Use with 8FL Tanks	205.00

## HYDROCYCLONE™ AUTOFLUSH KIT

Item Number	Model Number	Description	Hydrocyclone Options	Price Each
72002-003021	NHCPGK	3-Way Pressure Gauge Kit for Hydrocyclones	Used with all Hydrocyclones	400.00
72002-003019	NHCAFKIT2-1BDCL	AutoFlush Kit for 1 Tank 2" Drain Baccara 12VDCL	Used with all Hydrocyclones	1,588.00
72002-003150	NHCAFKIT2-2NADCL	AutoFlush Kit for 2 Tank 2" Drain Netafim AQDCL	Used with all Hydrocyclones	1,998.00
72002-003160	NHCAFKIT2-3NADCL	AutoFlush Kit for 3 Tank 2" Drain Netafim AQDCL	Used with all Hydrocyclones	2,412.00

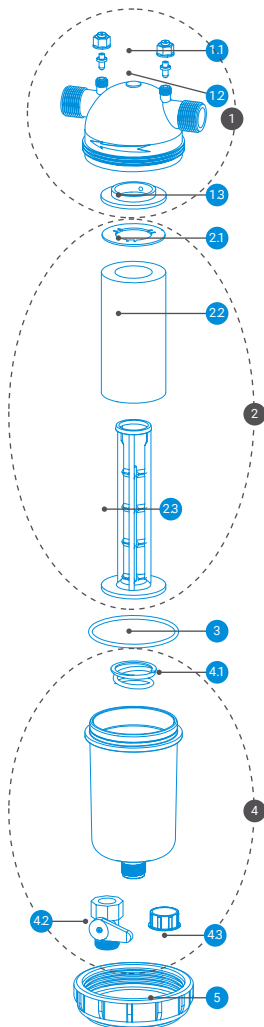
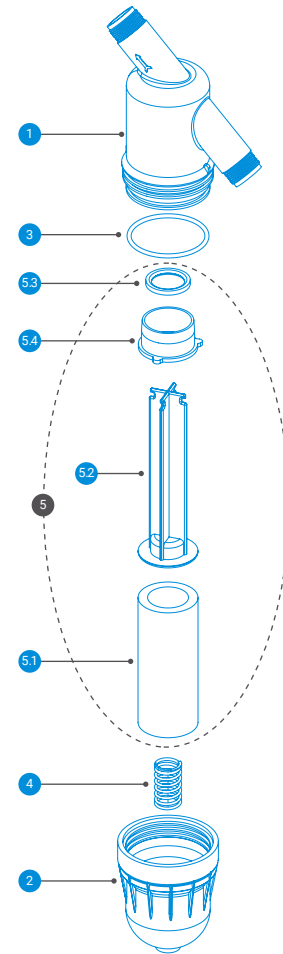
# FILTERS

# EXPLODED PARTS VIEW

## 3/4" MANUAL DISC FILTER PARTS

(N)

KEY	ITEM NUMBER	MODEL NUMBER	DESCRIPTION	PRICE EACH
1	70620-002700	25AP230112	3/4" Filter Body	\$37.00
2	70620-001700	25AP23013	3/4" Filter Cover	\$24.00
3	70620-003700	25AP530140	3/4" Filter - Cover O-ring	\$6.10
4	70620-004720	25AP530130	3/4" Filter - Tightening Spring	\$6.10
5	70620-002440	25AP46-140	3/4" Filter - Comp Element 140mesh	\$30.00
	70620-002420	25AP46-120	3/4" Filter - Comp Element 120mesh	\$30.00
	70620-002400	25AP46-080	3/4" Filter - Comp Element 80mesh	\$30.00
	70620-002380	25AP46-040	3/4" Filter - Comp Element 40mesh	\$30.00
5.1		3/4" Filter - Disc Set 120 Mesh		
5.2		3/4" Filter - Spine W/o Discs		
5.3		3/4" Filter - Spine Lock Ring		
5.4		3/4" Filter - Spine Tightening Ring		



## 1" AND 1 1/2" MANUAL SHORT DISC FILTER PARTS

(N)

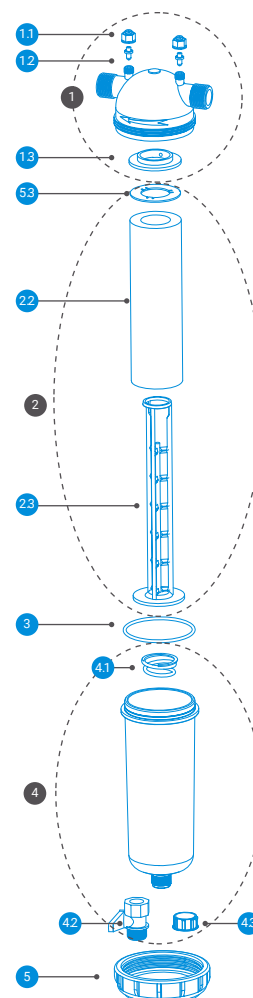
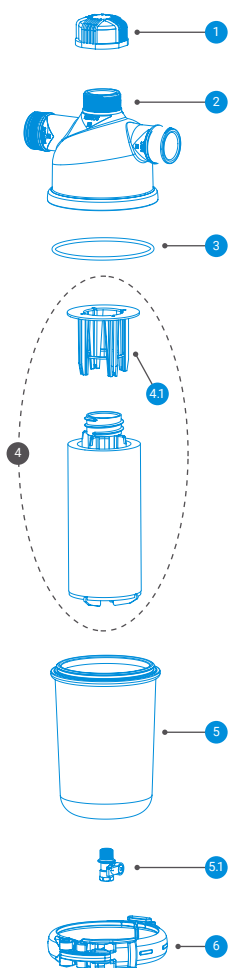
KEY	ITEM NUMBER	MODEL NUMBER	DESCRIPTION	PRICE EACH
1A	70641-004000	25AP25000101	1" Filter Body	\$72.00
1B	70641-004200	25AP231511	1 1/2" Filter Body	\$86.00
1.1				\$5.80
1.2	74480-015800	25AP700190001305	Pressure Check Point Assembly Kit	
1.3	-	-	1" & 1 1/2" Filter - Adaptor Ring	
2	70620-002550	25AP47-200	1" & 1 1/2" Short Filter - Comp Element 200 Mesh	\$64.00
	70620-002540	25AP47-140	1" & 1 1/2" Short Filter - Comp Element 140 Mesh	\$64.00
	70620-002530	25AP47-120	1" & 1 1/2" Short Filter - Comp Element 120 Mesh	\$64.00
	70620-002520	25AP47-080	1" & 1 1/2" Short Filter - Comp Element 80 Mesh	\$64.00
	70620-002500	25AP47-040	1" & 1 1/2" Short Filter - Comp Element 40 Mesh	\$64.00
2.1	-	-	1" & 1 1/2" Filter Retaining Ring	
2.2	-	-	1" & 1 1/2" Short Filter - Disc Set Only	
2.3	-	-	1" & 1 1/2" Short Filter - Spine W/o Discs	
3	70620-003800	25AP531140	1" & 1 1/2" Filter - Cover O-ring	\$8.40
4	70620-001810	25MDFSP-CVR115S	1" & 1 1/2" Short Filter Cover W/cap And Valve	N/A
4.1	-	-	1" & 1 1/2" Filter - Tightening Spring	
4.2	-	-	Ball Valve 3/4"	
4.3	-	-	Cap 3/4" Complete Assy	
5	70620-004350	25AP231131	1" - 1.5" Nut Rpa Black	\$47.00

# FILTERS

## 1" AND 1 1/2" MANUAL LONG DISC FILTER PARTS

(N)

KEY	ITEM NUMBER	MODEL NUMBER	DESCRIPTION	PRICE EACH
1A	70641-004000	25AP25000101	1" Filter Body	\$72.00
1B	70641-004200	25AP231511	1½" Filter Body	\$86.00
1.1	74480-015800	25AP700190001305	Pressure Check Point Assembly Kit	\$5.80
1.2	-	-	-	-
1.3	-	-	1" & 1½" Filter - Adaptor Ring	-
	70620-002645	25AP21121-200	1" & 1½" Super Filter - Comp Element 200 Mesh	\$91.00
	70620-002640	25AP21121-140	1" & 1½" Super Filter - Comp Element 140 Mesh	\$91.00
2	70620-002620	25AP21121-120	1" & 1½" Super Filter - Comp Element 120 Mesh	\$91.00
	70620-002610	25AP21121-080	1" & 1½" Super Filter - Comp Element 80 Mesh	\$91.00
	70620-002600	25AP21121-040	1" & 1½" Super Filter - Comp Element 40 Mesh	\$91.00
2.1	-	-	1" & 1½" Filter Retaining Ring	-
2.2	-	-	1" & 1½" Super Filter - Disc Set Only	-
2.3	-	-	1" & 1½" Super Filter - Spine W/o Discs	-
3	70620-003800	25AP531140	1" & 1½" Filter - Cover O-ring	\$8.40
4	70620-001711	25MDFSP-CVR115L	1" Super Filter Cover W/cap And Valve	N/A
4.1	-	-	1" & 1½" Filter - Tightening Spring	-
4.2	-	-	Ball Valve ¾"	-
4.3	-	-	Cap ¾" Complete Assy	-
5	70620-004350	25AP231131	1" - 1.5" Nut Rpa Black	\$47.00



## 2" DUAL LITE MANUAL DISC FILTER PARTS

(N)

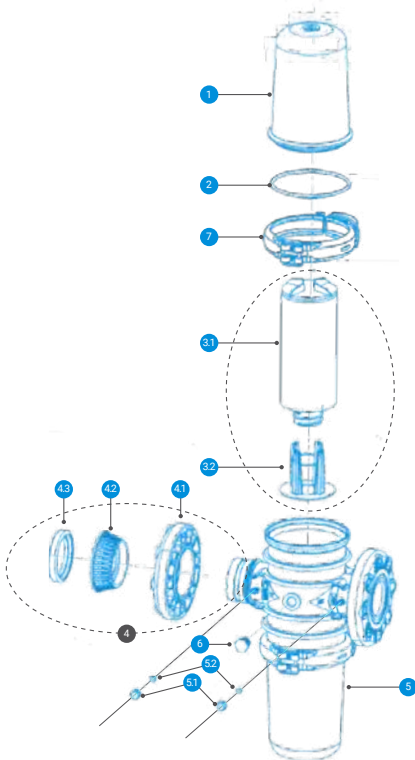
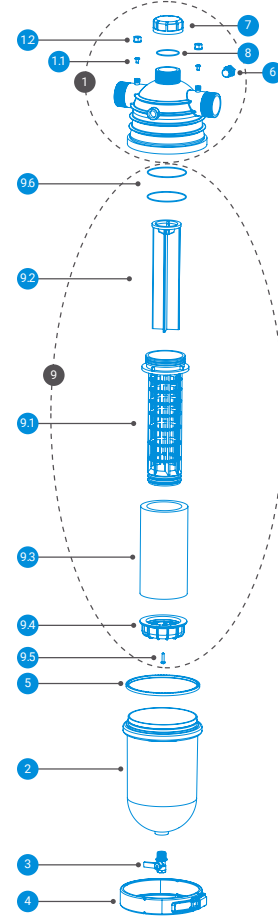
KEY	ITEM NUMBER	MODEL NUMBER	DESCRIPTION	PRICE EACH
1	74480-005753	25MDFSP-CAP2	2" Cap + O-ring	N/A
2	70620-002925	25AP22120002	2" Dual Lite Filter Body	\$103.00
3	70620-004195	25AP50032361	2" Dual Lite Filter - Cover O-ring	\$8.50
	70620-014040	25AP21261-200	2" Dual Lite Filter - Comp Element 200 Mesh	\$234.00
	70620-014030	25AP21261-140	2" Dual Lite Filter - Comp Element 140 Mesh	\$234.00
4	70620-014020	25AP21261-120	2" Dual Lite Filter - Comp Element 120 Mesh	\$234.00
	70620-014010	25AP21261-080	2" Dual Lite Filter - Comp Element 80 Mesh	\$234.00
	70620-014000	25AP21261-040	2" Dual Lite Filter - Comp Element 40 Mesh	\$234.00
4.1	-	-	2" & 3" Dual Lite Filter - Spine Extension	-
5	70620-002130	25MDFSP-CVR23LITE	2" & 3" Dual Lite Filter Cover W/tap	N/A
5.1	70620-003865	25AP50540212	½"X¾" Ball Valve Mbsp/fbsp	\$47.00
6	70620-004710	25AP22530235	2" & 3" Dual Lite Filter - Cover Clamp	\$78.00

# FILTERS

## 2" DUAL MANUAL DISC FILTER PARTS

(N)

KEY	ITEM NUMBER	MODEL NUMBER	DESCRIPTION	PRICE EACH
1	70641-004500	25AP25000205	2" Dual Threaded Filter Body Assembly	\$252.00
1.1	74480-015800	25AP700190001305	Pressure Check Point Assembly Kit	\$5.80
1.2				
2	70620-002100	25AP22020023	2" & 3" Filter Cover	\$171.00
3	70620-003865	25AP50540212	½"X¼" Ball Valve Mbsp/fbsp	\$47.00
4	70620-004700	25AP533131	2" & 3" Filter - Sst304 Cover Clamp	\$113.00
5	70620-003900	25AP532140	2" & 3" Filter Hydraulic Cover Seal	\$35.00
6	76200-007650	25AP50190112	Cap ½" With Seal	\$5.20
7	70620-005900	25AP332115	2" Filter - Cap For Sk	\$32.00
8	-	-	2" Cap O-ring	
	70620-002691	25AP49-200SDS	2" & 3" Filter - Comp Element 200 Mesh (D.s)	\$273.00
	70620-002690	25AP49-140SDS	2" & 3" Filter - Comp Element 140 Mesh (D.s)	\$273.00
9	70620-002680	25AP49-120SDS	2" & 3" Filter - Comp Element 120 Mesh (D.s)	\$273.00
	70620-002670	25AP49-080SDS	2" & 3" Filter - Comp Element 80 Mesh (D.s)	\$273.00
	70620-002650	25AP49-040SDS	2" & 3" Filter - Comp Element 40 Mesh (D.s)	\$273.00
9.1	-	-	2" & 3" Filter - Spine W/o Discs	
9.2	-	-	2" & 3" Dual Filter - Spine Extension Short	
	70620-001440	25AP49-200S	2" & 3" Filter - Disc Set 200 Mesh	\$221.00
	70620-001430	25AP49-140S	2" & 3" Filter - Disc Set 140 Mesh	\$221.00
9.3	70620-001420	25AP49-120S	2" & 3" Filter - Disc Set 120 Mesh	\$221.00
	70620-001410	25AP49-080S	2" & 3" Filter - Disc Set 80 Mesh	\$221.00
	70620-001400	25AP49-040S	2" & 3" Filter - Disc Set 40 Mesh	\$221.00
9.4	-	-	2" & 3" Filter - Spine Cover Cap	
9.5	-	-	2" & 3" Filter - Screw For Spine Cover Cap	
9.6	-	-	2" & 3" Filter - Spine O-ring	
	70620-002648	25AP21990020	2" & 3" Filter - Comp Spine W/o Discs (All 9 Minus 9.3)	\$99.00



## 3" TWIN LITE MANUAL DISC FILTER PARTS

(N)

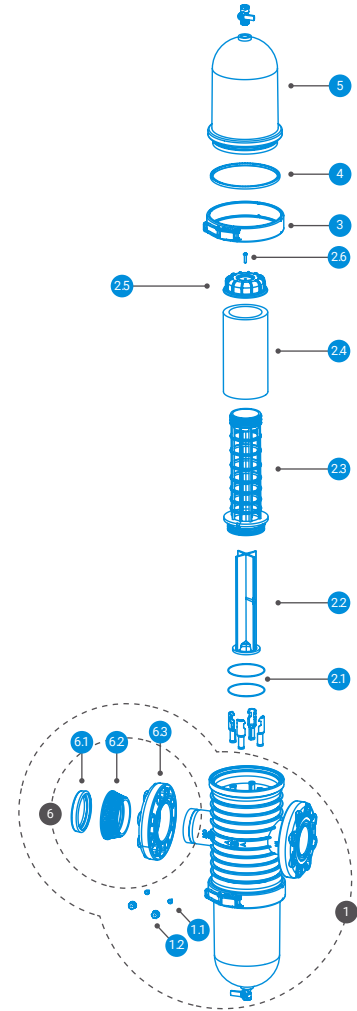
KEY	ITEM NUMBER	MODEL NUMBER	DESCRIPTION	PRICE EACH
1	70620-002130	25MDFSP-CVR23LITE	2" & 3" DUAL LITE FILTER COVER W/TAP	N/A
1.1	76200-007650	25AP50190112	1/2" PLUG FOR DISC FILTER	\$5.20
2	70620-004195	25AP50032361	3" DUAL LITE COVER O-RING	\$8.50
	70620-014040	25AP21261-200	3" DUAL LITE - COMP ELEMENT 200 MESH	\$234.00
	70620-014030	25AP21261-140	3" DUAL LITE - COMP ELEMENT 140 MESH	\$234.00
3	70620-014020	25AP21261-120	3" DUAL LITE - COMP ELEMENT 120 MESH	\$234.00
	70620-014010	25AP21261-080	3" DUAL LITE - COMP ELEMENT 80 MESH	\$234.00
	70620-014000	25AP21261-040	3" DUAL LITE - COMP ELEMENT 40 MESH	\$234.00
3.1	-	-	3" DUAL LITE - SPINE W/O DISCS	
3.2	-	-	3" DUAL LITE SPINE EXTENTION	
4	70620-004810	25AP22530325	3" AK FLANGE+RING+SEAL	\$165.00
4.1	-	-	3" PLASTIC FLANGE	
4.2	-	-	3" CONIC RING FOR FLANGE	
4.3	-	-	3" QUICK FLANGE GASKET	
5	70620-003335	25AP22321013	3" DUAL LITE LEADER FILTER - GROOVED BODY	\$217.00
5.1	74480-015800	25AP700190001305	PRESSURE CHECK POINT ASSEMBLY KIT	\$5.80
5.2				
6	-	-	3" DUAL LITE BODY PLUG 1/2"	
7	70620-004710	25AP22530235	3" DUAL LITE COVER CLAMP	\$78.00

# FILTERS

## 3" TWIN MANUAL DISC FILTER PARTS

(N)

KEY	ITEM NUMBER	MODEL NUMBER	DESCRIPTION	PRICE EACH
1	70620-003300	0	3" Twin Filter - Grooved Body	\$916.00
1.1	74480-015800	25AP700190001305	Pressure Check Point Assembly Kit	\$5.80
1.2				
	70620-002691	25AP49-200SDS	2" & 3" Filter - Comp Element 200 Mesh (D.s)	\$273.00
	70620-002690	25AP49-140SDS	2" & 3" Filter - Comp Element 140 Mesh (D.s)	\$273.00
2	70620-002680	25AP49-120SDS	2" & 3" Filter - Comp Element 120 Mesh (D.s)	\$273.00
	70620-002670	25AP49-080SDS	2" & 3" Filter - Comp Element 80 Mesh (D.s)	\$273.00
	70620-002650	25AP49-040SDS	2" & 3" Filter - Comp Element 40 Mesh (D.s)	\$273.00
2.1	-	-	2" & 3" Filter - Spine O-ring	
2.2	-	-	2" & 3" Dual Filter - Spine Extension Short	
2.3	-	-	2" & 3" Filter - Spine W/o Discs	
	70620-001440	25AP49-200S	2" & 3" Filter - Disc Set 200 Mesh	\$221.00
	70620-001430	25AP49-140S	2" & 3" Filter - Disc Set 140 Mesh	\$221.00
2.4	70620-001420	25AP49-120S	2" & 3" Filter - Disc Set 120 Mesh	\$221.00
	70620-001410	25AP49-080S	2" & 3" Filter - Disc Set 80 Mesh	\$221.00
	70620-001400	25AP49-040S	2" & 3" Filter - Disc Set 40 Mesh	\$221.00
2.5	-	-	2" & 3" Filter - Spine Cover Cap	
2.6	-	-	2" & 3" Filter - Screw For Spine Cover Cap	
3	70620-004700	25AP533131	2" & 3" Filter - Sst304 Cover Clamp	\$113.00
4	70620-003900	25AP532140	2" & 3" Filter Hydraulic Cover Seal	\$35.00
5	70620-002100	25AP22020023	2" & 3" Filter Cover W/o Stopper	\$171.00
6	70620-004810	25AP22530325	3" Flange + Ring + Seal	\$165.00
6.1	-	-	3" Quick Flange Gasket	
6.2	-	-	3" Conic Ring For Flange	
6.3	-	-	3" Plastic Flange	
	70620-002648	25AP21990020	2" & 3" Filter - Comp Spine W/o Discs (All 2 Minus 2.4)	\$99.00

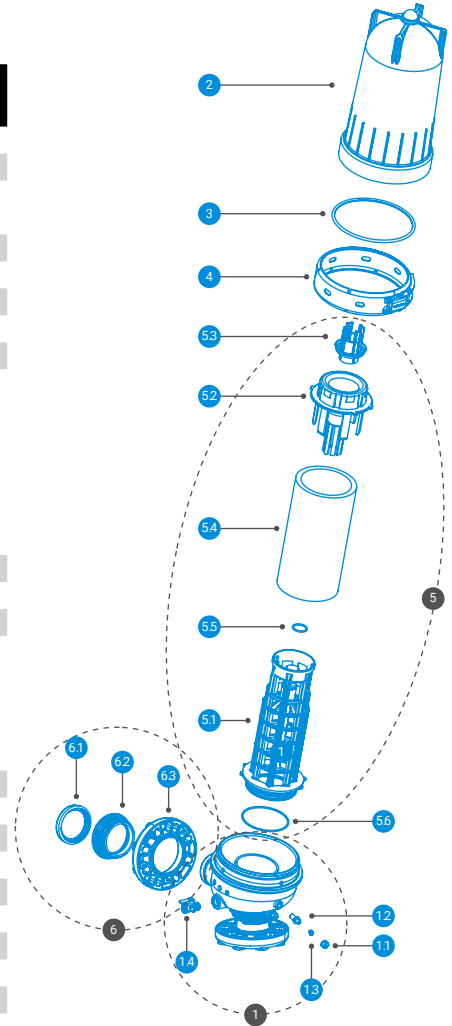


# FILTERS

## 3" AND 4" ANGLED DISC FILTER PARTS

(N)

KEY	ITEM NUMBER	MODEL NUMBER	DESCRIPTION	PRICE EACH
1A	70620-003383	25AP22371001	3" Super Angle Filter Grooved Body Assembly	\$388.00
1B	70620-003425	27AP22471001	4" Super Angle Filter Grooved Body Assembly	\$427.00
1.1				
1.3	74480-015800	25AP700190001305	Pressure Check Point Assembly Kit	\$5.80
1.2	-	-	¼"X¼" Nipple Black	
1.4	70620-003865	25AP50540212	½"X¼" Ball Valve Mbsp/fbsp	\$47.00
2	70620-002160	25AP25010601	Super Leader Filter Cover	\$491.00
3	70620-004300	25AP534341	Super Leader Filter Hydraulic Cover Seal	\$35.00
4	70620-004715	25AP534331	Super Leader/apollo Sst - Cover Clamp	\$267.00
	70620-003595	25AP1341-200	Super Leader Filter - Comp Element 200 Mesh	\$734.00
	70620-003590	25AP1341-140	Super Leader Filter - Comp Element 140 Mesh	\$734.00
	70620-003585	25AP1341-120	Super Leader Filter - Comp Element 120 Mesh	\$734.00
5	70620-003580	25AP1341-080	Super Leader Filter - Comp Element 80 Mesh	\$734.00
	70620-003575	25AP1341-040	Super Leader Filter - Comp Element 40 Mesh	\$734.00
	70620-003640	25AP21990043	Super Leader Filter - Complete Element w/o Discs	\$380.00
5.1	-	-	Super Leader Filter - Spine Body Only	
5.2	-	-	Super Leader Filter - Spine Cap	
5.3	-	-	Super Leader Filter - Spine Tightening Nut	
	70620-001480	25AP2341-200	Super Leader Filter - Disc Set 200 Mesh	\$420.00
	70620-001475	25AP2341-140	Super Leader Filter - Disc Set 140 Mesh	\$420.00
5.4	70620-001470	25AP2341-120	Super Leader Filter - Disc Set 120 Mesh	\$420.00
	70620-001460	25AP2341-080	Super Leader Filter - Disc Set 80 Mesh	\$420.00
	70620-001450	25AP2341-040	Super Leader Filter - Disc Set 40 Mesh	\$420.00
5.5	-	-	Super Leader Filter - Spine Cap O-ring	
5.6	-	-	Super Leader Filter - Spine O-ring	
6A	70620-004810	25AP22530325	3" Flange + Ring + Seal	\$165.00
6.1A	-	-	3" Quick Flange Gasket	
6.2A	-	-	3" Conic Ring For Flange	
6.3A	-	-	3" Plastic Flange	
6B	70620-004860	25AP22530425	4" Flange + Ring + Seal	\$200.00
6.1B	-	-	4" Plastic Flange	
6.2B	-	-	4" Conic Ring For Flange	
6.3B	-	-	4" Quick Flange Gasket	



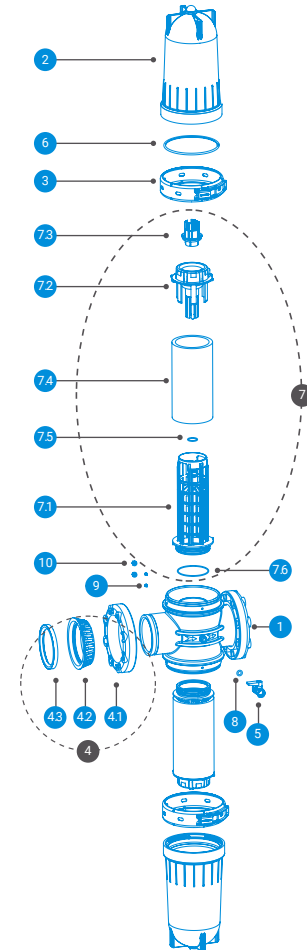
NOTE: For all available filtration degrees see page 21



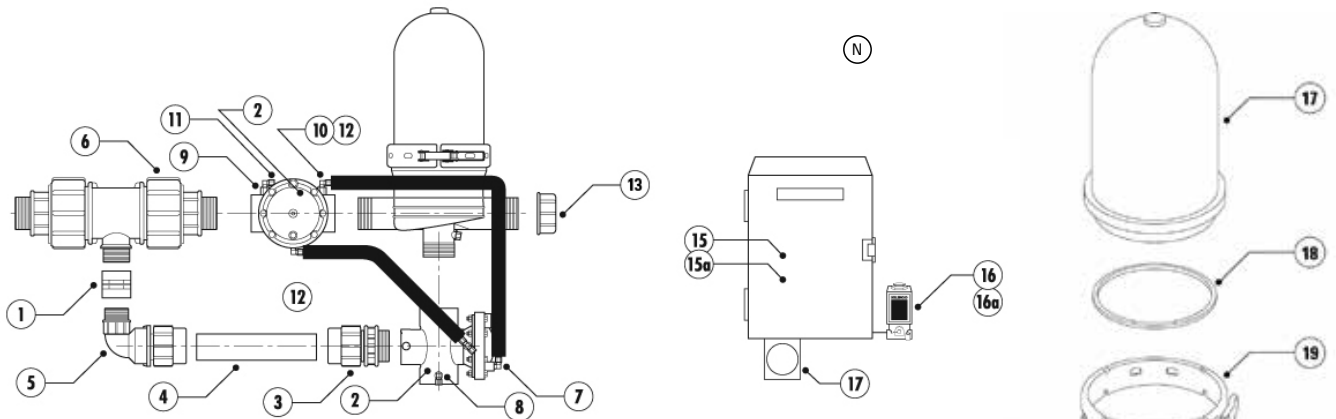
# FILTERS

## 4" AND 6" TWIN DISC FILTER PARTS

KEY	ITEM NUMBER	MODEL NUMBER	DESCRIPTION	PRICE EACH
1A	70620-003440	25AP22450001	4" Super Twin Filter Grooved Body	\$1,290.00
1B	70620-003448	25AP22460001	6" Super Twin Filter Grooved Body	\$1,290.00
2	70620-002160	25AP25010601	Super Leader Filter Cover	\$491.00
3	70620-004715	25AP534331	Super Leader/apollo Sst - Cover Clamp	\$267.00
4A	70620-004860	25AP22530425	4" Flange + Ring + Seal	\$200.00
4.1	-	-	4" Plastic Flange	
4.2	-	-	4" Conic Ring For Flange	
4.3	-	-	4" Quick Flange Gasket	
4B	70620-004880	25AP22530625	6" Flange + Ring + Seal	\$342.00
4.1	-	-	6" Plastic Flange	
4.2	-	-	6" Conic Ring For Flange	
4.3	-	-	6" Quick Flange Gasket	
5	76000-002400	0	3/4" Ball Valve	\$45.00
6	70620-004300	25AP534341	Super Leader Filter Hydraulic Cover Seal	\$35.00
7	70620-003595	25AP1341-200	Super Leader Filter - Comp Element 200 Mesh	\$734.00
	70620-003590	25AP1341-140	Super Leader Filter - Comp Element 140 Mesh	\$734.00
	70620-003585	25AP1341-120	Super Leader Filter - Comp Element 120 Mesh	\$734.00
	70620-003580	25AP1341-080	Super Leader Filter - Comp Element 80 Mesh	\$734.00
	70620-003575	25AP1341-040	Super Leader Filter - Comp Element 40 Mesh	\$734.00
7.1	70620-003640	25AP21990043	Super Leader Filter - Complete Element w/o Discs	\$380.00
7.1	-	-	Super Leader Filter - Spine Body Only	
7.2	-	-	Super Leader Filter - Spine Cap	
7.3	-	-	Super Leader Filter - Spine Tightening Nut	
7.4	70620-001480	25AP2341-200	Super Leader Filter - Disc Set 200 Mesh	\$420.00
	70620-001475	25AP2341-140	Super Leader Filter - Disc Set 140 Mesh	\$420.00
	70620-001470	25AP2341-120	Super Leader Filter - Disc Set 120 Mesh	\$420.00
	70620-001460	25AP2341-080	Super Leader Filter - Disc Set 80 Mesh	\$420.00
	70620-001450	25AP2341-040	Super Leader Filter - Disc Set 40 Mesh	\$420.00
7.5	-	-	Super Leader Filter - Spine Cap O-ring	
7.6	-	-	Super Leader Filter - Spine O-ring	
8	-	-	3/4" Ball Valve O-ring	
9	74480-015800	25AP700190001305	Pressure Check Point Assembly Kit	\$5.80
10				



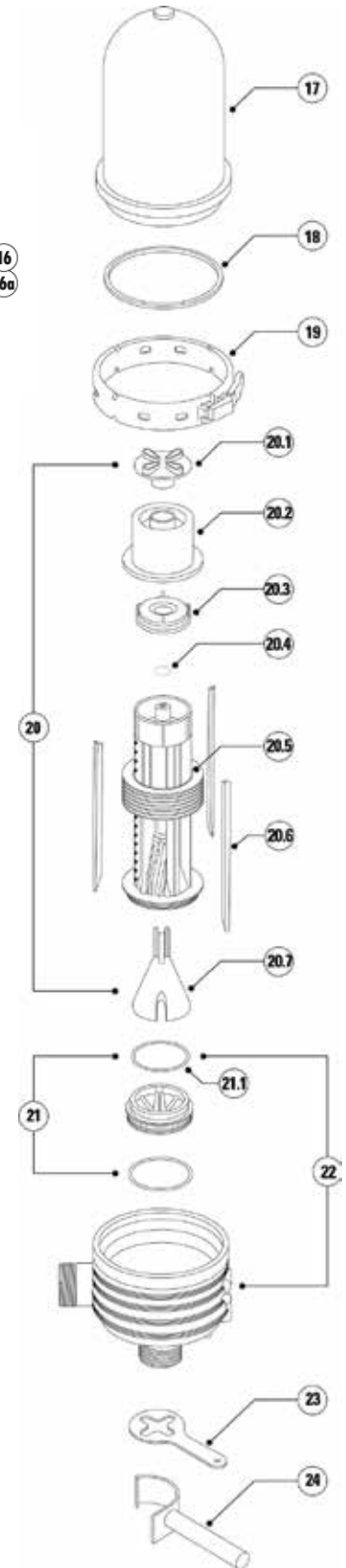
# FILTERS



## 2" COMPACT LP DISC-KLEEN FILTER PARTS

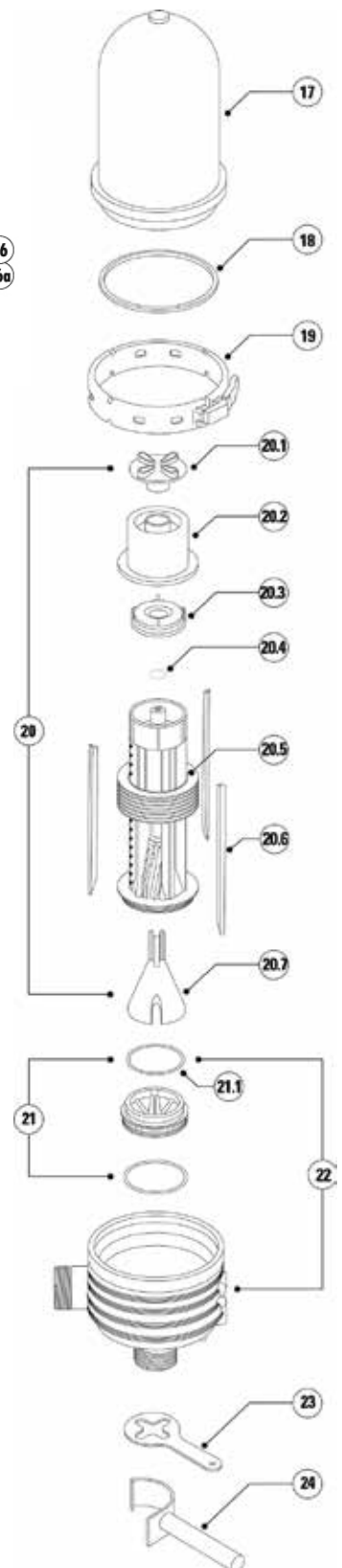
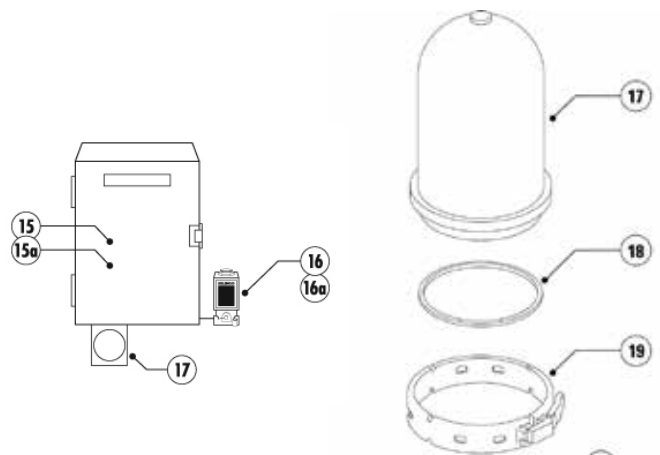
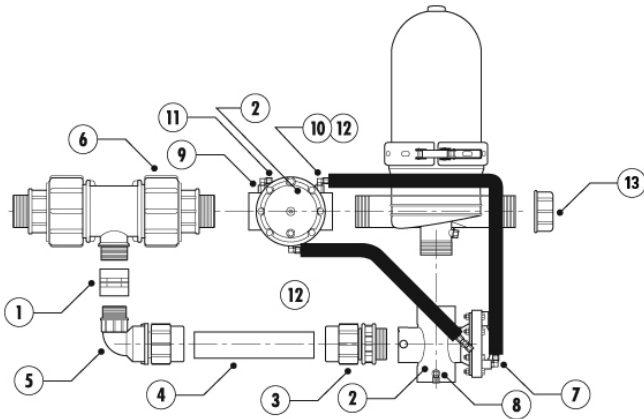
Model Numbers 26LP2A1

Key	Item Number	Model Number	Description	Price Each
1	75050-003500	25AP50225011	1 1/4" Coupling	22.00
2	71000-012780	61BFG2TP	2" Series 350 Plastic Backflush Valve	964.00
3	75040-012100	25AP50225042	2" Male Adapter	67.00
4	70620-008405	25AP22532265	PE Pipe	62.00
5	75040-022550	25AP50223041	90° Elbow	88.00
6	70620-007750	25AP18990051	Diverter Screen Filter	951.00
7	76400-004505	55P4714804-B	8 mm x 1/4" x 8 mm Tee (Bag 10)	75.30
8	76400-003503	55P4694804-B	1/4" x 8mm Angle Fitting (Bag 10)	59.40
9	71680-014170	61SF25P	1/4" Finger Filter	25.00
10	76400-003410	55P4694802-B	1/8" x 8 mm Angle Fitting (Bag 10)	59.40
11	76400-006310	55P1220204-B	1/4" Double Nipple (Bag 10)	21.20
12	74480-015800	25AP700190001305	Pressure Check Point Assembly Kit	5.80
13	-	-	Cap	-
14	00105-001400	23AXF2ACDC-D	AC Backflush Controller	1,916
14a	-	-	DC Latching Backflush Controller	-
15	71000-019400	61ARK12VDCL-MO	12VDC Latching Solenoid	369.00
15a	70800-003260	61BBC-024	24VAC Solenoid	262.00
16	00105-003200	23GALPD	PD Gauge	1,035.00
17	70620-002302	25AP25016220	Filter Cover (Grey)	171.00
18	70620-003900	25AP532140	Hydraulic Seal	35.00
19	70620-004700	25AP533131	Clamp	113.00
20	70620-000910	25AP21991002LC	Spine Complete without Rings	672.00
20	70620-007412	25AP21991008LC6	Spine Complete without Rings - Low Flow	672.00
20.1	70620-006010	25AP25066224G	Green Butterfly Nut	32.00
20.2	70620-007390	25AP25060226	Tightening Cylinder	63.00
20.3	70620-006452	25AP25300217N	White Piston	43.00
20.4	70620-004106	25AP50032115	O-Ring	7.70
20.5	-	25AP20221-***DK	Ring Set Only	221.00
20.6	70620-005850	25AP50760009	Abrasion Shield (High Flow Model Only)	7.80
20.7	70620-007050	25AP50060008	Cone Membrane	135.00
21	70620-006050	25AP22340324	Complex Adapter	61.00
21.1	70620-004150	25AP532240	O-Ring 2-234	18.00
22	70620-003286	25AP22002206	Body - Threaded Connection (Grey)	269.00
23	70620-007900	25AP50760028	Butterfly Nut Wrench	63.00
24	70620-008000	25AP133499	Spine Wrench	168.00



NOTE: Substitute \*\*\* with desired mesh.

# FILTERS



## 2" COMPACT DISC-KLEEN FILTER PARTS

Model Numbers 26ASK2A1

(N)

Key	Item Number	Model Number	Description	Price Each
1	75050-003500	25AP50225011	1 1/4" Coupling	22.00
2	71000-012780	61BFG2TP	2" Series 350 Plastic Backflush Valve	964.00
3	75040-012100	25AP50225042	2" Male Adapter	67.00
4	70620-008405	25AP22532265	PE Pipe	62.00
5	75040-022550	25AP50223041	90° Elbow	88.00
6	70620-007750	25AP18990051	Diverter Screen Filter	951.00
7	76400-004505	55P4714804-B	8 mm x 1/4" x 8 mm Tee (Bag 10)	75.30
8	76400-003503	55P4694804-B	1/4" x 8 mm Angle Fitting (Bag 10)	59.40
9	71680-014170	61SF25P	1/4" Finger Filter	25.00
10	76400-003410	55P4694802-B	1/8" x 8 mm Angle Fitting (Bag 10)	59.40
11	76400-006310	55P1220204-B	1/4" Double Nipple (Bag 10)	21.20
12	74480-015800	25AP700190001305	Pressure Check Point Assembly Kit	5.80
13	-	-	Cap	-
14	00105-001400	23AXF2ACDC-D	AC Backflush Controller	1,916.00
14a	-	-	DC Latching Backflush Controller	-
15	71000-019400	61ARK12VDCL-MO	12VDC Latching Solenoid	348.00
15a	70800-003260	61BBC-024	24VAC Solenoid	247.00
16	00105-003200	23GALPD	PD Gauge	1,035.00
17	70620-002070	25AP333132	Filter Cover	171.00
18	70620-003900	25AP532140	Hydraulic Seal	35.00
19	70620-004700	25AP533131	Clamp	113.00
20	70620-003600	25AP21991002	Spine Complete without Rings	672.00
20	70620-007410	25AP21991002LF5	Spine Complete without Rings - Low Flow	672.00
20.1	70620-006000	25AP25060224	Butterfly Nut	32.00
20.2	70620-007390	25AP25060226	Tightening Cylinder	63.00
20.3	70620-006452	25AP25300217N	White Piston	43.00
20.4	70620-066480	25AP22531225	Sliding Washer	7.70
20.5	-	25AP20221-***DK	Ring Set Only	221.00
20.6	70620-005850	25AP50760009	Abrasion Shield (High Flow Model Only)	7.80
20.7	70620-007050	25AP50060008	Cone Membrane	135.00
21	70620-006050	25AP22340324	Complex Adapter	61.00
21.1	70620-004150	25AP532240	O-Ring 2-234	18.00
22	70620-003285	25AP22240252	Body - Threaded Connection	269.00
23	70620-007900	25AP50760028	Butterfly Nut Wrench	63.00
24	70620-008000	25AP133499	Spine Wrench	168.00

NOTE: Substitute \*\*\* with desired mesh.

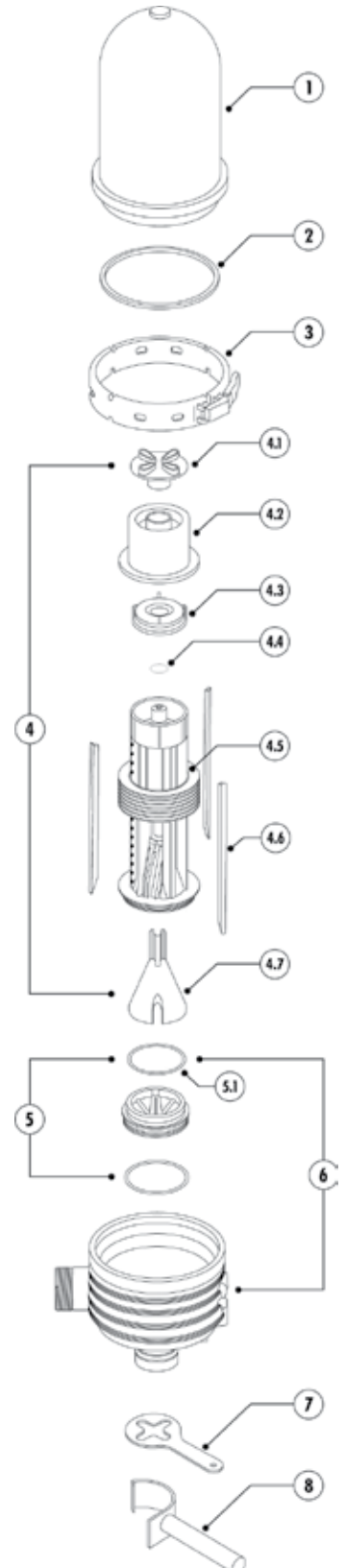
# FILTERS

## 2" LP DISC-KLEEN FILTER BATTERY PARTS

Model Numbers 26LP2PP

(N)

Key	Item Number	Model Number	Description	Price Each
1	70620-002302	25AP25016220	Filter Cover (Grey)	171.00
1a	70620-002320	25AP333132C	Filter Cover Clear (for demo only)	225.00
2	70620-003900	25AP532140	Hydraulic Seal	35.00
3	70620-004700	25AP533131	Clamp	113.00
4	70620-007403	25AP21991002LC	Spine Complete without Rings	672.00
4.1	70620-006010	25AP25060224G	Green Butterfly Nut	32.00
4.2	70620-007390	25AP25060226	Tightening Cylinder	63.00
4.3	70620-006452	25AP25300217N	White Piston	43.00
4.4	70620-004106	25AP50032115	O-Ring	7.70
4.5	70620-001665	25AP20221-040DK	Ring Set Only	221.00
4.6	70620-005850	25AP50760009	Abrasion Shield (HP Applications)	7.80
4.7	70620-007050	25AP50060008	Cone Membrane	135.00
5	70620-006050	25AP22340324	Complex Adapter	61.00
5.1	70620-004150	25AP532240	O-Ring 2-234	18.00
6	70620-003282	25AP22246253	Body - Victaulic Connection (Grey)	254.00
7	70620-007900	25AP50760028	Butterfly Nut Wrench	63.00
8	70620-008000	25AP133499	Spine Wrench	168.00
-	70620-011500	27AP5B00000024	Controller Mounting Bracket	127.00



## BACKFLUSH VALVE FOR 2" LP DISC-KLEEN FILTERS

(N)

Item Number	Model Number	Description	Price Each
71000-012780	61BFG2TP	2" Series 350 Plastic Backflush Valve	964.00

Visit [www.netafimusa.com](http://www.netafimusa.com) for backflush valve replacement parts.

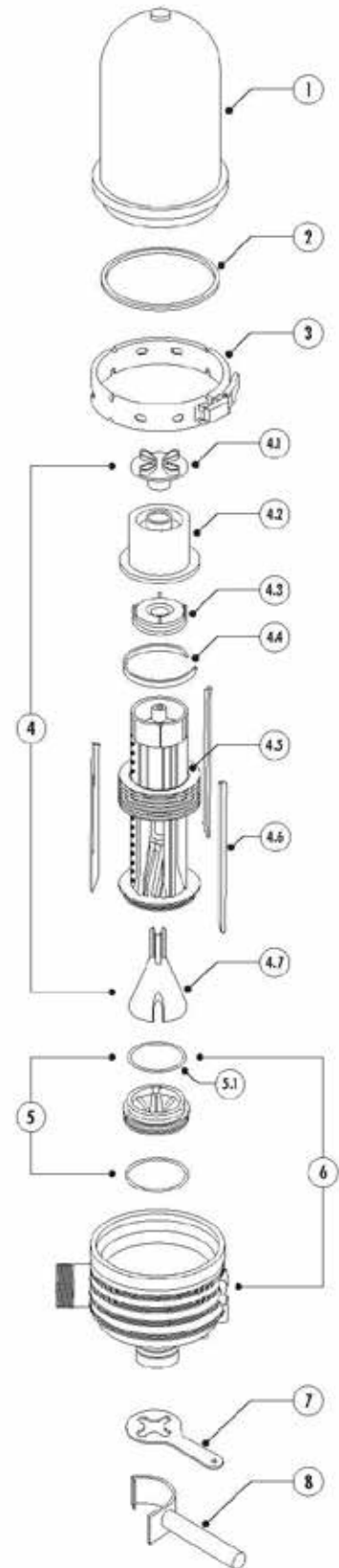
# FILTERS

## 2" DISC-KLEEN FILTER BATTERY PARTS

Model Numbers 26ASK2PP

(N)

Key	Item Number	Model Number	Description	Price Each
1	70620-002070	25AP333132	Filter Cover	216.00
1a	70620-002320	25AP333132C	Filter Cover Clear (for demo only)	225.00
2	70620-003900	25AP532140	Hydraulic Seal	35.00
3	70620-004700	25AP533131	Clamp	113.00
4	70620-003600	25AP21991002	Spine Complete without Rings	672.00
4.1	70620-006000	25AP25060224	Butterfly Nut	35.00
4.2	70620-007390	25AP25060226	Tightening Cylinder	63.00
4.3	70620-006452	25AP25300217N	White Piston	43.00
4.4	70620-006480	25AP22531225	Sliding Washer	11.00
4.5	70620-001665	25AP20221-040DK	Ring Set Only	221.00
4.6	70620-005850	25AP50760009	Abrasion Shield (HP Applications)	7.80
4.7	70620-007050	25AP50060008	Cone Membrane	135.00
5	70620-006050	25AP22340324	Complex Adapter	61.00
5.1	70620-004150	25AP532240	O-Ring 2-234	18.00
6	70620-003280	25AP22240253	Body - Victaulic Connection	254.00
7	70620-007900	25AP50760028	Butterfly Nut Wrench	63.00
8	70620-008000	25AP133499	Spine Wrench	168.00
-	70620-011500	27AP5B00000024	Controller Mounting Bracket	127.00



**NOTE:** Substitute \*\*\* with desired mesh.

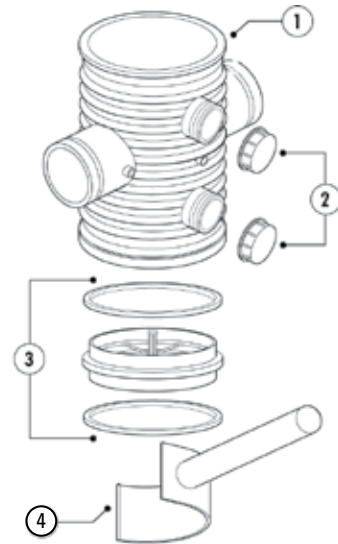
# FILTERS

## 3" LP DISC-KLEEN FILTER BATTERY PARTS

Model Numbers 26LP3PPB

(N)

Key	Item Number	Model Number	Description	Price Each
1	70620-003429	25AP25006303	Body (Grey)	914.00
2	70620-005900	25AP332115	2" cap	32.00
3	70620-006050	25AP22340324	Spine Adapter with O-Rings	61.00
4	70620-008000	25AP133499	Spine Wrench	168.00
5	70620-007403	25AP21991002LC	Spine Complete without Rings	672.00
5a	70620-001665	25AP20221-040DK	Ring Set Only	221.00
6	70620-007390	25AP25060226	Tightening Cylinder	63.00
7	70620-006010	25AP25060224G	Green Butterfly Nut	32.00
8	70620-007900	25AP50760028	Butterfly Nut Wrench	63.00
9	70620-004700	25AP533131	Clamp	113.00
10	70620-003900	25AP532140	Cover O-Ring	35.00
11	70620-002302	25AP25016220	Filter Cover (Grey)	171.00
11a	70620-002320	25AP333132C	Filter Cover Clear (for demo only)	225.00
12	70620-006452	25AP25300217N	White Piston	43.00
13	70620-004106	25AP50032115	O-Ring	7.70
-	70620-011500	27AP5B00000024	Controller Mounting Bracket	127.00

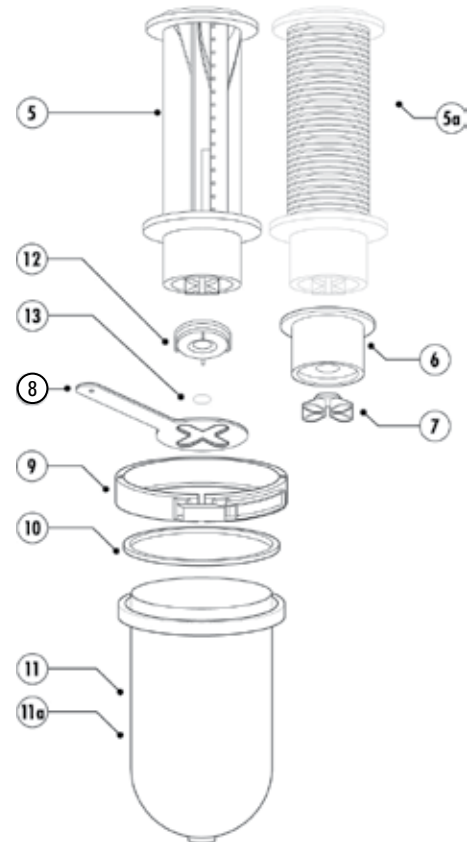


## BACKFLUSH VALVES FOR 3" LP DISC-KLEEN FILTERS

(N)

Item Number	Model Number	Description	Price Each
71000-013360	61BFG3PB	3" Series 350 Plastic Backflush Valve	1,022.00
71600-006750	61BFG3PSK	3" Plaslite® Plastic Backflush Valve	1,106.00

Visit [www.netafimusa.com](http://www.netafimusa.com) for backflush valve replacement parts.



**NOTE:** Substitute \*\*\* with desired mesh.

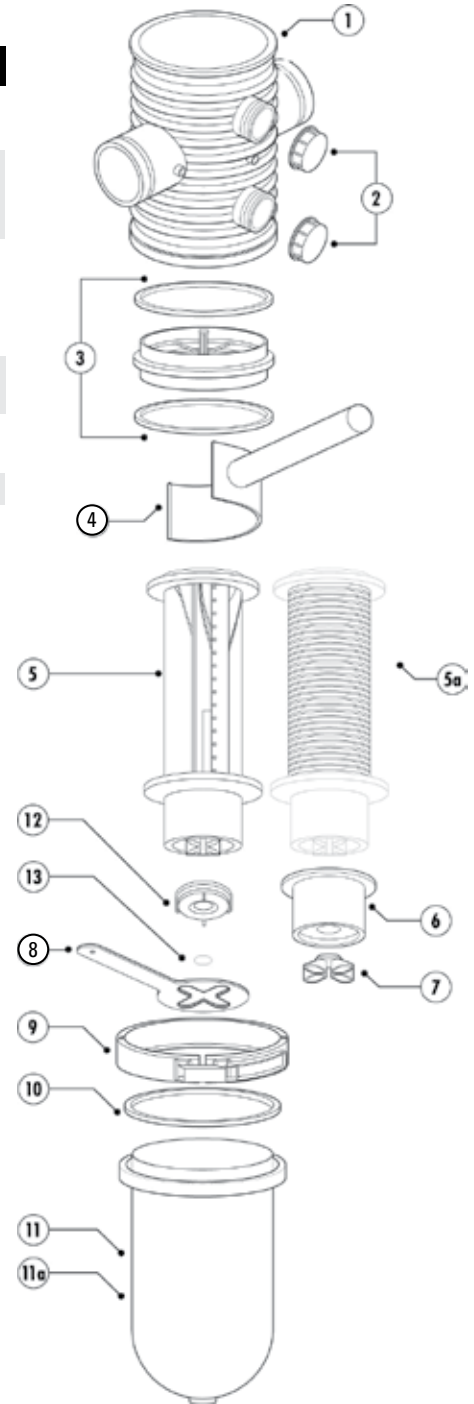
# FILTERS

## 3" DISC-KLEEN FILTER BATTERY PARTS

Model Number 26ASK3PP

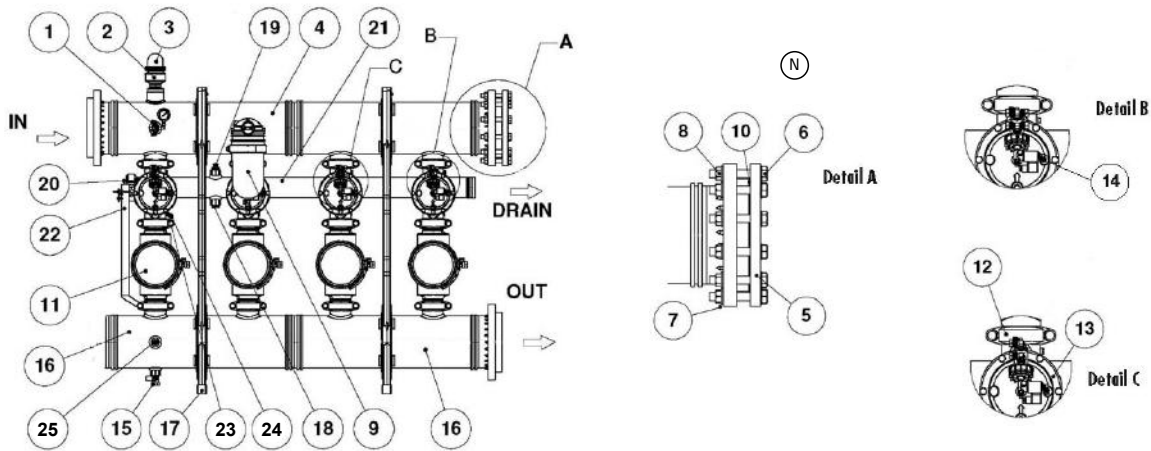
(N)

Key	Item Number	Model Number	Description	Price Each
1	70620-003430	25AP22341004	Body	914.00
2	70620-005900	25AP332115	2" cap	32.00
3	70620-006050	25AP22340324	Spine Adapter with O-Rings	61.00
4	70620-008000	25AP133499	Spine Wrench	168.00
5	70620-000910	25AP21991002	Spine Complete without Rings	672.00
5a	70620-001665	25AP20221-040DK	Ring Set Only	221.00
6	70620-007390	25AP25060226	Tightening Cylinder	63.00
7	70620-006000	25AP25060224	Butterfly Nut	35.00
8	70620-007900	25AP50760028	Butterfly Nut Wrench	63.00
9	70620-004700	25AP533131	Clamp	113.00
10	70620-003900	25AP532140	Cover O-Ring	35.00
11	70620-002070	25AP333132	Filter Cover	216.00
11a	70620-002320	25AP333132C	Filter Cover Clear (for demo only)	225.00
12	70620-006452	25AP25300217N	White Piston	43.00
13	70620-004106	25AP50032115	O-Ring	7.70
-	70620-011500	27AP5B00000024	Controller Mounting Bracket	127.00



**NOTE:** Substitute \*\*\* with desired mesh.

# FILTERS



## APOLLO DISC-KLEEN FILTER BATTERY PARTS

Model Numbers 26ASK\*PP or 26ASK\*PPB and the NEW Modular Apollo 26SK\*PB

Key	Item Number	Model Number	Description	Price Each
1	-	-	Pressure Gauge Assembly	-
2	70561-001660	65ARIB2PP	2" Combination Air Vent	256.00
3	-	25AP50480222	Extension for Combination Air Vent	61.00
4	-	-	Inlet Manifold	Call for Quote
5	00110-001520	25APMODBLINDFLG-P	Blind Flange	1,053.00
6	-	25AP50402139	7/8" Bolt for Blind Flange	32.00
7	-	25AP50409017	7/8" Washer for Blind Flange	3.30
8	-	25AP50408017	7/8" Nut for Blind Flang	14.00
9	70641-003640	25A30-120	2" Command Filter	621.00
10	00110-001521	25APMODGASKET	Gasket for Blind Flange	55.00
11	70600-001177	25AP14461-120	Apollo 4" Twin Filter	7,873.00
	70600-001091	25AP13761LC120	Apollo 3" Angle Filter	4,241.00
12	70040-003100	44VIC04	4" Victaulic Coupling	82.00
13	71000-013440	61BFG4GPGB-DM	4" Series 350 Plastic Backflush Valve	1,626.00
	71000-013360	61BFG3PB	3" Series 350 Plastic Backflush Valve (Angle Filter only)	1,022.00
14	70800-003260	61BBC-024	24VAC Normally Closed Solenoid	262.00
15	76601-001400	62SBV100F	1" Ball Valve	86.00
16	-	-	Outlet Manifold	Call for Quote
17	-	25AP22531001	Plastic Support Leg for 10" Inlet/Outlet Manifolds	1,014.00
	-	25AP22531210	Plastic Support Leg for 12" Inlet/Outlet Manifolds	1,096.00
	75050-008500	595177100	1" Plug	6.10
18	70620-008360	25AP22530512	1" Vacuum Breaker on Drain Manifold	29.00
20	78201-010100	44VICCP04	4" Victaulic Cap	33.00
21	-	-	Drain Manifold	Call for Quote
22	70041-004000	25AP22541230	Mounting Bracket for Backflush Controller	619.00
23	71680-014170	61SF25P	Plastic Finger Filter	23.00
24	76400-003410	55P4694802-B	Plastic Elbow 8mm x 1/8" M for Solenoid & Relay (Bag 10)	56.00
25	76400-004505	55P4714804-B	Plastic Male Branch Tee 8mm x 1/4" x 8mm (Bag 10)	71.00
-	00110-001540	25APMODKITFLNG	Flange-Bolt Kit: includes 24 bolts, 48 washers, 24 nuts, 2 flanges	2,568.00
-	00110-001550	25APMODKIT5 - 8	Adapter Kit: includes 24 bolts, 48 washers, 24 nuts, 1 drain manifold, 1 connector	1,469.00
-	76400-005410	55P1210400-B	1/4" Plug (Bag 10)	11.00
-	40001-000382	15CONT8C50	8mm Control Tube (50' Roll)	18.50

Model Numbers will be different based on filter configurations.

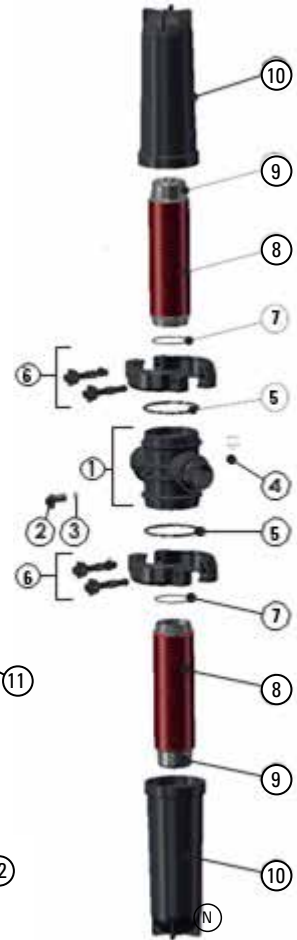


# FILTERS

## APOLLO DISC-KLEEN FILTER PARTS

Twin Filter

Key	Item Number	Model Number	Description	Price Each
1	70620-003432	25AP22000402	4" Twin Body	900.00
	71610-035700	62SBV75	Drain Tap Valve 3/4" M x F	59.00
2	76000-002400	25AP50540112	3/4" Ball Valve	45.00
3	70620-007065	25AP50032311	O-Ring for 3/4" Ball Valve	8.20
4	74480-015800	25AP700190001305	Pressure Check Point Assembly Kit	5.80
5	70620-004300	25AP534341	Cover Gasket	35.00
6	70620-019450	25AP70019003658	Clamp - Polymeric Complete	335.00
7	70620-004146	25AP50022355	Spine Seat O-Ring	9.50
8	70620-001606	25AP20334-080	Ring Set Only	455.00
9	70620-007414	25AP21991040LC	Spine Assembly without Rings	1,944.00
10	70620-002162	25AP25010602	Filter Cover	536.00
11	70620-019460	25APLCLPWRENCH	Wrench for Polymeric Clamp Bolts	22.00
12	70620-007900	25AP50760028	Butterfly Nut Wrench	63.00



## APOLLO DISC-KLEEN FILTER PARTS

Angle Filter

Key	Item Number	Model Number	Description	Price Each
1	70620-003384	25AP22371011	3" Angle Body	458.00
2	70620-003865	25AP50540212	1/4" x 1/2" Ball Valve	47.00
3	74480-015800	25AP700190001305	Pressure Check Point Assembly Kit	5.80
4	70620-004300	25AP534341	Cover Gasket	35.00
5	70620-019450	25AP70019003658	Clamp - Polymeric Complete	335.00
6	70620-004146	25AP50022355	Spine Seat O-Ring	9.50
7	70620-001606	25AP20334-080	Ring Set Only	455.00
8	70620-007414	25AP21991040LC	Spine Assembly without Rings	1,944.00
9	70620-002162	25AP25010602	Filter Cover	536.00
10	70620-007900	25AP50760028	Butterfly Nut Wrench	63.00
11	70620-019460	25APLCLPWRENCH	Wrench for Polymeric Clamp Bolts	22.00

# FILTERS



# FILTERS

## SANDSTORM SINGLE CHAMBER METAL MEDIA FILTER BATTERY PARTS

Model Numbers 2SMFSB - Blue Color

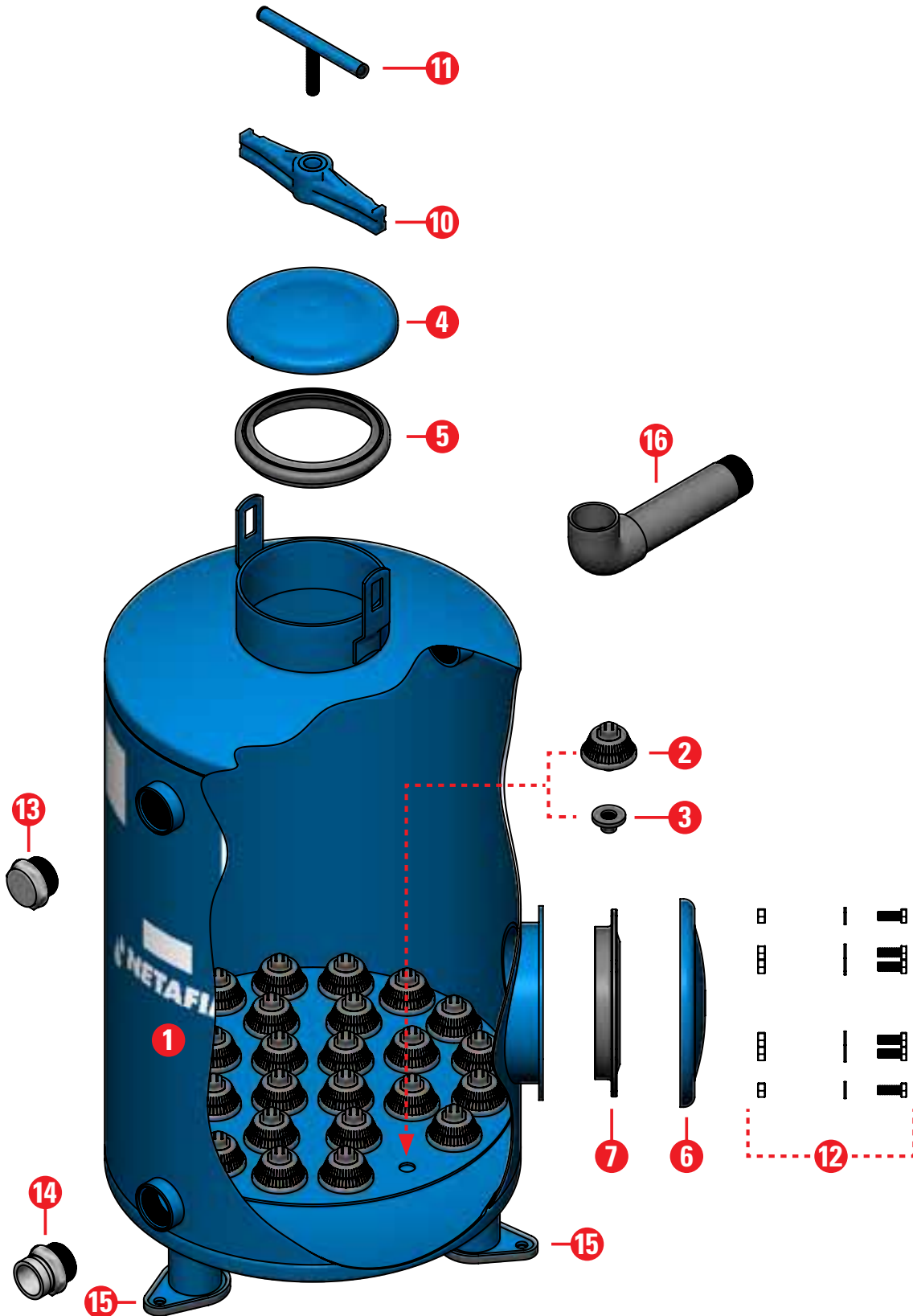


Key	Item Number	Model Number	Description	Price Each
1	-	-	Filter Body (not available as as spare part	-
* 2	71915-000124	2SMUNDDRAINCOL30	Underdrain Collector (30")	Call for Quote
	71915-000125	2SMUNDDRAINCOL36	Underdrain Collector (36")	Call for Quote
	71915-000126	2SMUNDDRAINCOL48	Underdrain Collector (48")	604.00
3,4,5,6	71915-000128	2SMPLSWASHER	Plastic Washer (Rounded)	3.57
3	71915-000127	2SMUSHROOM	Mushroom Diffuser	8.59
4	71915-000131	2SMUNDDRAIN-S	Underdrain Element S (All Sizes)	16.09
5	71915-000132	2SMUNDDRAIN-M	Underdrain Element M (36" and 48")	21.29
6	71915-000133	2SMUNDDRAIN-L	Underdrain Element L (48")	27.71
	71915-000001	2SMFLTWASHER	Plastic Flat Washer	3.57
7	71915-000245	2SMUNDDRAINBOLTKIT	Underdrain Screw Set	84.00
8	71915-000233	2SMERCVEPLATE9	Service Cover Plate 9" (30",36",48") Top/Side/Bottom	206.00
9	71915-000232	2SMERCVEGASKET9	Service Cover Gasket 9" (30",36",48") Top/Side/Bottom	60.48
10	71915-000137	2SMCOVERBOLTKIT	Service Cover Bolt Kit (30",36",48") Top/Side/Bottom	Call for Quote
11	71915-000252	2SMEXTLEGORING	Extension Leg O-Rings	Call for Quote
12	71915-000250	2SMEXTSTDLEG	Extension Legs Standard (30" and 36")	112.00
	71915-000251	2SMEXTLONGLLET	Extension Legs Long (48")	135.00
13	71915-000136	2SMRUBRLEGCAP	Extension Leg Rubber Cup	15.34

### \* QUANTITY OF UNDERDRAIN ELEMENTS

Tank Diameter (in)	Underdrain Elements			Mushroom Diffusers
	S	M	L	
30	10	-	-	2
36	8	6	-	4
48	12	4	6	8

# FILTERS



# FILTERS

## SANDSTORM DOUBLE CHAMBER METAL MEDIA FILTER BATTERY PARTS

Blue Color

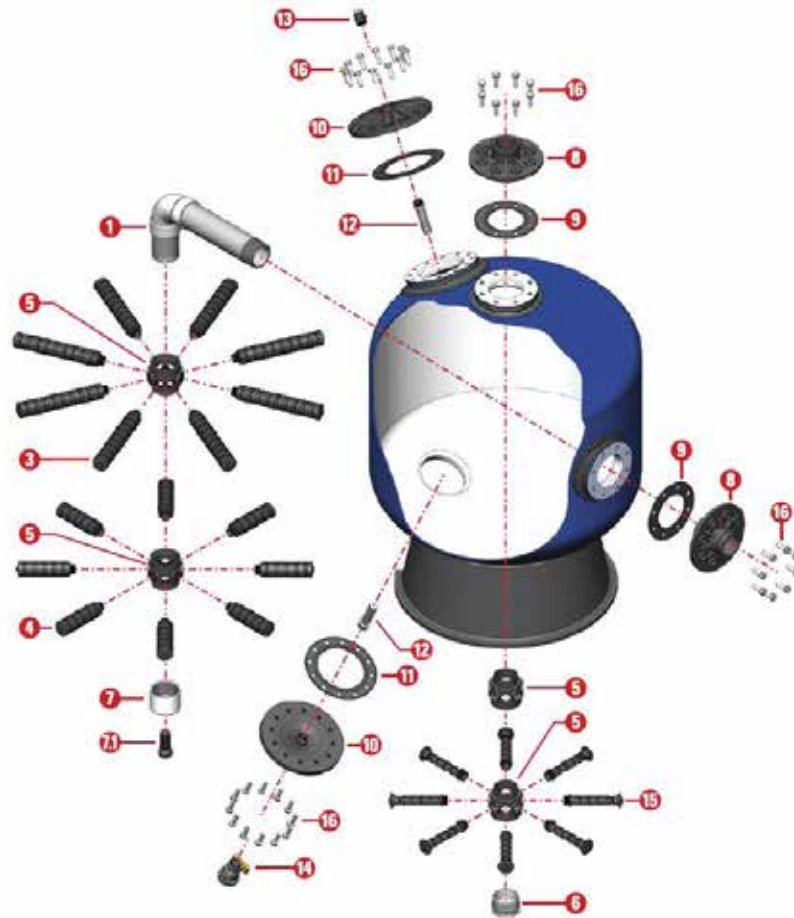


Key	Item Number	Model Number	Description	Price Each
1	-	-	Filter Body (not available as as spare part)	
* 2	71915-000102	2SMDCNUSHRM	Mushroom Diffuser	10.14
* 3	71915-000103	2SMDCMUSHRMGASKET	Mushroom Gasket	3.77
4	71915-000109	2SMTOPCVRPLATE8	Top Cover Plate 8" (16",20",24")	132.00
5	71915-000107	2SMCOVERGASKET8	Top Cover Gasket 8" (16",20",24")	54.73
6	71915-000112	2SMSERVCVRPLATE6	Side Cover Plate 6" (16",20")	63.99
	71915-000113	2SMSERCVRPLATE8	Side Cover Plate 8" (24")	73.50
7	71915-000110	2SMCOVERGASKET6	Side Cover Gasket 6" (16",20")	38.25
	71915-000107	2SMCOVERGASKET8	Side Cover Gasket 8" (24")	54.73
10	71915-000104	2SMTIGHTBRIDGEV2	Tightening Bridge	134.00
11	71915-000105	2SMSP1070	Tightening Handle	15.28
12	71915-000114		Bolt M12x50	Call for Quote
	71915-000115		Nut M12	Call for Quote
13	75050-008800		2" Male Plug	Call for Quote
14	71910-000104		2" Male Adapter	Call for Quote
15	71915-000136	2SMRUBRLEGCAP	Rubber Leg Cup	15.34
16	71915-000117		PVC Nipple and Elbow (16")	Call for Quote
	71915-000118		PVC Nipple and Elbow (20")	Call for Quote
	71915-000119		PVC Nipple and Elbow (24")	Call for Quote

### \* QUANTITY OF MUSHROOM DIFFUSERS AND RUBBER GASKETS

Tank Diameter (in)	Quantity
16	14
20	16
24	28

# FILTERS



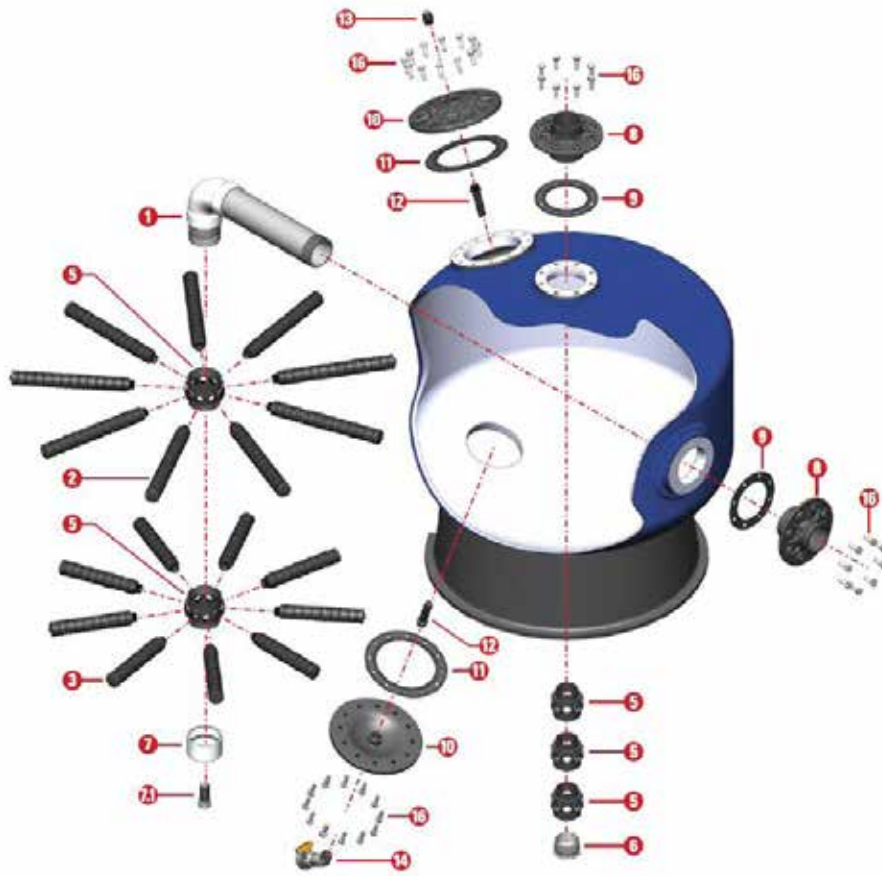
## SANDSTORM NC SPARE PARTS

Model Numbers 2NC3 - 36"

(N)

Key	Item Number	Model Number	Description	Price Each
1	71916-000500	2NC36ELBOWKIT	3" Elbow Kit for 36" NC Tank	54.00
3	71916-000631	2NC3648UD12	12" Underdrain Element for 36" / 48" NC Tanks	24.00
4	71916-000630	2NC36UD07	7" Underdrain Element for 36" NC Tank	17.00
5	71916-000300	2NC36HUB3	3" Hub for 36" NC Tank	39.00
6	71916-000700	2NC36DIFPLUG3	3" Diffuser Plug for 36" NC Tank	69.00
7	71916-000600	2NC36CAP3	3" Underdrain Cap for 36" NC Tank	76.00
7.1	71916-000660	2NC3648UDSUPN&B	Underdrain Support Nut & Bolt for 36" / 48" Tanks	25.00
8	71916-000100	2NC36VIC3	3" Victaulic Adapter for 36" NC Tank	62.00
9	71916-000400	2NC36GASKET	Port Gasket for 36" NC Tank	18.00
10	71916-000200	2NC36COVER	Cover for 36" NC Tank	124.00
11	71916-000201	2NC36COVERGASKET	Cover Gasket for 36" / 48" NC Tanks	26.00
12	71916-000800	2NC3648FF	Finger Filter for 36" / 48" NC Tanks	4.40
13	71910-105320	2NC3648VB	Vacuum Breaker for 36" / 48" NC Tanks	4.00
14	71910-105100	2NC3648BV1	1" Ball Valve FOR 36" / 48" NC Tanks	6.50
15	71916-000650	2NC36DIF7	7" Diffuser Element for 36" NC Tank	7.00
16	71916-000900	2NC3648W&B	Washer & Bolt Kit (40) for 36" / 48" NC Tanks	4.10

# FILTERS



\*The elbow is for transportation purpose only.  
Part 14 can be connected directly to part 10.

## SANDSTORM NC SPARE PARTS

Model Numbers 2NC3 - 48"

(N)

Key	Item Number	Model Number	Description	Price Each
1	71916-000501	2NC48ELBOWKIT	3" Elbow Kit for 48" NC Tank	87.00
3	71916-000632	2NC48UD12	17" Underdrain Element for 36" / 48" NC Tanks	34.00
4	71916-000631	2NC3648UD07	12" Underdrain Element for 48" NC Tank	24.00
5	71916-000301	2NC48HUB3	4" Hub for 48" NC Tank	45.00
6	71916-000701	2NC48DIFPLUG3	4" Diffuser Plug for 48" NC Tank	81.00
7	71916-000601	2NC48CAP3	4" Underdrain Cap for 48" NC Tank	91.00
7.1	71916-000660	2NC3648UDSUPN&B	Underdrain Support Nut & Bolt for 36" / 48" Tanks	25.00
8	71916-000101	2NC48VIC3	4" Victaulic Adapter for 48" NC Tank	67.00
9	71916-000401	2NC48GASKET	Port Gasket for 48" NC Tank	21.00
10	71916-000202	2NC48COVER	Cover for 48" NC Tank	165.00
11	71916-000203	2NC48COVERGASKET	Cover Gasket for 36" / 48" NC Tanks	32.00
12	71916-000800	2NC3648FF	Finger Filter for 36" / 48" NC Tanks	4.40
13	71910-105320	2NC3648VB	Vacuum Breaker for 36" / 48" NC Tanks	4.00
14	71910-105100	2NC3648BV1	1" Ball Valve FOR 36" / 48" NC Tanks	6.50
16	71916-000900	2NC3648W&B	Washer & Bolt Kit (40) for 36" / 48" NC Tanks	4.10

# FILTERS

Inlet/Outlet Manifold - 1 Outlet



Backflush Manifold - 1 Outlet



Inlet/Outlet Manifold - 2 Outlets



Backflush Manifold - 2 Outlets



## SANDSTORM - MANIFOLDS

Item Number	Model Number	Description	Price Each
71910-001715	2SM4X3X220	4" Inlet/Outlet Manifold, 3 outlet, 2" size (16" and 20")	431.00
71910-001706	2SM4X2X220	4" Inlet/Outlet Manifold, 2 outlet, 2" size (16" and 20")	302.00
71910-001714	2SM3X3X21620BF	3" Backflush Manifold, 3 outlet, 2" size (16" and 20")	369.00
71910-001705	2SM3X2X21620BF	3" Backflush Manifold, 2 outlet, 2" size (16" and 20")	259.00
71910-001717	2SM4X3X224	4" Inlet/Outlet Manifold, 3 outlet, 2" size (24")	556.00
71910-001708	2SM4X2X224	4" Inlet/Outlet Manifold, 2 outlet, 2" size (24")	362.00
71910-001716	2SM3X3X224BF	3" Backflush Manifold, 3 outlet, 2" size (24")	474.00
71910-001707	2SM3X2X224BF	3" Backflush Manifold, 2 outlet, 2" size (24")	308.00
71910-001701	2SM6X1X330-36	6" Inlet/Outlet Manifold, 1 outlet, 3" size (30" and 36")	380.00
71910-001710	2SM6X2X330-36	6" Inlet/Outlet Manifold, 2 outlets, 3" size (30" and 36")	802.00
71910-001700	2SM3X1X30-36BF	3" Backflush Manifold, 1 outlet, 2" size (30" and 36")	222.00
71910-001709	2SM3X2X33036BF	3" Backflush Manifold, 2 outlets, 2" size (30" and 36")	454.00
71910-001704	2SM8X1X448	8" Inlet/Outlet Manifold, 1 outlet, 4" size (48")	642.00
71910-001713	2SM8X2X448	8" Inlet/Outlet Manifold, 2 outlets, 4" size (48")	1,243.00
71910-001703	2SM4X1X348BF	4" Backflush Manifold, 1 outlet, 3" size (48")	303.00
71910-001712	2SM4X2X348BF	4" Backflush Manifold, 2 outlets, 3" size (48")	607.00

## SANDSTORM - INLET/OUTLET MANIFOLD END CAPS

Item Number	Model Number	Description	Price Each
71910-001800	2SMCAP4/3X1NPT	4" Inlet/Outlet End Cap, Female Threaded 3 x 1"	124.00
71910-001802	2SMCAP6	6" Inlet/Outlet End Cap, Female Threaded 2 x 2" and 1 x 1"	200.00
71910-001804	2SMCAP8	8" Inlet/Outlet End Cap, Female Threaded 2 x 2" and 1 x 1"	230.00
71910-001821	2SMX2X1CAP10	10" Inlet/Outlet End Cap, Female Threaded 2 x 2" and 1 x 1"	249.00



## SANDSTORM - BACKFLUSH MANIFOLD END CAPS

Item Number	Model Number	Description	Price Each
71910-001791	2SMCAP3	3" Backflush End Cap	66.15
71910-001792	2SMCAP4	4" Backflush End Cap	91.56



## SANDSTORM - MANIFOLD T FITTINGS

Item Number	Model Number	Description	Price Each
71910-002300	-	8" T Fitting, 2 x 6" Outlets	Call for Quote
71910-002302	2SMTEE8X10X8V	10" T Fitting, 2 x 8" Outlets	380.00
71910-002232	2SMH10X12X10X8VV	12" H Fitting, 10" Pipe, 2 x 8" Outlets	1,803.00
71910-002251	2SMH12X16X12X8VV	16" H Fitting, 12" Pipe, 2 x 8" Outlets	3,846.00



## SANDSTORM - MANIFOLD COUPLING ADAPTERS

Item Number	Model Number	Description	Price Each
71910-002003	2SMFL/VIC3	3" Flange-Groove Coupling	210.00
71910-002006	2SMFL/VIC4	4" Flange-Groove Coupling	235.00
71910-002009	2SMFL/VIC6	6" Flange-Groove Coupling	375.00
71910-002012	2SMFL/VIC8	8" Flange-Groove Coupling	557.00
71910-002015	2SMFL/VIC10	10" Flange-Groove Coupling	1,066.00

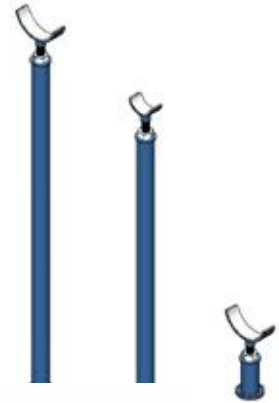




# FILTERS

## SANDSTORM - MANIFOLD SUPPORT STANDS <sup>(N)</sup>

Item Number	Model Number	Description	Price Each
71910-001965	2SMSTAND6-1700	Inlet Manifold Stand 6" x 67" (36")	256.00
71910-001908	2SMSTAND6-150	Outlet Manifold, Straight Systems, Stand 6" x 6" (30")	71.09
71910-001893	2SMSTAND3-1500	Backflush Manifold Stand 3" x 60" (36")	202.00
71910-001965	2SMSTAND6-1700	Inlet Manifold Stand 6" x 67" (36")	256.00
71910-001909	2SMSTAND6-200	Outlet Manifold, Straight Systems, Stand 6" x 8" (36")	74.73
71910-001893	2SMSTAND3-1500	Backflush Manifold Stand 3" x 60" (36")	202.00
71910-001971	2SMSTAND8-1700	Inlet Manifold Stand 8" x 67" (48")	274.00
71910-001970	2SMSTAND8-100	Outlet Manifold, Straight Systems, Stand 8" x 4" (48")	69.83
71910-001952	2SMSTAND4-1400	Backflush Manifold Stand 4" x 55" (48")	185.00



## SANDSTORM - CONTROL KIT <sup>(N)</sup>

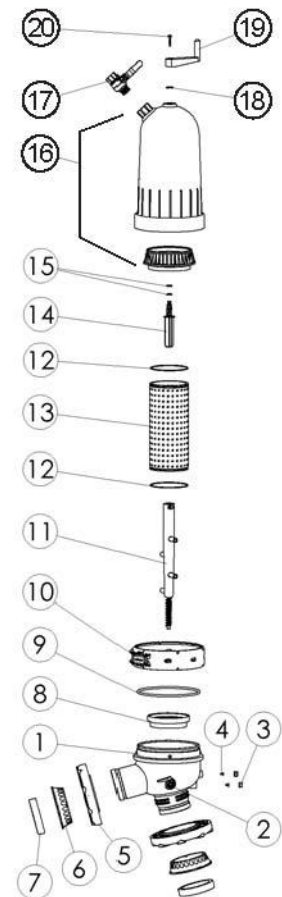
Item Number	Model Number	Description	Price Each
37090-009610	2SMCONTROLKIT	1" Control Kit NPT Connection	742.00



## SCAN-KLEEN SCREEN FILTER PARTS <sup>(N)</sup>

Angle Filter

Key	Item Number	Model Number	Description	Price Each
1	70620-003383	25AP22371001	3" Angle Filter Body - Grooved	388.00
	70620-003425	27AP22471001	4" Angle Filter Body - Grooved	427.00
2	70620-003865	25AP50540212	1/2" Flushing Ball Valve	47.00
3	74480-015800	25AP700190001305	Pressure Check Point Assembly Kit	5.80
5	70620-004770	25AP25100325	Loose Flange for 3" Angle	80.00
	70620-004840	25AP25100425	Loose Flange for 4" Angle	104.00
6	70620-004930	25AP25070308	Cone Ring for 3" Angle	24.00
	70620-004935	25AP25070402	Cone Ring for 4" Angle	33.00
7	70620-004900	25AP50052013	Seal for Quick Flange for 3" Angle	30.00
	70620-004920	25AP50052014	Seal for Quick Flange for 4" Angle	33.00
8	70620-012921	27AP25030407-C	Lower Seat	58.00
9	70620-004300	25AP534341	Hydraulic Seal	35.00
10	70620-004765	25AP50420060	Clamp	233.00
11	70620-012915	27AP25050403	Dirt Collector	485.00
12	70620-012916	27AP50022250250	Screen Seal	17.00
13	70620-002830	27AP50520825	80 Mesh Screen	491.00
	70620-002810	27AP50520822	120 Mesh Screen	491.00
	70620-017787	27AP50520823	150 Mesh Screen	491.00
	70620-013015	27AP50520821	200 Mesh Screen	491.00
14	70620-012914	27AP25050402	Dirt Collector Axis	42.00
15	70620-006720	27AP50031403	O-Ring 14 x 3	4.50
16	70620-010430	27AP22020065	Cover Assembly	858.00
17	76000-003400	27AP50540017	1" Ball Valve	65.00
18	70620-012917	27AP25070409	Clamping Disc	16.00
19	70620-012918	27AP25300409	Handle	52.00
20	70620-004517	25AP50401012	Bolt 6.3 x 38	3.30





# FILTERS



## SCRENGUARD™ AUTOMATIC SCREEN FILTER PARTS

4", 6" and 8" Sizes



Item Number	Model Number	Description	Price Each
71965-000256	2SGPAHWASHNUTKIT	SGV2P 10mm Washers and Nuts Kit 12 EACH 4" - 10"	9.60
71965-000260	2SGPAHM6BOLTKIT	SGV2P M6 Bolt and Washer Kit 4" - 10"	5.10
71965-000261	2SGPAHAQTIVASSMBDC	SGV2P Aquative Assembly DCL w/Fittings	43.00
71965-000266	2SGPAHTURBEARING	SGV2P Turbine Brass Bearing 4" - 10"	21.00
71965-000267	2SGPAHCENTRING	SGV2P Centering Ring w/Bearing 4" - 10"	33.00
71965-000300	2SGPAHSCR4&6-150	SGV2P Fine Screen Assembly 4"-6" 150 Mesh SS	1,659.00
71965-000301	2SGPAHSCR4&6-120	SGV2P Fine Screen Assembly 4"-6" 120 Mesh SS	1,659.00
71965-000302	2SGPAHSCR4&6-080	SGV2P Fine Screen Assembly 4"-6" 080 Mesh SS	1,659.00
71965-000303	2SGPAHSCR810-150	SGV2P Fine Screen Assembly 8"-10" 150 Mesh SS	2,512.00
71965-000304	2SGPAHSCR810-120	SGV2P Fine Screen Assembly 8"-10" 120 Mesh SS	2,512.00
71965-000305	2SGPAHSCR810-080	SGV2P Fine Screen Assembly 8"-10" 80 Mesh SS	2,512.00
71965-000400	2SGPAHFLSHASSM46	SGV2P Flush Assembly 4" - 6"	935.00
71965-000401	2SGPAHCOURSESCRN	SGV2P Course Screen 4" - 10"	544.00
71965-000402	2SGPAHPISTONCOVER	SGV2P Piston Assembly 4" - 10"	468.00
71965-000403	2SGPAHCOVER	SGV2P Filter Cover 4" - 10"	48.00
71965-000404	2SGPAHCONTROLASEMB	SGV2P Electric Controller Assembly 4" - 10" AQTV DCL - Bluetooth	709.00
71965-000405	2SGPAHPRGAUGASMBLY	SGV2P Pressure Guage Assembly 4" - 10"	102.00
71965-000410	2SGPAHSUCASMBLY46	SGV2P Suction Assembly 4" - 6"	780.00
71965-000411	2SGPAHTURBINEASSM	SGV2P Turbine Assembly 4"-10"	77.00
71965-000412	2SGPAHNOZZLEASMBLY	SGV2P Nozzle Assembly	26.00
71965-000413	2SGPAHRODASSEMBLY	SGV2P Rod Assembly for SGH Piston 4" - 10"	205.00
71965-000414	2SGPAHRELAYASEMB	SGV2P Hydraulic Relay Assembly 4" - 10"	155.00
71965-000415	2SGPAHFLSHASSM810	SGV2P Flush Assembly 8" - 10"	1,247.00
71965-000416	2SGPAHSUCASMBLY810	SGV2P Suction Assembly 8" - 10"	1,247.00
71965-000450	2SGPAHO-RINGKIT	SGV2P Complete O-Ring & Gasket Kit 4" - 10"	52.00
74310-003000	2SGPAHAFC1CONTROL	SGV2P AFC1 Automatic Filter Controller - Bluetooth	1,426.00
71680-000800	2SGPAHRELAY25300	SGV2P 25300 PLASTIC RELAY 3/8" 4" - 10"	128.00

# VALVES

## SERIES 350 BACKFLUSH VALVES

(N)

Item Number	Model Number	Valve Size	Valve Application	Connections			Price Each
				In	Out	Flush	
71000-012780	61BFG2TP	2"	2" Compact LP Disc-Kleen and 2" LP Disc-Kleen	2" GR	2" TH	2" TH	964.00
71000-013360	61BFG3PB	3"	3" LP Disc-Kleen and Angle Apollo Disc-Kleen	3" GR	3" GR	2" TH	1,022.00
71000-013430	61BFG4GPB	4"	48" AGF Media & Single Chamber	4" GR	4" GR	4" GR	1,283.00
71000-013440	61BFG4GPGB-DM	4"	Apollo Disc-Kleen	4" GR	4" GR	3" TH	1,626.00



## PLASLITE® BACKFLUSH VALVES

(N)

Item Number	Model Number	Valve Size	Valve Application	Connections			Price Each
				In	Out	Flush	
71600-006750	61BFG3PSK	3"	3" Disc-Kleen Batteries	3" GR	3" GR	2" TH	1,106.00
71600-006720	61BFG3GP	3"	3" Angle Filter Batteries and 30" Epoxy Media	3" GR	3" GR	2" TH	1,033.00
71600-006865	61BFG4GP	4"	48" AGF	4" GR	4" GR	4" GR	1,843.00
71600-006855	61BFG4GPG-DM	4"	Apollo Disc-Kleen	4" GR	4" GR	3" TH	1,843.00



## IRON BACKFLUSH VALVES

(N)

Item Number	Model Number	Valve Size	Valve Application	Connections			Price Each
				In	Out	Flush	
71600-006516	61BFG2GY98ANGLBLUE	2"	16", 20" AND 24" Sandstorm (Angle Flow)	2" GR	2" TH	2" GR	691.00
71600-006670	61BFG3GBLU	3"	30" and 36" Sandstorm	3" GR	3" GR	2" TH	763.00
71600-006660	61BFG4GBLU	4"	48" Sandstorm	4" GR	4" GR	3" GR	1,396.00



GR = Grooved or Victaulic connection  
TH = Threaded connection

## BACKFLUSH VALVE REPLACEMENT PARTS

Visit [www.netafimusa.com](http://www.netafimusa.com) for backflush valve replacement parts ordering information

# VALVES

## FITTINGS

(N)

Size	Item Number	Model Number	Description	Price Each
2"	78201-003280	44SNIP2X4	Steel Nipple Threaded 4" Length	26.00
2"	78201-003700	44SNIP2VT	Grooved x Threaded Adapter	52.00
3"	78201-009000	44VIC/FL3	Grooved x Flanged Metal Split Adapter	173.00
4"	78201-009020	44VIC/FL4		223.00
6"	78201-009040	44VIC/FL6		304.00
8"	78201-009060	44VIC/FL8		440.00
10"	78201-009080	44VIC/FL10		795.00
12"	78201-009100	44VIC/FL12		2,572.00
3"	70040-009820	44SEALSA03	Gasket used with 44VIC/FL3	40.00
4"	78201-009300	44SEALSA04	Gasket used with 44VIC/FL4	39.00
6"	78201-009320	44SEALSA06	Gasket used with 44VIC/FL6	82.00
8"	78201-009330	44SEALSA08	Gasket used with 44VIC/FL8	96.00
10"	78201-009340	44SEALSA10	Gasket used with 44VIC/FL10	100.00
12"	78201-009380	44SEALSA12	Gasket used with 44VIC/FL12	107.00
2"	77350-017700	44NIPVS02	Grooved x Slip PVC Nipple 4" Length	25.00
3"	77350-017710	44NIPVS03	Grooved x Slip PVC Nipple 4" Length	45.00
4"	77350-017720	44NIPVS04	Grooved x Slip PVC Nipple 4" Length	52.00
6"	77350-017730	44NIPVS06	Grooved x Slip PVC Nipple 6" Length	116.00
8"	77350-017740	44NIPVS08	Grooved x Slip PVC Nipple 8" Length	208.00
10"	77350-017750	44NIPVS10	Grooved x Slip PVC Nipple 12" Length	208.00
12"	77350-017760	44NIPVS12	Grooved x Slip PVC Nipple 15" Length	211.00
2"	70040-002900	44VIC02	Grooved Coupling with Seal	50.00
3"	70040-003000	44VIC03		61.00
4"	70040-003100	44VIC04		82.00
6"	70040-003200	44VIC06		146.00
8"	70040-003300	44VIC08		225.00
10"	70040-003400	44VIC10		516.00
12"	70040-003500	44VIC12	580.00	
2"	78201-008250	44SEAL02	Grooved Coupling Seal	26.00
3"	78201-008260	44SEAL03		33.00
4"	78201-008270	44SEAL04		40.00
6"	78201-008280	44SEAL06		55.00
8"	78201-008290	44SEAL08		74.00
10"	78201-008295	44SEAL10		95.00
12"	70040-011300	44SEAL12	135.00	



## ACCESSORIES

(N)

Item Number	Model Number	Description	Price Each
00110-001750	6809020-30	Pressure Gauge 0-30 psi	91.00
00110-001790	6809020-100	Pressure Gauge 0-100 psi	91.00
00110-001810	6809020-160	Pressure Gauge 0-160 psi	91.00
40001-000400	15CONT-8	8 mm Control Tubing (1000' roll)	220.00
40001-000383	15CONT8C100	8 mm Control Tubing (100' roll)	33.30
40001-000381	15CONT8C10	8 mm Control Tubing (10' roll)	12.40



# VALVES



# VALVES



Commonly Ordered Valves .....	120
Ordering Guidelines .....	122
Series 75 Nylon Valves .....	123
Series 80 PVC Valves .....	123
Series 80 Nylon Control Valves .....	124
Iron Flanged Valves .....	125
Iron Grooved Valves .....	126
Iron Threaded Valves .....	127
Angle Valves .....	128
Backflush Valves .....	129
Solenoids and Solenoid Components .....	130
Battery Operated Control 3-Way Valves .....	131
Pilots, Relays and Pilot Components .....	132
Diaphragms and Diaphragm Components .....	133
Accessories .....	134
Quick Coupling Valve.....	134
Plastic and Brass Prestalock Fittings .....	135

# VALVES

## QUICK SELECTION GUIDE FOR COMMONLY ORDERED NETAFIM USA VALVES

Netafim USA has the widest variety of valves and valve functions in the industry to fit numerous applications. Some types of valves are ordered more frequently than others. To simplify the selection and ordering process, the most commonly ordered valves are listed on the next two pages.



**NYLON - THREADED**



**IRON - THREADED**



**IRON - GROOVED**



**IRON - FLANGED**

### BASIC VALVES

(N)

Item Number	Model Number	Size	Material	Connection	Diaphragm
71610-001100	61B1PL-T	1"	Nylon	Threaded	High Pressure
71610-001620	61B2IT-HP	2"	Iron	Threaded	High Pressure
71610-001630	61B2IT-LP	2"	Iron	Threaded	Low Pressure
71600-007520	61B323IG-HP	323	Iron	Grooved	High Pressure
71610-002560	61B323IT-LP	323	Iron	Threaded	Low Pressure
71610-004030	61B4IF-LP	4"	Iron	Flanged	Low Pressure

Low Pressure Diaphragm: recommended if dynamic pressure gets below 30 psi.

High Pressure Diaphragm: recommended if dynamic pressure is always above 30 psi.



**NYLON - THREADED**



**PVC - SLIP**

### MANUAL VALVES

(N)

Item Number	Model Number	Size	Material	Connection	Diaphragm
71610-005700	61M2PL	2"	Nylon	Threaded	High Pressure
71610-017640	61M3PLS	3"	PVC	Slip	High Pressure

### ELECTRIC 3-WAY VALVES

(N)

Item Number	Model Number	Size	Material	Connection
71610-014600	61EL2PL	2"	Nylon	Threaded
71610-015100	61EL323PL	323	Nylon	Threaded



### SERIES 80 ELECTRIC 2-WAY VALVES

(N)

Item Number	Model Number	Size	Material	Connection
71640-007355	61ET.75GH2	3/4"	Nylon	Threaded
71640-007406	61ET1GH2	1"	Nylon	Threaded
71640-007425	61ET1.5GH2	1.5"	Nylon	Threaded
71610-014528	61ET2GH2	2"	Nylon	Threaded





# VALVES

## QUICK SELECTION GUIDE FOR COMMONLY ORDERED NETAFIM USA VALVES



**NYLON - THREADED**



**PVC-SLIP**



**PVC - THREADED**

### PRESSURE REDUCING VALVES

(N)

Item Number	Model Number	Size	Material	Connection	Spring Color
71610-016050	61PR1.5PL-G	1.5"	Nylon	Threaded	Green
71610-016000	61PR1.5PL-Y	1.5"	Nylon	Threaded	Yellow
71610-016110	61PR2PL-G	2"	Nylon	Threaded	Green
71610-016100	61PR2PL-Y	2"	Nylon	Threaded	Yellow
71610-016500	61PR323PL-G	323	Nylon	Threaded	Green
71610-016510	61PR323PL-Y	323	Nylon	Threaded	Yellow
71600-012370	61PR3PLS-Y	3"	PVC	Slip	Yellow
71610-016610	61PR3PLT-Y	3"	PVC	Threaded	Yellow
71600-006160	61PR4PLS-G	4"	PVC	Slip	Green
71600-006155	61PR4PLS-Y	4"	PVC	Slip	Yellow
71600-006284	61PR6PLS-Y	6"	PVC	Slip	Yellow

Yellow Pilot Spring: 7-30 psi

Green Pilot Spring: 14-65 psi



**NYLON - THREADED**



**PVC - SLIP**



**IRON - FLANGED**

### PRESSURE REDUCING ELECTRIC 3-WAY VALVES

(N)

Item Number	Model Number	Size	Material	Connection	Spring Color
71610-016860	61PREL2PL-Y	2"	Nylon	Threaded	Yellow
71610-016900	61PREL323PL-Y	323	Nylon	Threaded	Yellow
71640-005140	61PREL3PLS-Y	3"	PVC	Slip	Yellow
71640-005560	61PREL4PLS-Y	4"	PVC	Slip	Yellow
71610-017705	61PREL4IF-HP-Y	4"	Iron	Flanged	Yellow
71610-017954	61PREL6IF-HP-Y	6"	Iron	Flanged	Yellow

Yellow Pilot Spring: 7-30 psi up to 4" valves, 38-45 psi for 6" valves.

# VALVES

## ORDERING GUIDELINES

Please provide the following information when calling for assistance.

- Flow Rate
- Inlet Pressure
- Desired Outlet Pressure
- Topographical Details
- Pump Curve, Type, etc.

## HOW TO DETERMINE THE CORRECT VALVE MODEL NUMBER

- Select Function
- Select Diameter
- Select Required Material and End Connection
- Select Diaphragm based on Upstream Pressure
- Select Spring Color (for Pilot Operated Valves Only)

61	Function Code	Diameter	Material & End Connection	Diaphragm	Spring Color
<p><b>B</b> Basic</p> <p><b>M</b> Manual</p> <p><b>EL</b> Electric 3-Way</p> <p><b>MEL</b> Manual Electric 3-Way</p> <p><b>TH</b> Basic Throttling</p> <p><b>MTH</b> Manual Throttling</p> <p><b>ELT</b> Electric 3-Way Throttling</p> <p><b>MELT</b> Manual Electric Throttling</p> <p><b>ELC</b> Electric 3-Way with Installed Controller</p> <p><b>PR</b> Pressure Reducing 3-Way</p> <p><b>2PR</b> Pressure Reducing 2-Way</p> <p><b>PREL</b> Pressure Reducing Electric 3-Way</p> <p><b>PRRC</b> Pressure Reducing Remote Control 3-Way</p> <p><b>PS</b> Pressure Sustaining 3-Way</p> <p><b>2PS</b> Pressure Sustaining 2-Way</p> <p><b>PSEL</b> Pressure Sustaining Electric 3-Way</p> <p><b>PSNO</b> Pressure Sustaining 3-Way Normally Open</p> <p><b>PRPS</b> Pressure Reducing/Pressure Sustaining 3-Way</p> <p><b>QR</b> Quick Reacting Pressure Relief</p> <p><b>QRL</b> Pressure Sustaining Relief</p> <p><b>RC</b> Hydraulic Remote Control</p>	<p><b>Nylon:</b> 1", 1 1/2", 2", 323 343, 4", 646, 6", 868</p> <p><b>PVC:</b> 3", 4", 6"</p> <p><b>Iron Flanged:</b> 3", 4", 4" Angle, 6", 6" Angle, 868, 8", 10", 12"</p> <p><b>Iron Grooved:</b> 2", 323, 3", 3" Angle, 4", 6"</p> <p><b>Iron Threaded:</b> 1", 1 1/2", 2", 2" Angle, 323, 3", 3" Angle</p>	<p><b>AN</b> Angle</p> <p><b>PL</b> Nylon Threaded</p> <p><b>PLT</b> PVC Threaded</p> <p><b>PLS</b> PVC Slip</p> <p><b>NF</b> Nylon Flanged</p> <p><b>NG</b> Nylon Grooved</p> <p><b>IT</b> Iron Threaded</p> <p><b>IF</b> Iron Flanged</p> <p><b>IG</b> Iron Grooved</p>	<p><b>IRON (1"-24")</b></p> <p><b>LP (Low Pressure)</b> Used when dynamic pressure can get below 30 psi</p> <p><b>HP (High Pressure)</b> Used when dynamic pressure is always above 30 psi</p> <p><b>NOTE:</b> Diaphragms for very low pressures (below 15 psi) are also available</p>	<p><b>SPRING SELECTION (STANDARD PILOTS)</b></p> <p><b>1 - 4" Valves</b></p> <p><b>Y</b> Yellow (4-40 psi)</p> <p><b>G</b> Green (7-65 psi)</p> <p><b>R</b> Red (15-110 psi)</p> <p><b>6" &amp; Larger Valves</b></p> <p><b>Y</b> Yellow (4-90 psi)</p> <p><b>G</b> Green (7-150 psi)</p> <p><b>R</b> Red (9-220 psi)</p>	

**NOTE:** All Electric Valves are standard with 24VAC Solenoids. Other voltages available by special order.

# VALVES



**ORDERING EXAMPLE**  
**MODEL NUMBER: 61PR2PL-G**

61	PR	2	PL	G
	Function Code	Diameter	Suffix	Spring Color

## SERIES 75 NYLON VALVES

Suffix Codes - PL, PLT, PLS, PBI

(N)

Valve Function	Function Code	1" Nylon	1 1/2" Nylon	2" Nylon	323 Nylon	3" Nylon	343 Nylon	4" Nylon Vitaulic	4" Nylon Flanged	646 Nylon	6" Nylon	868 Nylon
Basic	B	80.00	150.00	168.00	269.00	333.00	614.00	709.00	790.00	1,023.00	2,041.00	2,550.00
Manual	M	158.00	228.00	246.00	344.00	409.00	685.00	779.00	860.00	1,094.00	2,112.00	2,620.00
Electric 3-Way (24VAC)	EL	273.00	341.00	361.00	462.00	526.00	814.00	907.00	988.00	1,223.00	2,240.00	2,748.00
Manual Electric	MEL	348.00	419.00	435.00	539.00	603.00	860.00	953.00	1,047.00	1,281.00	2,299.00	2,806.00
Hydraulic Remote Control	RC	310.00	380.00	397.00	498.00	562.00	842.00	943.00	1,030.00	1,264.00	2,282.00	2,789.00
Pressure Reducing	PR	374.00	439.00	458.00	554.00	618.00	860.00	953.00	1,047.00	1,281.00	2,387.00	2,776.00
Pressure Reducing Electric	PREL	454.00	515.00	547.00	667.00	731.00	995.00	1,094.00	1,182.00	1,416.00	2,521.00	2,876.00
Pressure Reducing Remote Control	PRRC	611.00	677.00	696.00	790.00	855.00	1,129.00	1,228.00	1,316.00	1,549.00	2,621.00	3,130.00
Pressure Reducing/Sustaining	PRPS	705.00	771.00	789.00	887.00	950.00	1,246.00	1,345.00	1,433.00	1,666.00	2,738.00	3,126.00
Pressure Sustaining	PS	426.00	494.00	515.00	614.00	679.00	860.00	953.00	1,047.00	1,281.00	2,353.00	2,860.00
Pressure Sustaining Electric	PSEL	516.00	585.00	603.00	699.00	763.00	995.00	1,094.00	1,182.00	1,416.00	2,487.00	2,995.00
Pressure Sustaining Electric N.O.	PSNO	696.00	766.00	782.00	883.00	947.00	1,258.00	1,357.00	1,445.00	1,678.00	2,750.00	3,247.00

All Electric Valves are standard with 24VAC Solenoid. Other voltages available by special order.

## SERIES 90 PVC VALVES

Suffix Codes - PL, PLT, PLS, PBI

(N)

Valve Function	Function Code	3" PVC Threaded	3" PVC Slip	4" PVC Slip	6" PVC Slip
Basic	B	575.00	538.00	744.00	2,107.00
Manual	M	652.00	612.00	822.00	2,259.00
Electric 3-Way (24VAC)	EL	768.00	728.00	934.00	2,451.00
Manual Electric	MEL	841.00	807.00	1,012.00	2,564.00
Hydraulic Remote Control	RC	808.00	767.00	976.00	2,564.00
Pressure Reducing	PR	852.00	812.00	1,015.00	2,372.00
Pressure Reducing Electric	PREL	963.00	921.00	1,119.00	2,468.00
Pressure Reducing Remote Control	PRRC	1,089.00	1,049.00	1,251.00	2,608.00
Pressure Reducing/Sustaining	PRPS	1,182.00	1,144.00	1,316.00	2,702.00
Pressure Sustaining	PS	922.00	882.00	1,091.00	2,452.00
Pressure Sustaining Electric	PSEL	1,011.00	963.00	1,169.00	2,617.00
Pressure Sustaining Electric N.O.	PSNO	1,188.00	1,150.00	1,357.00	2,728.00

All Electric Valves are standard with 24VAC Solenoid. Other voltages available by special order.

# VALVES



3/4" OR 1" GLOBE



1 1/2" OR 2" ANGLE



1 1/2" OR 2" GLOBE



2" OR 3" QR ANGLE



PS ANGLE



PREL GLOBE

## SERIES 80 NYLON CONTROL 2-WAY VALVES <sup>(N)</sup>

Item Number	Model Number	Size	Voltage	Max Flow Rates(GPM)	Price Each
71640-007355	61ET.75GH2		24VAC	50	65.00
71610-013956	61ET.75GH2-24DC	3/4"	24VDC	50	65.00
71640-007357	61ET.75GH2-12DC	Globe	12VDC	50	80.00
71640-007356	61ET.75GH2-L		12VDCL	50	80.00
71640-007358	61ET.75GH2-120		120VAC	50	111.00
71640-007406	61ET1GH2		24VAC	50	65.00
71610-013966	61ET1GH2-24DC	1"	24VDC	50	65.00
71610-014523	61ET1GH2-12DC	Globe	12VDC	50	80.00
71610-013967	61ET1GH2-L		12VDCL	50	80.00
71610-013968	61ET1GH2-120		120VAC	50	111.00
71640-007425	61ET1.5GH2		24VAC	90	155.00
71610-014064	61ET1.5GH2-24DC	1 1/2"	24VDC	90	198.00
71610-014067	61ET1.5GH2-12DC	Globe	12VDC	90	214.00
71610-014061	61ET1.5GH2-L		12VDCL	90	214.00
71610-014063	61ET1.5GH2-120		120VAC	90	245.00
71640-007426	61ET1.5GH2-AN		24VAC	90	208.00
-	61ET1.5GH2-AN-24DC	1 1/2"	24VDC	90	250.00
-	61ET1.5GH2-AN-12DC	Angle	12VDC	90	267.00
71610-014066	61ET1.5GH2-AN-L		12VDCL	90	267.00
-	61ET1.5GH2-AN-120		120VAC	90	296.00
71610-014528	61ET2GH2		24VAC	175	208.00
71610-014518	61ET2GH2-24DC	2"	24VDC	175	250.00
71610-014524	61ET2GH2-12DC	Globe	12VDC	175	267.00
71610-014525	61ET2GH2-L		12VDCL	175	267.00
71610-013971	61ET2GH2-120		120VAC	175	296.00
71640-007667	61ET2GH2-AN		24VAC	175	229.00
71610-014517	61ET2GH2-AN-24DC		24VDC	175	272.00
-	61ET2GH2-AN-12DC	2"	12VDC	175	288.00
-	61ET2GH2-AN-L	Angle	12VDCL	175	288.00
-	61ET2GH2-AN-120		120VAC	175	317.00

## SERIES 80 NYLON CONTROL 3-WAY VALVES <sup>(N)</sup>

Model Number	Size	Function	Price Each
61ELTH1.5GH3		EL	341.00
61PRTH1.5GH3-*	1 1/2"	PR	439.00
61PRELTH1.5GH3-*	Globe	PREL	515.00
61PSTH1.5GH3-*		PS	494.00
61PSELTH1.5GH3-*		PSEL	585.00
61ELTH1.5GH3AN		EL	341.00
61PRTH1.5GH3AN-*	1 1/2"	PR	439.00
61PRELTH1.5GH3AN-*	Angle	PREL	515.00
61PSTH1.5GH3AN-*		PS	494.00
61PSELTH1.5GH3AN-*		PSEL	585.00
61ELTH2GH3		EL	361.00
61PRTH2GH3-*	2"	PR	458.00
61PRELTH2GH3-*	Globe	PREL	576.00
61PSTH2GH3-*		PS	515.00
61PSELTH2GH3-*		PSEL	603.00
61ELTH2GH3AN		EL	361.00
61PRTH2GH3AN-*	2"	PR	458.00
61PRELTH2GH3AN-*	Angle	PREL	576.00
61PSTH2GH3AN-*		PS	515.00
61PSELTH2GH3AN-*		PSEL	603.00

Substitute \* with proper Spring Color.  
Refer to Valve Ordering Guidelines for Spring Colors and Function Code identification.  
Electric Valves standard with 24VAC - other voltages available.



## SERIES 80 NYLON QR VALVES <sup>(N)</sup>

Item Number	Model Number	Size	Price Each
71600-000052	61QR2PLS80-AN-Y	2" Angle	641.00
71600-000029	61QR3PLS80-AN-Y	3" Angle	792.00

## SERIES 80 CONTROL 2-WAY VALVES WITH CONTROLLER <sup>(N)</sup>

Includes Battery Operated Aqua Pro Single Valve Controller and 12VDC Latching Solenoid

Item Number	Model Number	Size	Price Each
71610-013955	61ET.75GH2-L-CONT	3/4" Globe	235.00
71610-013969	61ET1GH2-L-CONT	1" Globe	235.00
71610-014062	61ET1.5GH2-L-CONT	1 1/2" Globe	368.00
-	61ET1.5GH2-AN-L-CONT	1 1/2" Angle	420.00
71610-014526	61ET2GH2-L-CONT	2" Globe	420.00
71610-014519	61ET2GH2-AN-L-CONT	2" Angle	443.00
37000-002000	AP-CONTROLLER-P3	Controller	112.00



# VALVES



**ORDERING EXAMPLE**  
**MODEL NUMBER: 61PS4IF-LP-G**

61	PS	4	IF	- LP	- G
	Function Code	Diameter	Suffix	Diaphragm	Spring Color

## IRON FLANGED VALVES

Suffix Code - IF



Valve Function	Function Code	3"	4"	6"	868	8"	10"	12"
Basic	B	698.00	1,064.00	2,542.00	3,627.00	4,731.00	6,317.00	12,513.00
Manual	M	772.00	1,140.00	2,696.00	3,779.00	4,884.00	6,470.00	12,663.00
Electric 3-Way (24VAC)	EL	888.00	1,257.00	2,884.00	3,967.00	5,072.00	6,657.00	12,854.00
Manual Electric	MEL	961.00	1,332.00	2,998.00	4,081.00	5,187.00	6,772.00	12,967.00
Hydraulic Remote Control	RC	924.00	1,296.00	2,998.00	4,081.00	5,187.00	6,772.00	12,967.00
Pressure Reducing	PR	963.00	1,319.00	3,521.00	4,598.00	5,708.00	7,291.00	13,482.00
Pressure Reducing Electric	PREL	1,185.00	1,541.00	3,920.00	4,999.00	6,101.00	7,689.00	13,881.00
Pressure Reducing Remote Control	PRRC	1,197.00	1,552.00	3,742.00	4,831.00	5,925.00	7,514.00	13,704.00
Pressure Reducing and Sustaining	PRPS	1,147.00	1,501.00	3,742.00	4,825.00	5,931.00	7,514.00	13,704.00
Pressure Sustaining	PS	1,040.00	1,408.00	3,648.00	4,732.00	5,838.00	7,424.00	13,619.00
Pressure Sustaining Electric	PSEL	1,228.00	1,596.00	4,057.00	5,145.00	6,248.00	7,835.00	14,030.00
Pressure Sustaining Electric N.O.	PSNO	1,304.00	1,673.00	4,694.00	5,781.00	6,884.00	8,472.00	14,667.00
Quick Reacting Pressure Relief	QR	2,017.00	2,384.00	4,968.00	6,053.00	7,159.00	8,742.00	14,938.00
2-Way Pressure Reducing	2PR	1,334.00	1,689.00	3,772.00	4,853.00	5,956.00	7,541.00	13,736.00
2-Way Pressure Sustaining	2PS	1,605.00	1,976.00	3,907.00	4,993.00	6,095.00	7,682.00	13,877.00

**NOTE:** Copper Tubing and Prestolock Fittings are available on all valves - please call Netafim USA Customer Service for pricing.  
 All Electric Valves are standard with 24VAC Solenoid. Other voltages available by special order.  
 4" and smaller valves are standard with plastic pilots and plastic base solenoids.  
 6" and larger valves are standard with metal pilots and metal base solenoids (some exceptions apply).

### ADDITIONAL FUNCTIONS

Valve Function
Flow Control
Excessive Flow Shut-off
Deep Well Control
Surge Anticipating
Float Control
Differential Float Control
Altitude Control
Pump Control

For additional functions, please call Netafim USA Customer Service.

### ADDITIONAL SIZES

Valve Size
14"
16"
20"
24"

# VALVES



**ORDERING EXAMPLE**  
**MODEL NUMBER: 61PREL3IG-HP-R**

<b>61</b>	<b>PREL</b>	<b>3</b>	<b>IG</b>	<b>- HP</b>	<b>- R</b>
	<b>Function Code</b>	<b>Diameter</b>	<b>Suffix</b>	<b>Diaphragm</b>	<b>Spring Color</b>

## IRON GROOVED VALVES

Suffix Code - IG

(N)

Valve Function	Function Code	2"	323	3"	4"	6"
Basic	B	224.00	311.00	673.00	1,020.00	2,470.00
Manual	M	298.00	386.00	749.00	1,097.00	2,622.00
Electric 3-Way (24VAC)	EL	415.00	501.00	864.00	1,211.00	2,813.00
Manual Electric	MEL	489.00	577.00	941.00	1,289.00	2,928.00
Hydraulic Remote Control	RC	453.00	539.00	901.00	1,248.00	2,928.00
Pressure Reducing	PR	509.00	591.00	944.00	1,301.00	3,454.00
Pressure Reducing Electric	PREL	728.00	812.00	1,176.00	1,519.00	3,847.00
Pressure Reducing Remote Control	PRRC	742.00	828.00	1,190.00	1,531.00	3,674.00
Pressure Reducing and Sustaining	PRPS	687.00	773.00	1,137.00	1,481.00	3,674.00
Pressure Sustaining	PS	567.00	655.00	1,017.00	1,363.00	3,580.00
Pressure Sustaining Electric	PSEL	757.00	842.00	1,206.00	1,552.00	3,986.00
Pressure Sustaining Electric N.O.	PSNO	832.00	917.00	1,281.00	1,628.00	4,624.00
Quick Reacting Pressure Relief	QR	1,105.00	1,194.00	1,992.00	2,340.00	4,898.00
2-Way Pressure Reducing	2PR	874.00	959.00	1,323.00	1,666.00	3,703.00
2-Way Pressure Sustaining	2PS	1,135.00	1,222.00	1,584.00	1,933.00	3,837.00

**NOTE:** Copper Tubing and Prestolock Fittings are available on all valves - please call Netafim USA Customer Service for pricing.

All Electric Valves are standard with 24VAC Solenoid. Other voltages available by special order.

4" and smaller valves are standard with plastic pilots and plastic base solenoids.

6" valves are standard with metal pilots and metal base solenoids (some exceptions apply).

## ADDITIONAL FUNCTIONS

Valve Function
Flow Control
Excessive Flow Shut-off
Deep Well Control
Surge Anticipating
Float Control
Differential Float Control
Altitude Control
Pump Control

For additional functions, please call Netafim USA Customer Service.

# VALVES



**ORDERING EXAMPLE**  
**MODEL NUMBER: 61MEL2IT-HP**

61	MEL	2	IT	- HP
	Function Code	Diameter	Suffix	Diaphragm

## IRON THREADED VALVES

Suffix Code - IT

(N)

Valve Function	Function Code	1"	1 1/2"	2"	3/2"	3"
Basic	B	141.00	183.00	224.00	311.00	673.00
Manual	M	216.00	258.00	298.00	386.00	749.00
Electric 3-Way (24VAC)	EL	332.00	373.00	415.00	501.00	864.00
Manual Electric	MEL	408.00	450.00	489.00	577.00	941.00
Hydraulic Remote Control	RC	370.00	412.00	453.00	539.00	901.00
Pressure Reducing	PR	424.00	465.00	509.00	591.00	944.00
Pressure Reducing Electric	PREL	648.00	686.00	728.00	812.00	1,176.00
Pressure Reducing Remote Control	PRRC	660.00	701.00	742.00	828.00	1,190.00
Pressure Reducing and Sustaining	PRPS	608.00	650.00	687.00	773.00	1,137.00
Pressure Sustaining	PS	483.00	524.00	567.00	655.00	1,017.00
Pressure Sustaining Electric	PSEL	673.00	715.00	757.00	842.00	1,206.00
2-Way Pressure Reducing	2PR	794.00	834.00	874.00	959.00	1,323.00
2-Way Pressure Sustaining	2PS	1,052.00	1,093.00	1,135.00	1,222.00	1,584.00

**NOTE:** Copper Tubing and Prestolock Fittings are available on all valves - please call Netafim USA Customer Service for pricing.  
 All Electric Valves are standard with 24VAC Solenoid. Other voltages available by special order.  
 3" and smaller valves are standard with plastic pilots and plastic base solenoids (some exceptions apply).

## ADDITIONAL FUNCTIONS

### Valve Function

Flow Control

Excessive Flow Shut-off

Deep Well Control

Surge Anticipating

Float Control

Differential Float Control

Altitude Control

Pump Control

For additional functions, please call Netafim USA Customer Service.

# VALVES



**ORDERING EXAMPLE**  
**MODEL NUMBER: 61PS3ITAN-HP-G**

61	PS	3	ITAN	- HP	- G
	Function Code	Diameter	Suffix	Diaphragm	Spring Color

## ANGLE VALVES

Suffix Code - AN

(N)

Valve Function	Material	Iron	Iron	Iron	Iron	Iron
	Function Code	2" Threaded	3" Threaded	3" Grooved	4" Flanged	6" Flanged
Basic	B	275.00	551.00	673.00	1,342.00	2,652.00
Manual	M	349.00	627.00	749.00	1,417.00	2,802.00
Electric 3-Way (24VAC)	EL	458.00	741.00	865.00	1,532.00	2,991.00
Manual Electric	MEL	532.00	815.00	941.00	1,610.00	3,107.00
Pressure Reducing	PR	546.00	823.00	942.00	1,613.00	3,551.00
Pressure Reducing Electric	PREL	758.00	1,044.00	1,159.00	1,828.00	3,948.00
Pressure Reducing and Sustaining	PRPS	718.00	1,006.00	1,122.00	1,792.00	3,695.00
Pressure Sustaining	PS	604.00	894.00	1,017.00	1,684.00	3,682.00
Pressure Sustaining Electric	PSEL	808.00	1,084.00	1,206.00	1,876.00	4,091.00
Pressure Sustaining Relief (<100 psi)	QRL	678.00	969.00	1,092.00	1,759.00	3,756.00

**NOTE:** Copper Tubing and Prestolock Fittings are available on all valves - please call Netafim USA Customer Service for pricing.

All Electric Valves are standard with 24VAC Solenoid. Other voltages available by special order.

4" and smaller valves are standard with plastic pilots and plastic base solenoids.

6" and larger valves are standard with metal pilots and metal base solenoids (some exceptions apply).

## QUICK REACTING PRESSURE RELIEF VALVES

(N)

Item Number	Model Number	Description	Price Each
71600-000104	61QR2ITB-AN-G	2" Iron Threaded Angle - Green	1,238.00
71600-000111	61QR2ITB-AN-R	2" Iron Threaded Angle - Red	1,238.00
71600-000105	61QR3ITB-AN-G	3" Iron Threaded Angle - Green	1,431.00
71600-000103	61QR4IFB-AN-G	4" Iron Flanged Angle - Green	2,663.00



# VALVES

## NYLON ELECTRIC THROTTLING PBI 2-WAY VALVES <sup>(N)</sup>

Item Number	Model Number	Size	Voltage	Case Qty	Price Per Case
71610-014015	61ET1PBI-BC	1"	24VAC	20	923.00
71610-014040	61ET1.5PBI2-BC	1 1/2"	24VAC	8	1,119.00
71610-014507	61ET2PBI2-BC	2"	24VAC	8	1,239.00
71610-015202	61ET323PBI2-BC	323	24VAC	4	1,338.00



**NOTE:** Sold in Case Quantities and 24VAC Only.  
For other voltages (12VDC, 12VDCL) and individual valve quantities, order the Series 80 Nylon Control Valves.

## AQUA PRO SINGLE VALVE CONTROLLER

Item Number	Model Number	Price Each
37000-002000	AP-CONTROLLER-P3	112.00 <sup>(N)</sup>



## SERIES 350 BACKFLUSH VALVES <sup>(N)</sup>

Item Number	Model Number	Valve Size	Valve Application	Connections			Price Each
				In	Out	Flush	
71000-012780	61BFG2TP	2"	2" Compact LP Disc-Kleen and 2" LP Disc-Kleen	2" GR	2" TH	2" TH	964.00
71000-013360	61BFG3PB	3"	3" LP Disc-Kleen and Angle Apollo Disc-Kleen	3" GR	3" GR	2" TH	1,022.00
71000-013430	61BFG4GPB	4"	48" AGF Media & Single Chamber	4" GR	4" GR	4" GR	1,283.00
71000-013440	61BFG4GPGB-DM	4"	Apollo Disc-Kleen	4" GR	4" GR	3" TH	1,626.00



## PLASLITE® BACKFLUSH VALVES <sup>(N)</sup>

Item Number	Model Number	Valve Size	Valve Application	Connections			Price Each
				In	Out	Flush	
71600-006750	61BFG3PSK	3"	3" Disc-Kleen Batteries	3" GR	3" GR	2" TH	1,106.00
71600-006720	61BFG3GP	3"	3" Angle Filter Batteries and 30" Epoxy Media	3" GR	3" GR	2" TH	1,033.00
71600-006865	61BFG4GP	4"	48" AGF	4" GR	4" GR	4" GR	1,843.00
71600-006855	61BFG4GPG-DM	4"	Apollo Disc-Kleen	4" GR	4" GR	3" TH	1,843.00



## IRON BACKFLUSH VALVES <sup>(N)</sup>

Item Number	Model Number	Valve Size	Valve Application	Connections			Price Each
				In	Out	Flush	
71600-006516	61BFG2GY98ANGBLUE	2"	16", 20" AND 24" Sandstorm (Angle Flow)	2" GR	2" TH	2" GR	691.00
71600-006670	61BFG3GBLU	3"	30" and 36" Sandstorm	3" GR	3" GR	2" TH	763.00
71600-006660	61BFG4GBLU	4"	48" Sandstorm	4" GR	4" GR	3" GR	1,396.00



GR = Grooved or Victaulic connection  
TH = Threaded connection

## BACKFLUSH VALVE REPLACEMENT PARTS

Visit [www.netafimusa.com](http://www.netafimusa.com) for backflush valve replacement parts ordering information

# VALVES



**24VAC**  
(WIRE LEADS/PLASTIC BASE)



**24VAC**  
(HUB/BRASS BASE)



**24VAC**  
(HUB/SST BASE)



**12VDC**  
(WIRE LEADS/BRASS BASE)



**12VDC**  
(WIRE LEADS/PLASTIC BASE)

## NORMALLY OPEN SOLENOIDS

(N)

Item Number	Model Number	Connection	Base Material	Voltage	Used with Valve Sizes	Max. Oper. Press. (psi)	Power (watt)	Price Each
71640-006980	61NET	Wire Leads		24VAC			2.2	130.00
71640-007076	61NETR	Wire Leads	Plastic	24VAC	4" and Smaller	145	2.9	138.00
71640-006990	61NET-24VDC	Wire Leads		24VDC			2.9	143.00
70800-007800	61BSHO-012-W	Wire Leads	SST 304	12VDC	6" and Larger	230	10	262.00
70800-007650	61BSHO-024-H	Hub 1/2"		24VAC			8	262.00
70800-007450	61BSHO-024-W	Wire Leads	SST 304	24VAC	6" and Larger	230	8	262.00
70800-007700	61BSHO-120-H	Hub 1/2"		120VAC			8	262.00
70800-007760	61BSHO-120-W	Wire Leads	SST 304	120VAC	6" and Larger	230	8	262.00
70800-007350	61BSHO-024-H5	Hub 1/2"		24VAC			5.5	262.00
70800-007550	61BSHO-024-W5	Wire Leads	SST 304	24VAC	6" and Larger	210	5.5	262.00
70800-007250	61BSHO-024DC-H	Hub 1/2"		24VDC			5.5	262.00

## NORMALLY CLOSED SOLENOIDS

(N)

Item Number	Model Number	Connection	Base Material	Voltage	Used with Valve Sizes	Max. Oper. Press. (psi)	Power (watt)	Price Each
71640-007090	61NETNC	Wire Leads	Plastic	24VAC	4" and Smaller	145	2.2	130.00
70800-002910	61BBC-012	Hub 1/2"		12VDC			10	267.00
70800-003260	61BBC-024	Hub 1/2"	Brass	24VAC	6" and Larger	110	8	262.00
70800-007790	61BBC-120	Hub 1/2"		120VAC	All PSNO Sizes		8	262.00
70800-007100	61BSHC-012-W	Wire Leads		12VDC			10	262.00
70800-007400	61BSHC-024-H	Hub 1/2"	SST 304	24VAC	6" and Larger	230	8	262.00
70800-007420	61BSHC-024-W	Wire Leads	SST304	24VAC	6" and Larger	230	8	262.00
70800-007600	61BSHC-120-H	Hub 1/2"		120VAC			8	262.00
70800-007300	61BSHC-024-H5	Hub 1/2"		24VAC			5.5	262.00
70800-007500	61BSHC-024-W5	Wire Leads	SST 304	24VAC	6" and Larger	210	5.5	262.00
70800-007200	61BSHC-024DC-H	Hub 1/2"		24VDC			5.5	262.00

## DC LATCHING SOLENOIDS

(N)

Item Number	Model Number	Description	Connection	Base Material	Used with Valve Sizes	Max. Oper. Press. (psi)	Price Each
70800-001215	61NETNO-L	9-12VDC 2-Wire	Wire Leads	Plastic	4" and Smaller	145	197.00
70800-004967	61BLO-012-H-MO	12VDC 2-Wire	Hub 1/2"	Brass	6" and Larger All Backflush Sizes	145	418.00
71000-019400	61ARK12VDCL-MO	12VDC 2-Wire	Wire Leads	Plastic	6" and Larger All Backflush Sizes	145	369.00

# VALVES

## AQUATIVE SOLENOIDS

Item Number	Model Number	Description	Voltage	Price Each
35500-001320	61AQTVAC1	Aquative Solenoid with Bracket	24VAC	123.00
35500-002020	61AQTVDC1	Aquative Solenoid with Bracket	12VDC	117.00
35500-002120	61AQTVDC2	Aquative Solenoid (2) with Bracket	12VDC	243.00

(N)



## COILS FOR AC AND DC SOLENOIDS

Item Number	Model Number	Connection	Voltage	Power (watt)	Price Each
70800-002920	61BKCL-12H	Hub 1/2"	12VDC	10	103.00
70800-002930	61BKCL-12W	Wire Leads			103.00
70800-003720	61BKCL-120H8	Hub 1/2"	120VAC		103.00
70800-003270	61BKCL-24H8	Hub 1/2"	24VAC	8	104.00
70800-003280	61BKCL-24W8	Wire Leads	24VAC		103.00
70800-003285	61BKCL-120W8	Wire Leads	120VAC		103.00
70800-002670	61BKCL-24H5	Hub 1/2"	24VAC	5.5	103.00
70800-002680	61BKCL-24W5	Wire Leads			103.00
71640-007120	61NTCL3-24V	Wire Leads	24VAC	2.2	100.00
71640-007130	61NTCL3-24V-C	Wire Leads			100.00
71640-007137	61NTCLR-24V	Wire Leads	24VAC	2.9	110.00
71680-018350	61BASE-3W	Base Only	-	-	68.00

(N)



## COILS FOR DC LATCHING SOLENOIDS

Item Number	Model Number	Connection	Voltage	Inrush (amp)	Holding (amp)	Price Each
70800-004950	61BKCL-DCL	Hub	12VDC	4700 mf	13.5	110.00

(N)

## ACTUATORS (COILS) FOR 2-WAY VALVES

Item Number	Model Number	Description	Voltage	Price Each
71680-018370	61SDD2-L	2-Way Actuator Latching - Wire Leads	12VDC	64.00
71640-007020	61SDD2-12VDC	2-Way Actuator - Wire Leads	12VDC	63.00
71640-007140	61SDD2-24V	2-Way Actuator - Wire Leads	24VAC	45.00
71640-007141	61SDD2-24VDC	2-Way Actuator - Wire Leads	24VDC	45.00
70800-000002	61SDD2-120V	2-Way Actuator Normally Closed - Hub	110VAC	108.00

(N)

## BATTERY OPERATED CONTROL 3-WAY VALVES

Includes Battery Operated Aqua Pro Single Valve Controller and 12VDC Latching Aquative Solenoid

Valve Type	Function Code	1"	1 1/2"	2"	323	3"	3" PVC Threaded	3" PVC Slip	4"	4" PVC Slip	6"	6" PVC Slip
Nylon	ELC	427.00	496.00	515.00	547.00	-	-	-	-	-	-	-
PVC	ELC	-	-	-	-	-	883.00	833.00	-	1,188.00	-	2,712.00
Iron Flanged	ELC	-	-	-	-	979.00	-	-	1,501.00	-	3,068.00	-
Iron Grooved	ELC	-	-	664.00	776.00	1,127.00	-	-	1,464.00	-	2,999.00	-
Iron Threaded	ELC	-	-	695.00	776.00	1,127.00	-	-	-	-	-	-

(N)

Refer to the Battery Operated Control Valves Technical Sheet for Ordering Guide and Examples.

# VALVES



2950



PLASTIC



BRASS



RELAY -  
ACCELERATOR



RELAY -  
SHASTOMIT

## PILOTS AND RELAYS

(N)

Item Number	Model Number	Description	Model	Port Size	Valve Size	Price Each
<b>PILOTS</b>						
71680-051268	61PIL2950MY	2950 Multi Pilot Yellow Spring	2950	1/8"	1 1/2" to 8"	353.00
71680-051269	61PIL2950MG	2950 Multi Pilot Green Spring	2950	1/8"	1 1/2" to 8"	353.00
71680-051270	61PIL2950MR	2950 Multi Pilot Red Spring	2950	1/8"	1 1/2" to 8"	353.00
-	61PIL29100-X	Pressure Reducing - Plastic Black	29100	1/8"	1" to 4"	310.00
-	61PIL29200-X	Pressure Sustaining - Plastic Blue	29200	1/8"	1" to 4"	353.00
-	61PIL31310-X	Pressure Reducing and Sustaining - Brass	31310	1/4"	6" to 24"	930.00
-	61PIL66310-X	Quick Reacting	66300	1/2"	3" to 24"	1,209.00
-	61PIL68200-X	Quick Reacting - Brass	68200	1/4"	2" Only	905.00
71680-001500	61PIL68410	2-Way Pressure Reducing - Brass	68400	1/4"	1" to 4"	583.00
71680-001263	61PILCXPR	2-Way Pressure Reducing - Brass, Built-in Needle Valve	CXPR	1/4"	6" & Larger	1,307.00
71680-001230	61PIL68500-G	2-Way Pressure Sustaining - Brass, Built-in Needle Valve	68500	1/4"	1" to 4"	833.00
71680-001265	61PILCXPS	2-Way Pressure Sustaining, Surge Anticipating, Quick Relief Brass, Built-in Needle Valve	CXPS	1/4"	6" & Larger Iron	1,307.00
71680-001517	61PIL70550	Differential Float	70550	1/8"	1" to 24"	1,924.00
71680-001530	61PIL76200	Pressure Differential - Brass	76200	1/4"	6" to 24"	1,038.00
<b>RELAYS</b>						
71680-000790	61PIL25300	Hydraulic Relay Accelerator, Plastic	25300	1/8"	> 6"	229.00
70220-001800	61SHASTOMIT	Hydraulic Relay, Shastomit, Plastic	-	1/8"	All RC Valves	111.00
73220-001900	61GALIT	Hydraulic Relay, Galit, Plastic	-	1/8"	All RC Valves	125.00
71680-001370	61PIL66210	Accelerator Relay - Brass	66210	1/2"	6" to 24"	757.00
71680-000960	61PIL28200	Accelerator Relay - Brass	28200	1/2"	6" to 24"	258.00

Substitute X for proper spring color - see Ordering Guidelines Chart for options.

## PILOT SPRINGS

(N)

Item Number	Model Number	Used with Pilot Model	Spring Color	Price Each
71680-010800	61SPP2072		Y - Yellow	37.00
71680-010850	61SPP2054	29100, 29200	G - Green	37.00
71680-010700	61SPP2065		R - Red	45.00
71680-010600	61SPP2042		Y - Yellow	56.00
71680-010550	61SPP2047	31310, 66310, 68710	G - Green	56.00
71680-010500	61SPP2050		R - Red	74.00
71680-010810	61SPP2086		Y - Yellow	56.00
71680-011100	61SPP2058		G - Green	56.00
71680-011000	61SPP2063	68410, 68500	R - Red	38.00

## PILOT DIAPHRAGM KITS

(N)

Item Number	Model Number	Description	Pilot Model	Price Each
71680-001027	61KIT29100-C	Comprehensive Parts Kit	29100	80.00
71680-001030	61KIT29200	Pilot Repair Kit	29200	85.00
71680-001225	61KIT31310	Pilot Repair Kit	31310	180.00
71680-001355	61KIT68200	Pilot Repair Kit	68200	133.00
71680-001571	61KIT68410	Pilot Repair Kit	68410	251.00
71680-001455	61KIT68500	Pilot Repair Kit	68500	180.00

# VALVES



(N)

## DIAPHRAGMS

Item Number	Model Number	Description	Diaphragm #	Pressure	Dimensions	Price Each
DIAPHRAGMS (2-Way Valves)						
<b>Series 75</b>						
71680-006150	61DIA1PL2W	3/4" - 1" Standard - Nylon 2-Way Throttling Valves Kit	25	15-115	74.4mm / 2.93inch	\$37.00
71680-006200	61DIA2PL2W	1 1/2, 2" & 323 Standard - Nylon 2-Way Valves Kit	21	7-145	121mm / 4.76inch	\$45.00
Series 80						
71680-006165	61DIA1PL-S80	3/4" - 1" Standard Diaphragm Kit - S80	241	7-145	55.5mm / 2.19inch	\$48.00
71680-006175	61S806671820H00	1-1/2" - 2" Standard Diaphragm Kit - S80	231	7-145	100mm / 3.94inch	\$56.00
DIAPHRAGMS (3-Way Valves)						
<b>Series 75</b>						
71680-007045	61DIA1PL	3/4" & 1" Low Pressure - Nylon 3-Way Valves Kit	164	9-145	74.4mm / 2.93inch	\$21.00
71680-006170	61DIA2PL	1 1/2, 2", 323 Standard - Nylon 3-Way Valves Kit	22	7 - 145	121mm / 4.76inch	\$44.00
71680-006272	61DIA2PL-LP	1 1/2, 2", 323 Low Pressure - Nylon 3-Way Valves	229	5 - 72	121mm / 4.76inch	\$84.00
71680-006360	61DIA3PLN	3" Standard - Nylon 3-Way Valve	330	7 - 145	228mm / 8.97inch	\$55.00
71680-000229	61DIA4PL	4" - 6" Standard - Nylon 3-Way Valve	370	7 - 175	234mm / 9.21inch	\$106.00
<b>Series 90</b>						
71680-007660	61DIA34PL	3", 4" Standard - PVC Valves	95	8 - 145	228mm / 8.97inch	\$153.00
71680-007670	61DIA6PL	6" (Requires 2) Standard - PVC Valves	52	8 - 145	260mm / 10.24inch	\$176.00
<b>Series 100</b>						
71680-007050	61DIA1LP	3/4" & 1" Low Pressure - Iron Valves	85	7-145	68mm / 2.68inch	\$25.00
71680-006900	61DIA1C	3/4" & 1" Standard - Iron Valves	18	17-230	68mm / 2.68inch	\$25.00
71680-007200	61DIA1.5LP	1 1/2" Super Low Pressure - Iron Valves	82	7-70	95mm / 3.74inch	\$38.00
71680-007100	61DIA1.5HP	1 1/2" Standard - Iron Valves	13	17-230	95mm / 3.74inch	\$38.00
71680-006271	61DIA2SLP	2", 2" Angle & 323 Super Low Pressure - Iron Valves	12	6-70	118mm / 4.65inch	\$46.00
71680-007400	61DIA2LP	2", 2" Angle & 323 Low Pressure - Iron Valves	2	10-145	118mm / 4.65inch	\$40.00
71680-007300	61DIA2HP	2", 2" Angle & 323 Standard - Iron Valves	3	21-230	118mm / 4.65inch	\$41.00
71680-006400	61DIA34LP	3", 4" & 4" Angle Low Pressure - Iron Valves	5	6-145	203mm / 7.99inch	\$72.00
71680-006300	61DIA34HP	3", 4" & 4" Angle Standard - Iron Valves	32	17-230	200mm / 7.87inch	\$153.00
71680-006620	61DIA6SLP#91	6" & 868 Super Low Pressure - Iron Valves	91	3-70	295mm / 11.61inch	\$348.00
71680-006600	61DIA6LP	6" & 868 Low Pressure - Iron Valves	9	7-145	295mm / 11.61inch	\$260.00
71680-006520	61DIA6HP	6" & 868 Standard - Iron Valves	62	28-230	295mm / 11.61inch	\$466.00
71680-006860	61DIA8LP	8" & 12" (Requires 2) Low Pressure - Iron Valves	37	3-70	370mm / 14.57inch	\$578.00
71680-006850	61DIA8HP	8" & 12" (Requires 2) Standard - Iron Valves	36	10-230	370mm / 14.57inch	\$830.00
71680-006820	61DIA10LP	10" Low Pressure - Iron Valves	50	3-70	438mm / 17.24inch	\$1,012.00
71680-006800	61DIA10HP	10" Standard - Iron Valves	40	10-230	438mm / 17.24inch	\$1,128.00

## DIAPHRAGM SPRINGS

(N)

Item Number	Model Number	Valve Type	Valve Size	Price Each
71680-008400	61SP2T	Nylon	1 1/2", 2", 323	38.00
71680-008100	61SP34	PVC	3", 4"	41.00
71680-008190	61SP6PL		6" (Requires 2)	72.00
71680-008000	61SP2	Bronze/Iron	1 1/2", 2", 323	38.00
71680-008100	61SP34	Iron	3", 4"	41.00
71680-008200	61SP6		6", 868	153.00
71680-008300	61SP810		8", 10", 12", (12" Requires 2)	549.00



## SPRING SEATS

(N)

Item Number	Model Number	Valve Type	Valve Size	Price Each
71680-009010	61SPSEAT2PT	Nylon	1 1/2", 2", 323	12.00
71680-008700	61SPSEAT23	Bronze/Iron	1 1/2", 2", 323	3.30
71680-008900	61SPSEAT34	Iron/PVC	3", 4"	6.70
71680-008990	61SPSEAT6PL	PVC	6" (Requires 2)	51.00
71680-009000	61SPSEAT6	Iron	6", 868	11.00
71680-008995	61SPSEAT812		10", 12" (12" Requires 2)	158.00



# VALVES



## ACCESSORIES

(N)

Key	Item Number	Model Number	Description	Valve Size	Part Size	Price Each
1	71680-014170	61SF25P	Plastic Finger Filter	1" - 4"	1/4" x 1/8"	25.00
2	71680-014000	61SF25SB	Brass Finger Filter	1" - 4"	1/4" x 1/4"	84.00
	71680-014160	61SF25B	Brass Finger Filter	1" - 4"	1/4" x 1/8"	84.00
3	71680-014100	61SF5	Cleanable Finger Filter	6" and up	1/2"	109.00
4	71610-035900	62SV21/4M	3-Way Selector Valve	1 1/2" - 4"	1/8" x 1/4" Male	65.00
	71610-036100	62SV41/4M	3-Way Selector Valve	6" and up	1/4" x 1/4" Male	128.00
5	71680-032000	61SV1/8BR	Pressure Selector Tee Brass	1" - 4"	1/4" (Shuttle Valve)	128.00
	71680-032050	61SV1/4BR	Pressure Selector Tee Brass	6" and up		128.00
6	71610-041000	61NVSS25E	Stainless Steel Needle Valve	All	1/4" SS	306.00
7	77500-004700	61NV1/4	Needle Valve	All	1/4" Brass	92.00
8	71610-035600	62SBV25	Ball Valve Brass	6" and up	1/4" M x F	46.00
	76601-001080	62SBV50	Ball Valve Brass	-	1/2" M x F	59.00
	71610-035700	62SBV75	Ball Valve Brass	-	3/4" M x F	59.00
	76601-001400	62SBV100F	Ball Valve Brass	-	1" M x F	86.00
9	76601-001050	61APS1/8	Shrader Valve	All	1/8"	7.20
10	00110-001750	6809020-30	Pressure Gauge 0-30 psi	All	1/4"	91.00
	00110-001790	6809020-100	Pressure Gauge 0-100 psi			91.00
	00110-001810	6809020-160	Pressure Gauge 0-160 psi			91.00
11	76340-001050	15CONT-6	Control Tubing (1000' roll)	1" - 4"	1/4" (6 mm)	150.00
	40001-000103	15CONT6C100	Control Tubing (100' roll)			24.70
	40001-000102	15CONT6C50	Control Tubing (50' roll)			16.50
	40001-000101	15CONT6C10	Control Tubing (10' roll)			11.20
11	40001-000400	15CONT-8	Control Tubing (1000' roll)			Hydraulic remote control valve / filters
	40001-000383	15CONT8C100	Control Tubing (100' roll)	33.30		
	40001-000382	15CONT8C50	Control Tubing (50' roll)	19.00		
	40001-000381	15CONT8C10	Control Tubing (10' roll)	12.40		
-	76601-000900	61CV25	Brass Check Valve 1/4"	-	-	
-	77540-005270	61CV50	Brass Check Valve 1/2"	-	-	46.00

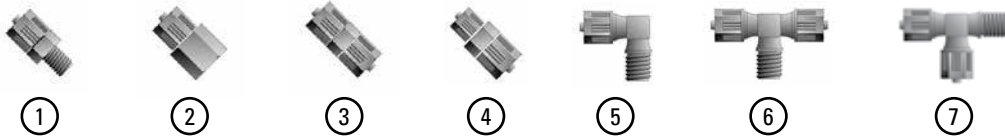
## QUICK COUPLING VALVE

(N)

Item Number	Model Number	Description	Price Each
75070-001000	593039075	3/4" Quick Coupling Valve	46.00
75070-001150	593139075	3/4" Quick Coupling Valve Riser	18.00



# VALVES



## PLASTIC FITTINGS

(N)

Key	Item Number	Model Number	Description	Size	Bag Qty	Price Per Bag
1	76400-001710	55P4684602-B	Male Connector	6 mm x 1/8"	10	39.30
	76400-001910	55P4684604-B		6 mm x 1/4"	10	39.30
	76400-002110	55P4684802-B		8 mm x 1/8"	10	39.30
	76400-002310	55P4684804-B		8 mm x 1/4"	10	39.30
2	76400-001810	55P4664602-B	Female Connector	6 mm x 1/8"	10	54.10
	76400-002010	55P4664604-B		6 mm x 1/4"	10	54.10
	76400-002210	55P4664802-B		8 mm x 1/8"	10	54.10
	76400-002405	55P4664804-B		8 mm x 1/4"	10	54.10
3	76400-001110	55P4624600-B	Union Connector	6 mm x 6 mm	10	61.50
	76400-001310	55P4624800-B	Union Connector	8 mm x 8 mm	10	62.60
4	76400-001210	55P4564846-B	Reducing Connector	8 mm x 6 mm	10	62.60
5	76400-002910	55P4694602-B	Male 90° Elbow	6 mm x 1/8"	10	56.20
	76400-003010	55P4694604-B		6 mm x 1/4"	10	55.20
	76400-003410	55P4694802-B		8 mm x 1/8"	10	59.40
	76400-003503	55P4694804-B		8 mm x 1/4"	10	59.40
6	76400-004210	55P4714602-B	Male Branch Tee	6 mm x 6 mm x 1/8"	10	74.20
	76400-004310	55P4714604-B		6 mm x 6 mm x 1/4"	10	74.20
	76400-004410	55P4714802-B		8 mm x 8 mm x 1/8"	10	67.90
	76400-004505	55P4714804-B		8 mm x 8 mm x 1/4"	10	75.30
7	76400-004355	55P4724602-B	Male Run Tee	6 mm x 6 mm x 1/8"	10	78.50
	76400-004555	55P4724802-B		8 mm x 8 mm x 1/8"	10	78.50
	76400-004565	55P4724804-B		8 mm x 8 mm x 1/4"	10	74.20



## BRASS PRESTOLOK FITTINGS

(N)

Key	Item Number	Model Number	Description	Size	Price Each
1	78301-005300	55B68PL42	Male Connector	1/4" Tube x 1/8"	8.70
	78301-005400	55B68PL44		1/4" Tube x 1/4"	11.00
	78301-005600	55B68PL64		3/8" Tube x 1/4"	16.00
2	78301-001400	55B169PL42	Swivel Elbow	1/4" Tube x 1/8"	9.30
	78301-001500	55B169PL62		3/8" Tube x 1/8"	19.00
	78301-001600	55B169PL64		3/8" Tube x 1/4"	19.00
3	78301-001800	55B169PLNS44	Male Elbow	1/4" Tube x 1/4"	13.00
	78301-001900	55B169PLNS64		3/8" Tube x 1/4"	19.00
	78301-001920	55B169PLNS68		3/8" Tube x 1/2"	28.00
4	78301-002800	55B171PL42	Male Run Tee	1/4" Tube x 1/8"	16.00
	78301-002900	55B171PL64		3/8" Tube x 1/4"	35.00
5	78301-003100	55B172PL42	Branch Swivel Tee	1/4" Tube x 1/8"	19.00
6	78301-002400	55B2224P4	Male Branch Tee	1/4" Tube x 1/4" F	17.00
	78301-002500	55B2225P4	Street Tee	1/4" M x 1/4" F	23.00
7	78301-003300	55B209P42	Bushing	1/4" M x 1/8" F	3.50
	78301-003600	55B209P84		1/2" M x 1/4" F	8.30
-	71680-018450	55BNB4040	Nylon Tubing	1/4"	3.00
-	71680-018460	55BNB6050	Nylon Tubing	3/8"	4.50

# VALVES





# AIR VENTS & PRESSURE REGULATORS

Dynamic Air Release Air Vent .....	138
Pro Air Vent .....	138
Combination Air/Vacuum/Continuous Acting Air Vents .....	138
Automatic Continuous Acting Air Vents .....	139
Automatic Continuous Acting Vacuum Guard Air Vents .....	139
Guardian Air/Vacuum Air Vents .....	139
Guardian Air/Vacuum Air Vents with Shrader Valve .....	139
Air Vent Parts .....	139
Pressure Regulators .....	140
Pressure Regulating Units .....	141

# AIR VENTS & PRESSURE REGULATORS

## DYNAMIC AIR RELEASE AIR VENT <sup>(N)</sup>

Item Number	Model Number	Size	Body	Base	Max. Oper. Pressure (psi)	Qty per Carton	Price Each
70561-000085	65ARIDY2SV	2" MPT	Nylon	Nylon	150	1	-
70561-000087	65ARIDY3SV	3" MPT	Nylon	Nylon	150	1	-



## PRO AIR VENT

### COMBINATION AIR/VACUUM AND CONTINUOUS ACTING AIR VENT <sup>(N)</sup>

Item Number	Model Number	Size	Body	Base	Max. Oper. Pressure (psi)	Qty Per Carton	Price Each
70561-000080	65ARIB2PROSV	2" FPT	Nylon	Nylon	150	12	-



## COMBINATION AIR/VACUUM AND CONTINUOUS ACTING AIR VENTS <sup>(N)</sup>

Item Number	Model Number	Size	Body	Base	Max. Oper. Pressure (psi)	Qty Per Carton	Price Each
70561-000800	AV-COMBO-050	1/2" MPT	Nylon	Nylon	Nylon	-	-
70561-000850	AV-COMBO-075	3/4" MPT	Nylon	Nylon	Nylon	-	-
70561-000075	65ARIB1SV-PP	1" MPT	PP	Nylon	Nylon	6	-
70561-000076	65ARIB1SV	1" MPT	Nylon	Nylon	Nylon	6	-
70561-000077	65ARIB1SV-BRS	1" MPT	Nylon	Brass	Brass	6	-
70561-000083	65ARIB2SV	2" MPT	Nylon	Nylon	Nylon	6	-
70561-000073	65ARIB2SV-BRS	2" MPT	Nylon	Brass	Brass	6	-
70561-000088	65ARIB2SV-PP	2" MPT	PP	PP	PP	6	-
70561-000074	65ARIB2SV-BRSPP	2" MPT	PP	Brass	Brass	6	-
70561-000086	65ARIB2SV-VM	2" MPT	Nylon	Nylon	Nylon	6	-
70561-000089	65ARIB2LSV-PP	2" MPT	PP	Nylon	Nylon	-	-

# AIR VENTS & PRESSURE REGULATORS

## AUTOMATIC CONTINUOUS ACTING AIR VENTS <sup>(N)</sup>

Item Number	Model Number	Size	Body	Base	Max. Oper. Pressure (psi)	Qty Per Carton	Price Each
70561-000078	65ARIS75SV	3/4" MPT	Nylon	Nylon	240	6	-
70561-000079	65ARIS1SV	1" MPT	Nylon	Nylon	240	6	-



## AUTOMATIC CONTINUOUS ACTING VACUUM GUARD AIR VENTS <sup>(N)</sup>

Item Number	Model Number	Size	Body	Base	Max. Oper. Pressure (psi)	Qty per Carton	Price Each
70561-000071	65ARIS75SV-VM	3/4" MPT	Nylon	Nylon	240	6	-
70561-000072	65ARIS1SV-VM	1" MPT	Nylon	Nylon	240	6	-



## GUARDIAN AIR/VACUUM AIR VENTS <sup>(N)</sup>

Item Number	Model Number	Size	Body	Max. Oper. Pressure (psi)	Qty Per Carton	Price Each
70561-000860	65ARIA75SV	3/4" MPT	Nylon	150	24	-
70561-004820	65ARIA1SV	1" MPT			24	-
70561-000081	65ARIA2SV	2" FPT	Nylon	150	12	-
70561-000082	65ARIA3SV	3" FPT			6	-



## AIR VENT PARTS <sup>(N)</sup>

Item Number	Model Number	Size	Description	Qty Per Carton	Price Each
70440-001700	65ARISSP-1R	1"	Rolling seal for 1" Automatic	1	-
70440-001750	65ARIBSP-10B	1"	Base O-ring for 1" Body (ARIB1, ARIS1, ARIDY2)	1	-
70500-001280	65ARIBSP-1RS	1"	Rolling seal for 1" Combination	1	-
70500-001300	65ARIBSP-2RS	2"	Rolling seal for 2" Combination	1	-
70500-001350	65ARIBSP-20B	2"	Base O-ring for 2" Combination	1	-
70500-001600	65ARIBSP-2PPCV	2"	Snap-On Check Valve for 2" Combination	1	-
70500-002910	65ARIBSP-2PROFLT	2" PRO	Float Assembly for 2" Pro Air Vent	1	-
70500-002920	65ARIBSP-2PROFLCK	2" PRO	Float Lock for 2" Pro Air Vent	1	-

# AIR VENTS & PRESSURE REGULATORS

## 3/4" LOW FLOW PRESSURE REGULATORS <sup>(N)</sup>

Item Number	Model Number	Flow Range (GPM)	Nominal Output Pressure (psi)	Regulating Units	Price Each
31000-001000	32PRV.75-LF15V2	.25 - 4.4	15	-	16.00
31000-001120	32PRV.75-LF20V2		20		16.00
31000-001160	32PRV.75-LF25V2	.25 - 4.4	25	-	16.00
31000-001200	32PRV.75-LF35V2		35		16.00
31000-001400	32PRV.75-LF42V2		42		16.00



## 3/4" PRESSURE REGULATORS <sup>(N)</sup>

Item Number	Model Number	Flow Range (GPM)	Nominal Output Pressure (psi)	Regulating Units	Price Each
30500-001000	32PRV.75-09V2K	4.5 - 17.6	9	1	27.00
30500-001100	32PRV.75-12V2K		12		27.00
30500-001200	32PRV.75-15V2K		15		27.00
30500-001300	32PRV.75-20V2K		20		27.00
30500-001400	32PRV.75-25V2K		25		27.00
30500-001500	32PRV.75-30V2K	4.5 - 17.6	30	1	27.00
30500-001600	32PRV.75-35V2K		35		27.00
30500-001700	32PRV.75-43V2K		43		27.00
30500-001800	32PRV.75-50V2K		50		27.00
30500-002000	32PRV.75-65V2K		65		27.00



## 1 1/2" PRESSURE REGULATORS <sup>(N)</sup>

Item Number	Model Number	Flow Range (GPM)	Nominal Output Pressure (psi)	Regulating Units	Price Each
30520-001000	32PRV1.5-09V2K	11 - 35	9	2	65.00
30520-001100	32PRV1.5-12V2K		12		65.00
30520-001200	32PRV1.5-15V2K		15		65.00
30520-001300	32PRV1.5-20V2K		20		65.00
30520-001400	32PRV1.5-25V2K		25		65.00
30520-001500	32PRV1.5-30V2K	11 - 35	30	2	65.00
30520-001600	32PRV1.5-35V2K		35		65.00
30520-001700	32PRV1.5-43V2K		43		65.00
30520-001800	32PRV1.5-50V2K		50		65.00
30520-001900	32PRV1.5-57V2K		57		65.00
30520-002000	32PRV1.5-65V2K		65		65.00



# AIR VENTS & PRESSURE REGULATORS

## 2" PRESSURE REGULATORS <sup>(N)</sup>

Item Number	Model Number	Flow Range (GPM)	Nominal Output Pressure (psi)	Regulating Units	Price Each
30540-000950	32PRV2-409V2KPL		9		149.00
30540-000951	32PRV2-412V2KPL		12		149.00
30540-000952	32PRV2-415V2KPL		15		149.00
30540-000953	32PRV2-420V2KPL		20		149.00
30540-000954	32PRV2-425V2KPL	22 - 70	25	4	149.00
30540-000955	32PRV2-430V2KPL		30		149.00
30540-000956	32PRV2-435V2KPL		35		149.00
30540-000957	32PRV2-443V2KPL		43		149.00
30540-000958	32PRV2-450V2KPL		50		149.00
30540-000959	32PRV2-457V2KPL		57		149.00
30540-000960	32PRV2-465V2KPL		65		149.00
30560-002100	32PRV2-609V2K		9		342.00
30560-002200	32PRV2-612V2K		12		342.00
30560-002300	32PRV2-615V2K		15		342.00
30560-002400	32PRV2-620V2K		20		342.00
30560-002500	32PRV2-625V2K	33 - 105.6	25	6	342.00
30560-002600	32PRV2-630V2K		30		342.00
30560-002700	32PRV2-635V2K		35		342.00
30560-002800	32PRV2-643V2K		43		342.00
30560-002900	32PRV2-650V2K		50		342.00
30560-003000	32PRV2-657V2K		57		342.00
30560-003100	32PRV2-665V2K		65		342.00



## 3" PRESSURE REGULATORS <sup>(N)</sup>

Item Number	Model Number	Flow Range (GPM)	Nominal Output Pressure (psi)	Regulating Units	Price Each
30580-002100	32PRV3-1009V2K		9		623.00
30580-002200	32PRV3-1012V2K		12		623.00
30580-002300	32PRV3-1015V2K	35 - 175	15	10	623.00
30580-002400	32PRV3-1020V2K		20		623.00
30580-002500	32PRV3-1025V2K		25		623.00
30580-002600	32PRV3-1030V2K		30		623.00
30580-002700	32PRV3-1035V2K		35		623.00
30580-002800	32PRV3-1043V2K	35 - 175	43	10	623.00
30580-002900	32PRV3-1050V2K		50		623.00
30580-003000	32PRV3-1057V2K		57		623.00
30580-003100	32PRV3-1065V2K		65		623.00



## PRESSURE REGULATING UNITS <sup>(N)</sup>

Item Number	Model Number	Nominal Output Pressure (psi)	Price Each
31500-001000	32PRVU-09V2K	9	21.00
31500-001100	32PRVU-12V2K	12	21.00
31500-001200	32PRVU-15V2K	15	21.00
31500-001300	32PRVU-20V2K	20	21.00
31500-001400	32PRVU-25V2K	25	21.00
31500-001500	32PRVU-30V2K	30	21.00
31500-001600	32PRVU-35V2K	35	21.00
31500-001700	32PRVU-43V2K	43	21.00
31500-001800	32PRVU-50V2K	50	21.00
31500-001900	32PRVU-57V2K	57	21.00
31500-002000	32PRVU-65V2K	65	21.00



**NOTE:** Maximum Operating Pressure for all models is 145 psi.

**NOTE:** Maximum Operating Pressure for all models is 145 psi.

# AIR VENTS & PRESSURE REGULATORS



# WATER METERS

'M', 'MP', 'WMR' Water Meters .....	144
Replacement Parts - 'M', 'MP' and 'WMR' .....	145
'IRT' Water Meters .....	146
Replacement Parts - 'IRT' .....	147
'WST' Water Meters .....	148
Replacement Parts - 'WST' .....	149
Octave Ultrasonic Water Meter .....	150
Replacement Parts - Octave .....	151
Fertilizer Meter .....	152
Fertilizer Injectors .....	152
Hydrometers .....	153
Hydrometer Control Options .....	154
Hydrometer Replacement Registers .....	155
Hydrometer Parts	
1 1/2" and 2" Sizes .....	156
3" and 4" Sizes .....	157
6" Size .....	158
8" Size .....	159
Solenoids .....	161
Pilots .....	161
Pilot Springs .....	161
Fittings .....	162
Accessories .....	163

# WATER METERS

## HOW TO READ WATER METER MODEL NUMBERS - FOR MECHANICAL METERS

36 MODEL	SIZE	OUTPUT REGISTER	UNITS (TOTAL-FLOW)	PULSE	OPTION
SM	XX.XX*	R = REED SWITCH	A = Acre Feet - GPM	.0001	R = Register Only
FM	.75	P = PHOTO DIODE	G = Gallons - GPM	.01	XXXXX = Hydrometer Function**
M	1	E = ELECTRONIC	L = M3 - L/S	.1	M = Manual, C = Manual Copper
MP	1.5		M = M3 - M3/H	1	A = 24vAC, D = 12VDC, L = Latch Solenoid
WMR	2			10	O = Normally Open, C = Normally Closed
IRT	3			100	R = Pres. Reducing, S = Pres. Sustaining
WST	4				Y = Yellow, G = Green, R = Red Spring
H	6				
	8				
	10				
	12				

\*XX.XX = Saddle Meter Pipe ID  
 \*\* See individual product pages for options.  
 Note: All ER's to ship with output cable

**NOTE:**  
 Model Numbers - 18 character limit  
 No Leading Zero's (0) - Example: 0.1 = .1, 002 =2  
 No Dashes



**'M' WATER METER**  
(COPPER ALLOY BODY)



**'MP' WATER METER**  
(PLASTIC BODY)



**'WMR' WATER METER**

## 'M', 'MP' & 'WMR' WATER METERS - WITH REED SWITCH, PHOTO DIODE AND ELECTRONIC REGISTERS

(N)

Item Number	Model Number	Size	Register	Units (Vol. - Flow)	Pulse Rate (Vol./Pulse)	Minum Flow (GPM)	Maximum Flow (GPM)	Connection	Price Each
70261-002445	36M.75RG.1		Reed Switch	USG	.1				265.00
70261-002450	36M.75RG1	3/4"	Reed Switch	USG	1			Male	265.00
70261-002447	36M.75PG.0015	Metal	Photo Diode	USG	.0015	.9	14	Thread	422.00
70261-002422	36M.75EG.01		Electronic	USG-GPM	.01 & .1				1,035.00
70261-002446	36MP.75RG.1		Reed Switch	USG	.1				215.00
70261-002448	36MP.75RG1	3/4"	Reed Switch	USG	1	.9	14	Male	215.00
70261-002473	36MP.75PG.0015	Plastic	Photo Diode	USG	.0015			Thread	373.00
70261-002423	36MP.75EG.1		Electronic	USG-GPM	.01 & .1				910.00
70261-002721	36M1RG.1		Reed Switch	USG	.1				441.00
70261-002720	36M1RG1	1"	Reed Switch	USG	1			Male	441.00
70261-002725	36M1PG.0021	Metal	Photo Diode	USG	.0021	1.2	20	Thread	441.00
70261-002495	36M1EG.01		Electronic	USG-GPM	.01 & .1				1,136.00
70261-002715	36MP1RG1		Reed Switch	USG	1				329.00
70261-002727	36MP1PG.0021	1"	Photo Diode	USG	.0021	1.2	20	Male	524.00
70261-002431	36MP1EG.01	Plastic	Electronic	USG-GPM	.01 & .1			Thread	1,024.00
70261-003230	36M1.5RG1		Reed Switch	USG	1				879.00
70261-003240	36M1.5PG.0074	1.5"	Photo Diode	USG	.0074	3.5	55	Male	1,008.00
70261-003271	36M1.5EG.05	Metal	Electronic	USG-GPM	.01 & .1			Thread	1,651.00
70261-005060	36WMR2RG10		Reed Switch	USG	10				860.00
70261-004900	36WMR2RA.00001		Reed Switch	AF	.00001				860.00
70261-005010	36WMR2PG.055	2"	Photo Diode	USG	.055	8.8	110	Male	923.00
70261-005050	36WMR2PG1	Metal	Photo Diode	USG	1			Thread	923.00
70261-004984	36WMR2EG.5		Electronic	USG-GPM	.5 & 1				1,554.00

For more options, visit our water meter configurator at [netafimusa.com/water-meter-configurator](http://netafimusa.com/water-meter-configurator).



# WATER METERS

## 'M', 'MP', 'WMR' WATER METER REPLACEMENT PARTS

3/4" & 1" REGISTERS ARE NOT REPLACEABLE

(N)

Key	Item Number	Model Number	Description	Price Each
1	70220-00042	36M.75COUPLERS	M(P) .75" Coupler Set (2 Tail Pc, 2 Nut, 2 Gasket)	53.00
	70261-000840	36M1COUPLERS	M(P) 1" Coupler Set (2 Tail Pc, 2 Nut, 2 Gasket)	67.00
	70261-000880	36M1.5COUPLERS	M 1.5" Coupler Set (2 Tail Pc, 2 Nut, 2 Gasket)	87.00
	70261-000900	36WMR2COUPLERS	WMR 2" Coupler Set (2 Tail Pc, 2 Nut, 2 Gasket)	112.00
2	70220-003900	36M.75GASKET	M(P) .75" Coupler Gasket	0.90
	70220-004000	36M1GASKET	M(P) 1" Coupler Gasket	1.20
	70220-004100	36M1.5GASKET	M(P) 1.5" Coupler Gasket	5.00
	70220-004180	36WMR2GASKET	WMR 2" Coupler Gasket	6.50
3	70261-001100	36M1.5RG1R	M 1.5" Reed Switch Register, USG, 1 USG/Pulse	318.00
	70261-001075	36M1.5PG.0074R	M 1.5" Photodiode Register, USG, .0074 USG/Pulse	391.00
	70261-001121	36M1.5ERG.05-H	M 1.5" ER, USG-GPM, .05 & .1 USG/Pulse	1,136.00
	70261-001139	36WMR2RG1R	WMR 2" Reed Switch Register, USG, 1 USG/Pulse	318.00
	70261-001140	36WMR2RG10R	WMR 2" Reed Switch Register, USG, 10 USG/Pulse	318.00
	70261-001150	36WMR2RA.00001R	WMR 2" Reed Switch Register, AF, .00001 AF/Pulse	318.00
	70261-001155	36WMR2PG.055R	WMR 2" Photo Diode Register, USG, .055 USG/Pulse	391.00
	70261-001198	36WMR2EG.5R	WMR 2" ER, USG-GPM, .05 & .1 USG/Pulse	1,136.00
	70261-001197	36WMR2EA.0001R	WMR 2" ER, AF-GPM, .0001 & .001 AF/Pulse	1,136.00
4	70220-005300	36RSGREY	Reed Switch Cable for Grey Magnets	98.00
	70220-005400	36RSBLUE	Reed Switch Cable for Black, Red, Purple Magnets	105.00
	70220-030000	36EROUTPUT	ER Output Cable, Output 1 Red+Bk, Output 2 Grn+Bk	79.00

## REGISTER DUST COVERS

(N)

Item Number	Model Number	Used With	Price Each
70220-004220	36DUSTCOVER	Dust Cover Only - Reed Switch and Photo Diode	27.00
70220-009370	3627631510	Dust Cover Only - Digital	Call
70220-011650	33625824629	Dust Cover Assembly - Reed Switch and Photo Diode	42.00
70220-010660	36SMERHOUSINGKIT	Dust Cover Assembly - ER	Call



Reed Switch



Electronic Register



Photo Diode

# WATER METERS



## IRT WATER METERS - WITH REED SWITCH, PHOTO DIODE AND ELECTRONIC REGISTERS

(N)

Item Number	Model Number	Size	Register	Units (Vol. - Flow)	Pulse Rate (Vol./Pulse)	Minum Flow (GPM)	Maximum Flow (GPM)	Connection	Price Each
70261-009200	36IRT3RG10	3" Iron	Reed Switch	Gallons	10	45	500	Flange	1,266.00
70261-009100	36IRT3RA.0001		Reed Switch	Acre Feet	0.0001				1,266.00
70261-009128	36IRT3EG5		Electronic	USG-GPM	5 & 10				1,924.00
70261-009126	36IRT3EA.0001		Electronic	AF-GPM	.0001 & .001				1,924.00
70261-009500	36IRT4RG10	4" Iron	Reed Switch	Gallons	10	50	688	Flange	1,645.00
70261-009340	36IRT4RA.0001		Reed Switch	Acre Feet	.0001				1,645.00
70261-009521	36IRT4EG10		Electronic	USG-GPM	10				2,074.00
70261-009522	36IRT4EA.0001		Electronic	AF-GPM	.0001 & .001				2,074.00
70261-009740	36IRT6RG100	6" Iron	Reed Switch	Gallons	100	65	1,375	Flange	2,358.00
70261-009720	36IRT6RA.0001		Reed Switch	Acre Feet	0.0001				2,358.00
70261-009648	36IRT6EG10		Electronic	USG-GPM	10 & 100				3,094.00
70261-009649	36IRT6EA.0001		Electronic	AF-GPM	.0001 & .001				3,094.00
70261-009920	36IRT8RG100	8" Iron	Reed Switch	Gallons	100	130	2,475	Flange	3,055.00
-	36IRT8RA.0001		Reed Switch	Acre Feet	0.0001				3,055.00
70261-009851	36IRT8ERG20		Electronic	USG-GPM	20 & 100				3,692.00
-	36IRT8EA.0001		Electronic	AF-GPM	.0001 & .001				3,692.00
70261-010000	36IRT10RG100	10" Iron	Reed Switch	Gallons	100	300	4,125	Flange	4,586.00
-	36IRT10RA.001		Reed Switch	Acre Feet	0.001				4,586.00
70261-010012	36IRT10EG100		Electronic	USG-GPM	50 & 100				5,331.00
70261-010010	36IRT10EA.001		Electronic	AF-GPM	.001 & .01				5,331.00



Reed Switch



Electronic Register



Photo Diode

# WATER METERS

## 'IRT' WATER METER REPLACEMENT PARTS

(N)

Key	Item Number	Model Number	Description	Price Each
1	70220-005300	36RSGREY	Reed Switch, Grey Magnets	98.00
	70220-030000	36EROUTPUT	ER Pulse Output Cable RD+BLK, GRN+BLK	79.00
2	70220-004220	36DUSTCOVER	Dust Cover for Register	27.00
3	70220-011650	3625824629	Dust Cover Assembly for Register	50.00
4	70220-010610	36SLIDINGRING	Sliding Ring Above Register	3.40
5	70261-001230	36IRT3RG10R	IRT 3" Reed Switch Register USG, 10 USG/Pulse	318.00
	70261-001240	36IRT3RA.0001R	IRT 3" Reed Switch Register AF, .0001 AF/Pulse	318.00
	70261-001294	36IRT3EG10R	IRT 3" ER, USG-GPM, 5 & 10 USG/Pulse	1,136.00
	70261-001293	36IRT3EA.0001R	IRT 3" ER, AF-GPM, .0001 & .001 AF/Pulse	1,136.00
	70261-001300	36IRT4RG10R	IRT 4" Reed Switch Register Gal, 10 Gal/Pulse	318.00
	70261-001360	36IRT4RA.0001R	IRT 4" Reed Switch Register AF, .0001 AF/Pulse	318.00
	70261-001306	36IRT4EG10R	IRT 4" ER, USG-GPM, 10 & 100 USG/Pulse	1,136.00
	70261-001301	36IRT4EA.0001R	IRT 4" ER, AF-GPM, .0001 & .001 AF/Pulse	1,136.00
	70261-001440	36IRT6RG100R	IRT 6" Reed Switch Register USG, 100 USG/Pulse	318.00
	70261-001450	36IRT6RA.0001R	IRT 6" Reed Switch Register AF, .0001 AF/Pulse	318.00
	70261-001462	36IRT6EG10R	IRT 6" ER, USG-GPM, 10 & 100 USG/Pulse	1,136.00
	70261-001555	36IRT6EA.0001R	IRT 6" ER, AF-GPM, .0001 & .001 AF/Pulse	1,136.00
	70261-001555	36IRT8RG100R	IRT 8" Reed Switch Register Gallons, 100 Gal/Pulse	318.00
		36IRT8RA.0001R	IRT 8" Reed Switch Register AF, .0001 AF/Pulse	318.00
	70261-001510	36IRT8EA.0001R	IRT 8" ER, USG-GPM, 20 & 100 USG/Pulse	1,136.00
	70261-001555	36IRT8EA.0001R	IRT 8" ER, AF-GPM, .0001 & .001 AF/Pulse	1,136.00
	-	36IRT10RG100R	IRT 10" Reed Switch Register USG, 100 USG/Pulse	318.00
	70261-001557	36IRT10RA.001R	IRT 10" Reed Switch Register AF, .001 AF/Pulse	318.00
	70261-001622	36IRT10EG100R	IRT 10" ER, USG-GPM, 50 & 100 USG/Pulse	1,136.00
	70261-001623	36IRT10EA.0001R	IRT 10" ER, AF-GPM, .0001 & .001 AF/Pulse	1,136.00
6	-	36REGISTERORING	O-Ring for Register	5.70
7	70261-001624	36PRESSURERING	Pressure Ring Below Register and Register O-Ring	4.60
8	70220-010550	36IRT3METERASSY	IRT 3" Metering Assembly	673.00
	70220-010500	36IRT4METERASSY	IRT 4" Metering Assembly	775.00
	70261-009000	36IRT6METERASSY	IRT 6" Metering Assembly	1,326.00
	70261-009300	36IRT8METERASSY	IRT 8" Metering Assembly	Call
	70261-009600	36IRT10METERASSY	IRT 10" Metering Assembly	Call
9	-	36IRT3-4METERORING	IRT 3" / 4" Meter O-Ring (Between Assy and Body)	Call
	-	36IRT6METERORING	IRT 6" Meter O-Ring (Between Assy and Body)	Call
	-	36IRT8METERORING	IRT 8" Meter O-Ring (Between Assy and Body)	Call
	-	36IRT10METERORING	IRT 10" Meter O-Ring (Between Assy and Body)	Call
9.1	-	36IRTBOLT	IRT 3" - 10" Metering Assembly Bolt (1)	Call
10	-	36IRT3BODY	IRT 3" Body	Call
	-	36IRT4BODY	IRT 4" Body	843.00
	-	36IRT6BODY	IRT 6" Body	1,129.00
	70261-009305	36IRT8BODY	IRT 8" Body	Call
	70261-009550	36IRT10BODY	IRT 10" Body	Call



# WATER METERS



## WST WATER METERS - WITH REED SWITCH, PHOTO DIODE AND ELECTRONIC REGISTERS

(N)

Item Number	Model Number	Size	Register	Units (Vol. - Flow)	Pulse Rate (Vol./Pulse)	Minum Flow (GPM)	Maximum Flow (GPM)	Connection	Price Each
70261-010220	36WST3RG10		Reed Switch	USG	10				1,447.00
70261-010230	36WST3RA.0001	3"	Reed Switch	Acre Feet	.0001	4	660	Flange	1,447.00
70261-010268	36WST3EG1	Iron	Electronic	USG-GPM	1 & 10				2,030.00
70261-010272	36WST3EA.0001		Electronic	AF-GPM	.0001 & .001				2,030.00
70261-010360	36WST4RG10		Reed Switch	USG	10				1,846.00
70261-010370	36WST4RA.0001	4"	Reed Switch	Acre Feet	.0001	6	1,266	Flange	1,846.00
70261-010355	36WST4EG1	Iron	Electronic	USG-GPM	1 & 10				2,653.00
70261-010352	36WST4EA.0001		Electronic	AF-GPM	.0001 & .001				2,653.00
70261-010460	36WST6RG100		Reed Switch	USG	100				2,915.00
70261-010450	36WST6RA.0001	6"	Reed Switch	Acre Feet	.0001	15	1,431	Flange	2,915.00
70261-010452	36WST6EG10	Iron	Electronic	USG-GPM	10 & 100				3,625.00
70261-010455	36WST6EA.0001		Electronic	AF-GPM	.0001 & .001				3,625.00
70261-010600	36WST8RG100		Reed Switch	USG	100				3,367.00
70261-010605	36WST8RA.0001	8"	Reed Switch	Acre Feet	.0001	38	2,475	Flange	3,367.00
70261-010622	36WST8EG10	Iron	Electronic	USG-GPM	10 & 100				4,086.00
70261-010621	36WST8EA.0001		Electronic	AF-GPM	.0001 & .001				4,086.00
70261-010720	36WST10RG100		Reed Switch	USG	100				4,890.00
70261-010670	36WST10RA.001	10"	Reed Switch	Acre Feet	.001	44	4,125	Flange	4,890.00
70261-010742	36WST10EG100	Iron	Electronic	USG-GPM	100 & 1000				5,531.00
70261-010740	36WST10EA.0001		Electronic	AF-GPM	.0001 & .001				5,531.00
70261-010800	36WST12RG100		Reed Switch	USG	100				5,814.00
-	36WST12RA.001	12"	Reed Switch	Acre Feet	.001	51	5,500	Flange	5,814.00
-	36WST12EG100	Iron	Electronic	USG-GPM	100 & 1000				6,433.00
70261-010761	36WST12EA.0002		Electronic	AF-GPM	.0002 & .001				6,433.00



Reed Switch



Electronic Register



Photo Diode

# WATER METERS

## 'WST' WATER METER REPLACEMENT PARTS

(N)

Key	Item Number	Model Number	Description	Price Each
1	70220-005300	36RSGREY	Reed Switch Cable for Grey Magnets	98.00
	70220-005400	36RSBLUE	Reed Switch Cable for Black, Red, Purple Magnets	105.00
	70220-030000	36EROUTPUT	ER Output Cable - Red, Green, Black Wires	79.00
2	70220-004220	36DUSTCOVER	Register Dust Cover	27.00
3	70220-011650	3625824629	Register Dust Cover Assembly	50.00
4	70220-010610	36SLIDINGRING	Register Sliding Ring (Above Register)	3.40
5	70261-001275	36WST3RG10R	WST 3" Reed Switch Register USG, 10 USG/Pulse	318.00
	70261-001250	36WST3RA.0001R	WST 3" Reed Switch Register AF, .0001 AF/Pulse	318.00
	70261-001262	36WST3EG1R	WST 3" ER USG-GPM, 1 & 10 USG/Pulse	1,136.00
	70261-001266	36WST3EA.0001R	WST 3" ER AF-GPM, .0001 & .001 AF/Pulse	1,136.00
	70261-001365	36WST4RG10R	WST 4" Reed Switch Register USG, 10 USG/Pulse	318.00
	70261-001310	36WST4RA.0001R	WST 4" Reed Switch Register AF, .0001 AF/Pulse	318.00
	70261-001333	36WST4EG1R	WST 4" ER USG-GPM, 1 & 10 USG/Pulse	1,136.00
	70261-001328	36WST4EA.0001R	WST 4" ER AF-GPM, .0001 & .001 AF/Pulse	1,136.00
	70261-001485	36WST6RG100R	WST 6" Reed Switch Register USG, 100 USG/Pulse	318.00
	70261-001472	36WST6RA.0001R	WST 6" Reed Switch Register AF, .0001 AF/Pulse	318.00
	-	36WST6EG10R	WST 6" ER USG-GPM, 10 & 100 USG/Pulse	1,136.00
	-	36WST6EA.0001R	WST 6" ER USG-GPM, .0001 & .001 AF/Pulse	1,136.00
	70261-001590	36WST8RG100R	WST 8" Reed Switch Register USG, 100 USG/Pulse	318.00
	70261-001587	36WST8RA.0001R	WST 8" Reed Switch Register AF, .0001 AF/Pulse	318.00
	70261-001535	36WST8EG10R	WST 8" ER USG-GPM, 10 & 100 USG/Pulse	1,136.00
	70261-001437	36WST8EA.0001R	WST 8" ER AF-GPM, .0001 & .001 AF/Pulse	1,136.00
	70261-001620	36WST10RG100R	WST 10" Reed Switch Register USG, 100 USG/Pulse	318.00
	70261-001630	36WST10RA.0001R	WST 10" Reed Switch Register AF, 0.0001 AF/Pulse	318.00
	70261-001633	36WST10EG100R	WST 10" ER USG-GPM, 100 & 1000 USG/Pulse	1,136.00
	70261-001581	36WST10EA.0001R	WST 10" ER AF-GPM, .0001 & .001 AF/Pulse	1,136.00
70261-001710	36WST12RG100R	WST 12" Reed Switch Register USG, 100 USG/Pulse	318.00	
70261-001720	36WT12-PH-AF	WST 12" Reed Switch Register AF, 0.001 AF/Pulse	318.00	
70261-001631	36WST12EG100R	WST 12" ER USG-GPM, 100 & 1000 USG/Pulse	1,136.00	
70261-001743	36WST12EA.0002R	WST 12" ER AF-GPM, .0002 & .001 AF/Pulse	1,136.00	
6	70220-010550	36REGISTERORING	Register O-Ring (Below Register)	5.70
7	70220-010500	36PRESSURERING	Register Pressure Ring (Below O-Ring & Register)	4.60
8	70261-010200	36WST3METERASSY	WST 3" Metering Assembly	779.00
	70261-010300	36WST4METERASSY	WST 4" Metering Assembly	982.00
	70261-010400	36WST6METERASSY	WST 6" Metering Assembly	1,618.00
	70261-010500	36WST8METERASSY	WST 8" Metering Assembly	1,953.00
	70261-010640	36WST10METERASSY	WST 10" Metering Assembly	3,379.00
70261-010645	36WST12METERASSY	WST 12" Metering Assembly	3,942.00	
9	70220-009750	36WST3-4METORING	WST 3" - 4" Meter O-Ring (Between Assy & Body)	4.80
	70220-010340	36WST6-12METORING	WST 6" - 12" Meter O-Ring (Between Assy & Body)	19.00
10	70220-009852	36WST3-4BOLTDRLD	WST 3" - 4" Meter Assembly Bolt Drilled (1) +	19.00
	70220-009856	36WST3-4BOLT	WST 3" - 4" Meter Assembly Bolt (1)	6.50
	70220-009854	36WST6-12BOLTDRLD	WST 6" - 12" Meter Assembly Bolt Drilled (1) +	24.00
	70220-009858	36WST6-12BOLT	WST 6" - 12" Meter Assembly Bolt (1)	10.00
11	70261-010285	36WST3BODY	WST 3" Body (no bolts)	Call
	-	36WST4BODY	WST 4" Body (no bolts)	Call
	70261-010490	36WST6BODY	WST 6" Body (no bolts)	1,230.00
	70261-010505	36WST8F-BODY	WST 8" Body (no bolts)	1,681.00
	-	36WST10BODY	WST 10" Body (no bolts)	Call
70261-010508	36WT12F-BODY	WST 12" Body (no bolts)	2,665.00	



+ To accommodate tamper-proof wire.

# WATER METERS

## HOW TO READ WATER METER MODEL NUMBERS

For Octave Ultrasonic Meters

36	MODEL	SIZE	OUTPUT MODULE	UNITS (TOTAL-FLOW)	PULSE
	OCT	2	N = None*	A = Acre Feet - GPM	.0001
	OCS	3	P = Pulse, Default, 2 Ch, Shared common	B = Barrel - BPM	.01
		4	D = Pulse, Dry Contact, 2 Ch, Isolated common	F = Ft3 - GPM	.1
		6	S = Pulse, Solid State, 2 Ch, Isolated common	G = Usq - GPM	1
		8	A = Analog, 4-20mA, 12 or 24vDC Loop powered	I = Acre Inch - GPM	10
		10	M = Modbus	L = M <sup>3</sup> - L/S	100
		12		M = M <sup>3</sup> - M <sup>3</sup> /H	1000
					**

\*If customer chooses 'NO OUTPUT', meter should still be programmed for optimal pulse in case they want to add a module later.

\*\* See individual product pages for options.

Note: All ER's to ship with output cable

**NOTE:**

Model Numbers - 18 character limit

No Leading Zero's (0) - Example: 0.1 = .1, 002 =2

No Dashes

## OCTAVE WATER METERS - CAST IRON BODY

Size	No Output	Pulse Output	Special Output*
2"	3,120.00	3,428.00	3,600.00
3"	3,439.00	3,746.00	3,921.00
4"	4,560.00	4,865.00	5,038.00
6"	5,562.00	5,868.00	6,041.00
8"	6,178.00	6,486.00	6,657.00
10"	8,294.00	8,599.00	8,772.00
12"	13,132.00	13,439.00	13,611.00

(N)



**NOTE**

Pricing is the same for Gallons or Acre Feet Registers.  
All Octave Water Meters have Flanged Connections.

## OCTAVE ULTRASONIC WATER METERS

(N)

Item Number	Model Number	Size	Output Model	Units	Output Signal	Min-Max Flow	Material/Connection	Price Each
70261-000215	36OCT2NG		None	USG-GPM	.1 & 1 USG/Pulse	.25-250 GPM	Cast Iron Flange	3,120.00
70261-000220	36OCT2NA		None	AF-GPM	.0001 & .001 AF/Pulse	.25-250 GPM		3,120.00
70261-000221	36OCT2NB	2"	None	BL-BPM	.001 & .01 BL/Pulse	.01-6 BPM		3,120.00
70261-000201	36OCT2PG.1		Pulse, NPN	USG-GPM	.1 & 1 USG/Pulse	.25-250 GPM	Cast Iron Flange	3,428.00
70261-000207	36OCT2AG250GPM		Analog 4-20mA	USG-GPM	20mA is 250 GPM	.25-250 GPM		3,600.00
70261-000260	36OCT3NG		None	USG-GPM	.1 & 1 USG/Pulse	.5-400 GPM		3,439.00
70261-000269	36OCT3NA		None	AF-GPM	.0001 & .001 AF/Pulse	.5-400 GPM	Cast Iron Flange	3,439.00
70261-000277	36OCT3NB	3"	None	BL-BPM	.001 & .01 BL/Pulse	.02-10 BPM		3,439.00
70261-000252	36OCT3PG.1		Pulse, NPN	USG-GPM	.1 & 1 USG/Pulse	.5-400 GPM		3,746.00
70261-000272	36OCT3PA.0001		Pulse, NPN	AF-GPM	.0001 & .001 AF/Pulse	.5-400 GPM	Cast Iron Flange	3,746.00
70261-000251	36OCT3AG400GPM		Analog 4-20mA	USG-GPM	20mA is 400 GPM	.75-650 GPM		3,921.00
70261-000301	36OCT4NG		None	USG-GPM	.1 & 1 USG/Pulse	.75-650 GPM		4,560.00
70261-000320	36OCT4NA		None	AF-GPM	.0001 & .001 AF/Pulse	.75-650 GPM	Cast Iron Flange	4,560.00
70261-000336	36OCT4NB	4"	None	BL-BPM	.01 & .1 BL/Pulse	.02-15 BPM		4,560.00
70261-000307	36OCT4PG.1		Pulse, NPN	USG-GPM	.1 & 1 USG/Pulse	.75-650 GPM		4,865.00
70261-000305	36OCT4PG10		Pulse, NPN	USG-GPM	10 & 100 USG/Pulse	.75-650 GPM	Cast Iron Flange	4,865.00
70261-000322	36OCT4PA.0001		Pulse, NPN	AF-GPM	.0001 & .001 AF/Pulse	.75-650 GPM		4,865.00
70261-000303	36OCT4AG650GPM		Analog 4-20mA	USG-GPM	20mA is 650 GPM	.75-650 GPM		5,038.00

# WATER METERS

## OCTAVE ULTRASONIC WATER METERS

(N)

Item Number	Model Number	Size	Output Model	Units	Output Signal	Min-Max Flow	Material/Connection	Price Each	
70261-000390	360CT6NG	6"	None	USG-GPM	.1 & 1 USG/Pulse	2-1500 GPM	Cast Iron Flange	5,562.00	
70261-000419	360CT6NA		None	AF-GPM	.0001 & .001 AF/Pulse			5,562.00	
70261-000391	360CT6NB		None	BL-BPM	.01 & .1 BL/Pulse	.05-36 BPM		5,599.00	
70261-000402	360CT6PG.1		Pulse, NPN	USG-GPM	.1 & 1 USG/Pulse	5,868.00			
70261-000404	360CT6PG10		Pulse, NPN	USG-GPM	10 & 100 USG/Pulse	2-1500 GPM		5,868.00	
70261-000418	360CT6PA.0001		Pulse, NPN	AF-GPM	.0001 & .001 AF/Pulse	5,868.00			
70261-000551	360CT8NG	8"	None	USG-GPM	1 & 10 USG/Pulse	3.5-3000 GPM	Cast Iron Flange	6,178.00	
70261-000591	360CT8NA		None	AF-GPM	.0001 & .001 AF/Pulse			6,178.00	
70261-000595	360CT8NB		None	BL-BPM	.1 & 1 BL/Pulse	.08-71 BPM		6,178.00	
70261-000461	360CT8PG10		Pulse, NPN	USG-GPM	10 & 100 USG/Pulse	6,486.00			
70261-000554	360CT8PA.0001		Pulse, NPN	AF-GPM	.0001 & .001 AF/Pulse	3.5-3000 GPM		6,486.00	
70261-000504	360CT10NG		None	USG-GPM	1 & 10 USG/Pulse	8.8-5500 GPM		8,294.00	
70261-000526	360CT10NA	10"	None	AF-GPM	.0001 & .001 AF/Pulse	8.8-5500 GPM	Cast Iron Flange	8,294.00	
70261-000597	360CT10NB		None	BL-BPM	.1 & 1 BL/Pulse			.21-131 BPM	8,294.00
70261-000510	360CT10PG100		Pulse, NPN	USG-GPM	100 & 1000 USG/Pulse	8,599.00			
70261-000531	360CT10PA.0001		Pulse, NPN	AF-GPM	.0001 & .001 AF/Pulse	8.8-5500 GPM		8,599.00	
70261-000471	360CT12NG		None	USG-GPM	1 & 10 USG/Pulse	8.8-5500 GPM		Cast Iron Flange	13,132.00
70261-000484	360CT12NA		None	AF-GPM	.0001 & .001 AF/Pulse				13,132.00
70261-000455	360CT12PG100	Pulse, NPN	USG-GPM	100 & 1000 USG/Pulse	13,439.00				
70261-000482	360CT12PA.0001	Pulse, NPN	AF-GPM	.0001 & .001 AF/Pulse	13,439.00				

## OCTAVE WATER METER REPLACEMENT PARTS

(N)

Key	Item Number	Model Number	Description	Price Each
1	70220-004216	360CTLID	Octave Meter Lid	30.00
2	70220-011570	360CTOUTPUTCOVER	Octave Output Module Cover	Call
	70220-060400	360CTOUTPUTPUL	Octave Output Module, Pulse, Default Option, 2 Ch, Shared Common	375.00
	70220-060410	360CTOUTPUTSSR	Octave Output Module, Pulse, Solid State Relay, 2 Ch, Isolated Common	566.00
	70220-002410	360CTOUTPUTDRY	Octave Output Module, Pulse, Dry Contact Relay, 2 Ch, Isolated Common	566.00
	70220-011575	360CTOUTPUTANG	Octave Output Module, Analog, 4-20 mA Loop Powered 12v or 24v DC	576.00
	70240-014001	360CTOUTMODBUS	Octave Output Module, Modbus	566.00
3	70220-000470	360CTNFCCOMMKIT	NFC PROGRAMMING KIT	363.00
4	70261-000155	36TAMPERBOLT5/8	TAMPER BOLT KIT 5/8 X 3.5 IN	51.00
	70261-000150	36TAMPERBOLT3/4	TAMPER BOLT KIT 3/4 X 4.5 IN	51.00
	-	36TAMPERBOLT7/8	TAMPER BOLT KIT 7/8 X 5 IN	Call

# WATER METERS

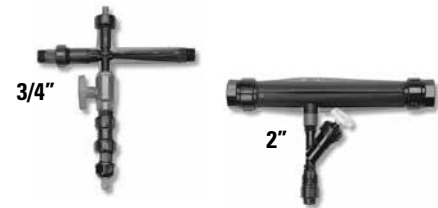
## FERTILIZER METERS

Item Number	Model Number	Size	Body Material	Minum Flow (GPM)	Maximum Flow (GPM)	Gallons/ Pulse	Connection	Price Each
70261-011000	36FM.75RG.1	3/4"	Plastic	0.3	2.2	1.0	Threaded	504.00
70261-011030	36FM.75RG1							504.00
70261-011300	36FM1RG1	1"	PVC	1.8	44	1.0	Threaded	1,281.00



## FERTILIZER INJECTORS

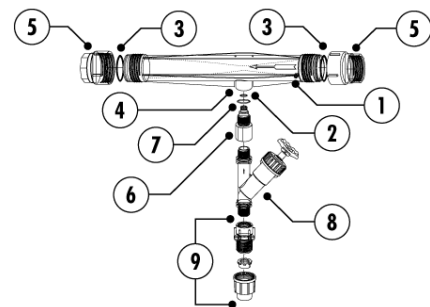
Item Number	Model Number	Size	Body Material	Connection	Price Each
33000-001300	28VFPF75	3/4"	Plastic	Threaded	291.00
33000-001400	28VFPD212N	2"	Plastic	Threaded	312.00



## 2" FERTILIZER METER PARTS

Non-stock, special order parts

Key	Item Number	Model Number	Description	Price Each
1	33020-005500	2822V38	Bolt for Body	7.10
2	33020-006100	2822V45	Viton O-Ring 0.15	34.00
3	33020-006200	2822V46	O-Ring	28.00
4	33020-006500	2822V50	Diffuser	167.00
5	33020-006700	2822V52	Coupling	71.00
6	33020-007300	2822V58	Valve Stem Spindle	125.00
7	33020-007500	2822V60	Viton O-Ring 813	26.00
8	33020-007550	2822V62	3/4" Check Valve/Shut Off	34.00
9	75040-006200	594026207	Connector (20 mm x 3/4" F)	3.30





# WATER METERS



## HYDROMETERS

(N)

Item Number	Model Number	Size	Register	Units	Pulse Rate	Min-Max Flow (GPM)	Connection	Price Each
70261-014050	36H1.5RG1	1.5" Iron	Reed Switch	Gallons	1	4.4-55	Male Thread Union	1,508.00
70261-014060	36H1.5PG.0053		Photo Diode	Gallons	0.0053			1,575.00
70261-001102	36H1.5EG*		Electronic	USG-GPM	*			2,320.00
70261-014200	36H2RG1	2" Iron	Reed Switch	Gallons	1	20-95	Female Thread	1,508.00
70261-014215	36H2PG.0085		Photo Diode	Gallons	0.0085			1,846.00
-	36HM2EG*		Electronic	USG-GPM	*			2,590.00
70261-014630	36H3RG1	3" Iron	Reed Switch	Gallons	1	53-220	Flange	2,302.00
70261-014640	36H3PG.0205		Photo Diode	Gallons	0.0205			2,372.00
-	36H3EG*		Electronic	USG-GPM	*			3,115.00
70261-015105	36H4RG1	4" Iron	Reed Switch	Gallons	1	79-380	Flange	3,795.00
70261-015107	36H4PG.0566		Photo Diode	Gallons	0.0566			3,860.00
-	36HM4EG*		Electronic	USG-GPM	*			4,603.00
70261-015550	36H6RG100	6" Iron+	Reed Switch	Gallons	10	198-860	Flange	7,010.00
-	36HM6PG.1739		Photo Diode	Gallons	0.1739			7,078.00
-	36HM6EG*		Electronic	USG-GPM	*			7,821.00
70261-015840	36H8RG10	8" Iron+	Reed Switch	Gallons	10	357-1500	Flange	9,978.00
-	36HM8FG.3173		Photo Diode	Gallons	0.3173			10,050.00
-	36HM8EG*		Electronic	USG-GPM	*			10,793.00



Reed Switch



Electronic Register



Photo Diode

# WATER METERS

## HYDROMETER CONTROL OPTIONS

(N)

Function	Function Code	1.5" & 2"			3"		
		Reed Switch	Photo Diode	Electronic	Reed Switch	Photo Diode	Electronic
Manual	M	1,629.00	1,701.00	2,223.00	2,302.00	2,372.00	3,017.00
Manual, 24VAC Normally Closed Valve	MAC	1,806.00	1,881.00	2,387.00	2,446.00	2,537.00	3,182.00
Manual, 24VAC Normally Open Valve	MAO						
Manual, Pressure Reducing	MR(Y,G,R)	1,934.00	2,011.00	2,507.00	2,557.00	2,648.00	3,294.00
Manual, 24VAC Normally Closed Valve Pressure Reducing	MACR(Y,G,R)	2,121.00	2,193.00	2,679.00	2,759.00	2,827.00	3,475.00
Manual, 24VAC Normally Open Valve Pressure Reducing	MAOR(Y,G,R)						
Manual, Pressure Sustaining	MS(Y,G,R)	2,004.00	2,084.00	2,571.00	2,653.00	2,723.00	3,370.00
Manual, 24VAC Normally Closed Valve Pressure Sustaining	MACS(Y,G,R)	2,198.00	2,278.00	2,750.00	2,835.00	2,905.00	3,552.00
Manual, 24VAC Normally Open Valve Pressure Sustaining	MAOS(Y,G,R)						

\*Yellow Pilot Spring 7 – 30 psi, Green Pilot Spring X – Y psi, Red Pilot Spring Y – Z psi.

## HYDROMETER CONTROL OPTIONS

(N)

Function	Function Code	4"			6"			8"		
		Reed Switch	Photo Diode	Electronic	Reed Switch	Photo Diode	Electronic	Reed Switch	Photo Diode	Electronic
Manual	M	3,795.00	3,860.00	4,509.00	7,078.00	7,151.00	7,794.00	9,978.00	10,050.00	10,694.00
Manual, 24VAC Normally Closed Valve	MAC	3,953.00	4,023.00	4,668.00	7,400.00	7,472.00	8,116.00	10,299.00	10,370.00	11,015.00
Manual, 24VAC Normally Open Valve	MAO									
Manual, Pressure Reducing	MR(Y,G,R)	4,070.00	4,138.00	4,785.00	8,031.00	8,102.00	8,746.00	10,930.00	10,997.00	11,664.00
Manual, 24VAC Normally Closed Valve Pressure Reducing	MACR(Y,G,R)	4,246.00	4,314.00	4,963.00	8,353.00	8,423.00	9,068.00	11,251.00	11,321.00	11,968.00
Manual, 24VAC Normally Open Valve Pressure Reducing	MAOR(Y,G,R)									
Manual, Pressure Sustaining	MS(Y,G,R)	4,141.00	4,211.00	4,857.00	8,031.00	8,102.00	8,746.00	10,930.00	10,997.00	11,664.00
Manual, 24VAC Normally Closed Valve Pressure Sustaining	MACS(Y,G,R)	4,320.00	4,393.00	5,035.00	8,353.00	8,423.00	9,068.00	11,252.00	11,321.00	11,968.00
Manual, 24VAC Normally Open Valve Pressure Sustaining	MAOS(Y,G,R)									

\*Yellow Pilot Spring 7 – 30 psi, Green Pilot Spring X – Y psi, Red Pilot Spring Y – Z psi.

# WATER METERS

## HYDROMETER REPLACEMENT REGISTERS

(N)

Item Number	Model Number	Meter Size	Register Code	Gallons/ Pulse	Price Each
70261-001115	36H1.5RG1R	1 1/2"	Pulse Reed Switch	1.0	318.00
70261-001085	36H1.5PG.0053R		Photo Diode	0.0053	391.00
70261-001104	36H1.5EG.1R		ER Digital w/Output Mod	-	1,136.00
70261-001174	36H2RG1R	2"	Pulse Reed Switch	1.0	318.00
70261-001172	36H2PG.0085R		Photo Diode	0.0085	391.00
70261-001169	36H2EG.1R		ER Digital w/Output Mod	-	1,136.00
70220-020410	36H3RG1R	3"	Pulse Reed Switch	1.0	318.00
70261-001218	36H3PD.0205R		Photo Diode	0.0205	391.00
70261-001204	36H3EG.1R		ER Digital w/Output Mod	-	1,136.00
70261-001337	36H4RG1R	4"	Pulse Reed Switch	1.0	318.00
70261-001187	36H4PG.0566R		Photo Diode	0.0566	391.00
70261-001338	36H4EG10R		ER Digital w/Output Mod	-	1,136.00
70261-001415	36H6RG10R	6"	Pulse Reed Switch	10	318.00
70261-001418	36H6PG.1739R		Photo Diode	0.1739	391.00
70261-001414	36H6EG10R		ER Digital w/Output Mod	-	1,136.00
70261-008450	36H8RG10R	8"	Pulse Reed Switch	10	318.00
70261-001588	36H8PG.3173R		Photo Diode	0.3173	391.00
-	36H8EG100R		ER Digital w/Output Mod	-	1,136.00



Reed Switch



Electronic Register



Photo Diode

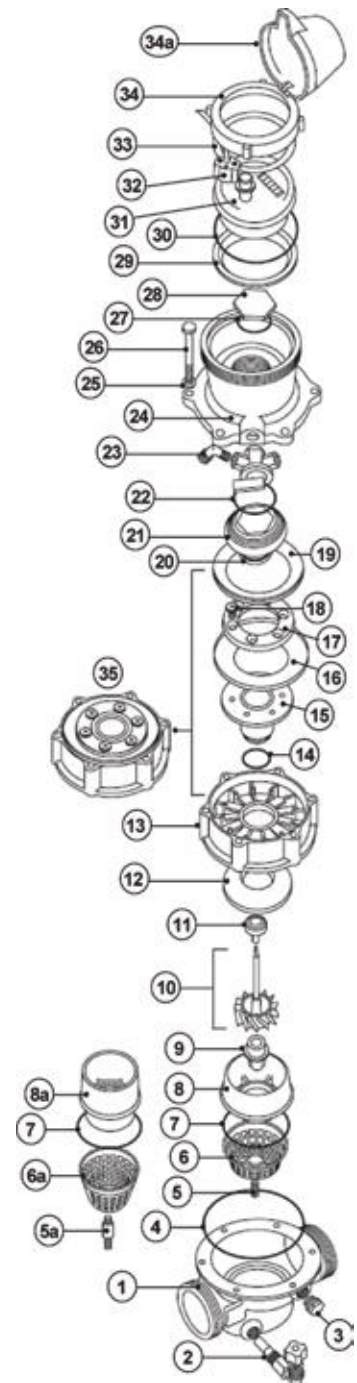
# WATER METERS

## HYDROMETER PARTS

1 1/2" and 2" Sizes

(N)

Key	Item Number	Model Number	Description	Price Each
1	-	36HM1.5TF-BODY	Body 1 1/2"	Call
	-	36HM2TG-BODY	Body 2"	Call
2	71680-014160	61SF25B	Finger Strainer 1/4" x 1/8"	84.00
3	-	3621031009	Plug	7.70
4	70220-009322	3620600809	Base O-Ring	4.20
5	-	3621281209	Inlet Spider Screw for 1 1/2"	20.00
5a	70220-009747	3621280709	Inlet Spider Screw for 2"	27.00
6	-	3625442209	Strainer for 1 1/2"	4.20
6a	70220-010817	3625442409	Strainer for 2"	4.20
7	-	3620613909	Inlet Spider O-Ring	0.96
8	70220-009055	3625040109	Inlet Spider for 1 1/2"	54.00
8a	70220-009060	3625040409	Inlet Spider for 2"	77.00
9	70220-009715	3620312119	Inlet Spider Nut	87.00
10	70220-009080	3623720459	Impeller Assembly for 1 1/2"	208.00
	70220-009100	3623741929	Impeller Assembly for 2"	162.00
11	70220-005593	3620930119	Magnet Housing Assembly for 1 1/2"	37.00
	70220-005595	3620930129	Magnet Housing Assembly for 2"	43.00
12	70220-009309	3623020219	Stem Gasket Assembly	143.00
13	-	3624510509	Base	127.00
14	70220-009795	3620601709	Stem O-Ring	3.50
15	-	3624602019	Stem Assembly	443.00
16	70220-004950	3620625309	Membrane	83.00
17	70220-002671	3623040809	Membrane Washer	86.00
18	-	3621313509	Stem Screw	0.77
19	-	3623145709	Membrane Support Ring	12.00
20	70220-005070	3620610009	Central Bushing O-Ring	0.77
21	-	3628520509	Central Bushing	40.00
22	70220-009798	3620600609	Cover O-Ring	0.77
23	71610-036000	62SV21/8M	3-Way Selector Valve	64.00
24	-	3625270669	Cover	319.00
25	-	3623020109	Cover Screw Washer	0.77
26	-	3621040709	Cover Screw	6.40
27	70220-009760	3620612709	Upper Bearing O-Ring	0.97
28	70220-009555	3621140029	Upper Bearing Screw	202.00
29	70220-010510	3623123509	Register Pressure Ring	7.20
30	70220-010550	36REGISTERORING	Register O-Ring	5.70
31	-	See 'Hydrometer Replacement Registers' for options		
32	70220-005300	36RSGREY	Pulse Reed Switch	98.00
33	70220-010610	36SLIDINGRING	Sliding Ring	3.40
34	70220-011650	3625824629	Dust Cover Assembly	50.00
34a	70220-004220	36DUSTCOVER	Dust Cover Only	27.00
35	70220-009320	3624510519	Base Assembly	714.00



\*See Electronic Register option on previous page to accommodate tamper proof wire

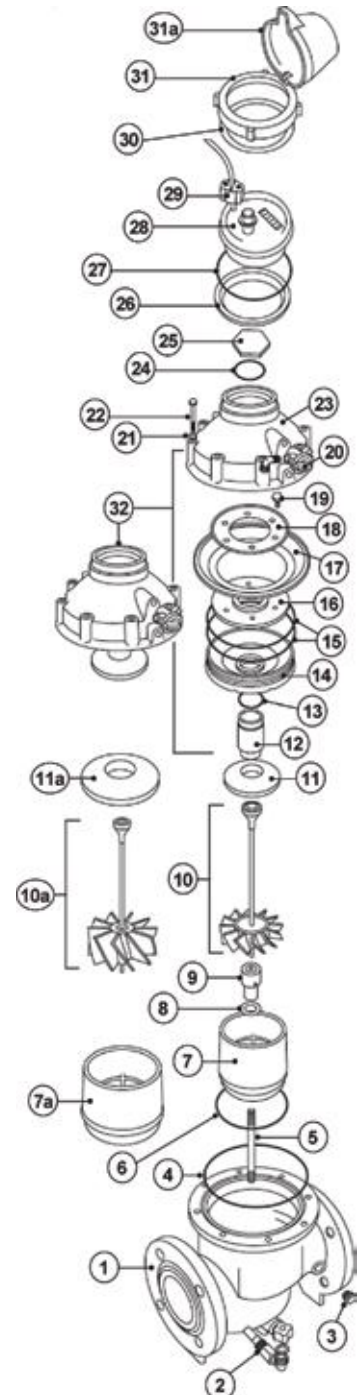
# WATER METERS

## HYDROMETER PARTS

3" and 4" Sizes

(N)

Key	Item Number	Model Number	Description	Price Each
1	-	36HM3FG-BODY	Body 3"	Call for Price
	70261-009310	36HM4FG-BODY	Body 4"	1,352.00
2	71680-014160	61SF25B	Finger Strainer	84.00
3	-	3621031009	Plug	7.70
4	-	3620612409	Base O-Ring	4.80
5	70220-009745	3621280809	Inlet Spider Screw for 3"	43.00
	70220-009730	3621281009	Inlet Spider Screw for 4"	43.00
6	70220-009735	3620613109	Inlet Spider O-Ring for 3"	1.90
	70220-009740	3620613709	Inlet Spider O-Ring for 4"	8.10
7	70220-009235	3625041320	Inlet Spider for 3"	88.00
7a	70220-009237	3625041420	Inlet Spider for 4"	160.00
8	70220-009720	3623022609	Bearing Nut Ring	12.00
9	70220-009700	3620312219	Bearing Nut	88.00
10	70220-009200	3623743239	Impeller Assembly for 3"	317.00
10a	70220-009220	3623741639	Impeller Assembly for 4"	317.00
11	70220-002665	36H3STEMGASK	Stem Gasket Assembly for 3"	251.00
11a	70220-002695	36H4STEMGASK	Stem Gasket Assembly for 4"	158.00
12	-	3624602109	Stem	274.00
13	-	3620614109	Stem O-Ring	1.20
14	-	3624510409	Base	158.00
15	-	3620602209	Base O-Ring	7.30
16	-	3623020809	Membrane Support Ring	341.00
17	70220-004970	36H3MEMBRANE	Membrane	86.00
18	-	3623120209	Membrane Ring	113.00
19	-	3621410409	Stem Screw	2.40
20	71610-036000	62SV21/8M	3-Way Selector Valve	64.00
21	-	3623022809	Cover Screw Washer	0.77
22	-	3621040509	Cover Screw	8.60
23	-	3625230969	Cover	562.00
24	70220-009760	3620612709	Upper Bearing O-Ring	0.97
25	70220-009555	3621140029	Upper Bearing Screw	202.00
26	70220-010510	3623123509	Register Pressure Ring	7.20
27	70220-010550	36REGISTERORING	Register O-Ring	5.70
28	70220-005300	36RSGREY	Pulse Reed Switch	98.00
29	70220-010610	36SLIDINGRING	Sliding Ring	3.40
30	70220-010650	36DUSTCOVERASSY	Dust Cover Assembly	50.00
31	70220-004220	36DUSTCOVER	Dust Cover Only	27.00
31a	70261-017300	36HM4-HEAD	Cover Assembly	834.00



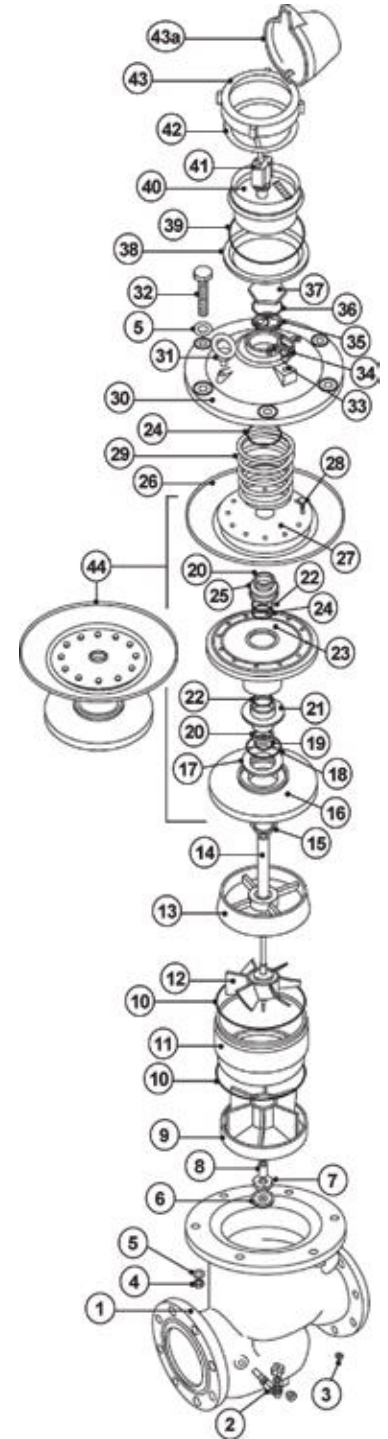
# WATER METERS

## HYDROMETER PARTS

6" Size

(N)

Key	Item Number	Model Number	Description	Price Each
1	-	36HM6FG-BODY	Body 6"	Call
2	71680-014000	61SF25SB	Finger Strainer Brass Long 1/4" x 1/4"	84.00
3	-	3621031009	Plug	7.70
4	-	3620382409	Nut	25.00
5	-	3623022709	Washer	4.20
6	70220-009867	3620280709	Inlet and Outlet Cap	11.00
7	70220-009865	3620180109	Inlet Spider Screw	5.90
8	70220-009690	3621331419	Lower Bearing Screw	121.00
9	70220-009877	3625045110	Inlet Spider	96.00
10	70220-009793	3620611209	O-Ring	24.00
11	70220-009878	3626250109	Inlet Adapter Pipe	1,390.00
12	-	3623742719	Impeller	989.00
13	70220-009863	3624510609	Sealing Ring Base	709.00
14	70220-009872	3624624809	Stem	246.00
15	70220-009881	3620338009	Stem Locking Nut	373.00
16	-	3623024710	Closing Disc	566.00
17	-	3623024109	Supporting Disc	72.00
18	70220-000018	3620615209	O-Ring	1.90
19	-	3623122509	Wiper Holding Ring	27.00
20	-	3624616209	Wiper	160.00
21	-	3628400809	Stem Bushing	119.00
22	70220-000021	3620615309	Stem O-Ring	1.20
23	70220-009875	3624602339	Stem	1,453.00
24	70220-005150	3620612209	Stem Bearing O-Ring	7.90
25	-	3624903709	Stem Upper Bearing	86.00
26	-	3620627509	Membrane	388.00
27	-	3623024859	Stem Disc	100.00
28	-	3621410409	Screw	2.40
29	70220-009879	3627446009	Membrane Spring	131.00
30	-	3625223079	Cover	1,323.00
31	-	3621482709	Stem Screw	46.00
32	-	3621082309	Cover Screw	83.00
33	-	3625602709	Bushing	25.00
34	71610-036100	62SV41/4M	3-Way Selector Valve	128.00
35	-	3620330009	Central Bar Nut	142.00
36	70220-009760	3620612709	Upper Bearing O-Ring	0.97
37	-	3621430019	Upper Bearing Screw	326.00
38	70220-010510	3623123509	Register Pressure Ring	7.20
39	70220-010550	36REGISTERORING	Register O-Ring	5.70
40	-	See 'Hydrometer Replacement Registers' for options		
41	70220-005300	36RSGREY	Pulse Reed Switch	98.00
42	70220-010610	36SLIDINGRING	Sliding Ring	3.40
43	70220-011650	3625824629	Dust Cover Assembly	50.00
43a	70220-004220	36DUSTCOVER	Dust Cover Only	27.00
44	70220-009875	3624602339	Stem Assembly	1,453.00
-	70220-005640	36HMT00LUBS1.5-8	Tool to Open Upper Bearing Screw (1.5"-8")	372.00
-	70220-005645	36HMT00LCBN6-8	Tool to Open Central Bar Nut (6" to 8")	2,193.00



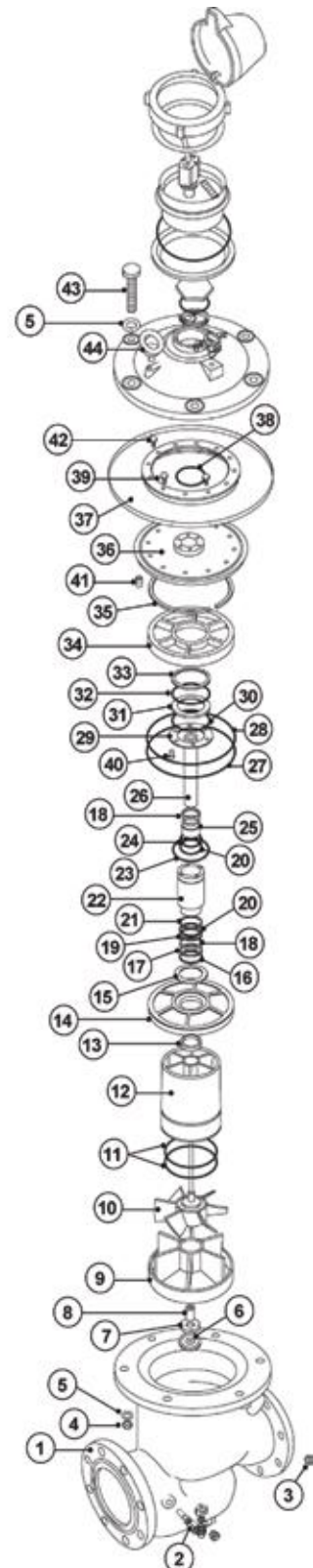
# WATER METERS

## HYDROMETER PARTS

8" Size

(N)

Key	Item Number	Model Number	Description	Price Each
1	-	36HM8FG-BODY	Body 8"	Call
2	71680-014000	61SF25SB	Finger Strainer Brass Long 1/4" x 1/4"	84.00
3	-	3621031009	Plug	7.70
4	-	3620382409	Nut	25.00
5	-	3623022709	Washer	4.20
6	70220-009867	3620280709	Inlet and Outlet Cap	11.00
7	70220-009865	3620180109	Inlet Spider Screw	5.90
8	-	3621381419	Lower Bearing Screw	268.00
9	-	3625046309	Inlet Spider	127.00
10	70220-009222	3623740979	Impeller	894.00
11	70220-000017	3620608609	O-Ring	24.00
12	-	3626258709	Inlet Adapter Pipe	4,538.00
13	70220-009881	3620338009	Stem Locking Nut	373.00
14	70220-005170	3623024210	Closing Disc	435.00
15	-	3623024109	Supporting Disc	72.00
16	70220-000018	3620615209	O-Ring	1.90
17	-	3623122509	Wiper Holding Ring	27.00
18	-	3624616209	Wiper	160.00
19	-	3624903609	Stem Bottom Bearing	12.00
20	70220-000020	3620609809	Stem Bearing O-Ring	1.20
21	-	3624903509	Stem Bottom Bearing	59.00
22	-	3624602709	Stem	1,663.00
23	70220-000019	3620606809	O-Ring	4.20
24	70220-000021	3620615309	O-Ring	1.20
25	-	3624903709	Stem Upper Bearing	86.00
26	-	3624616109	Central Bar	464.00
27	70220-000022	3620609709	O-Ring	19.00
28	70220-000023	3620609609	O-Ring	34.00
29	-	3623148709	Lower Chamber Ring	86.00
30	70220-000024	3620619609	O-Ring	9.60
31	-	3624627509	Lower Chamber Wiper	515.00
32	70220-000025	3620618609	O-Ring	9.60
33	-	3624906109	Lower Chamber Bearing	40.00
34	-	3623026459	Lower Chamber Disc	451.00
35	-	3623138609	Lower Chamber Locking Ring	688.00
36	-	3623024959	Stem Disc	675.00
37	-	3620628609	Membrane	506.00
38	70220-005150	3620612209	O-Ring	7.90
39	-	3621010309	Stem Screw	2.70
40	-	3621410409	Cap Screw	2.40
41	-	3621486209	Tightening Screw	2.70
42	-	3621410410	Screw	2.70
43	-	3621086109	Cap Screw	97.00
44	-	3621482709	Stem Screw	46.00



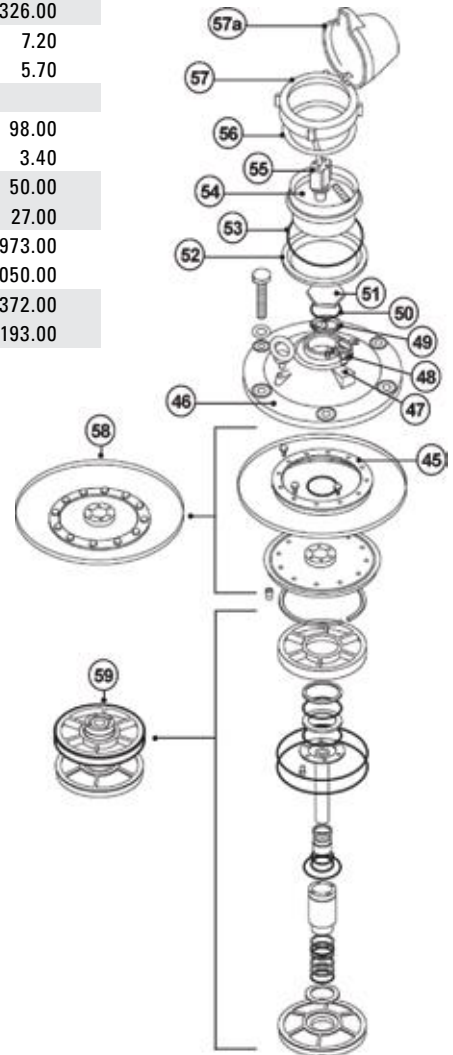
# WATER METERS

## HYDROMETER PARTS

8" Size

(N)

Key	Item Number	Model Number	Description	Price Each
45	-	3623026309	Membrane Disc	693.00
46	-	3625226869	Cover	2,008.00
47	-	3625602709	Bushing	25.00
48	71610-036100	62SV41/4M	3-Way Selector Valve	128.00
49	-	3620330009	Central Bar Nut	142.00
50	70220-009760	3620612709	Upper Bearing O-Ring	0.97
51	-	3621430019	Upper Bearing Screw	326.00
52	70220-010510	3623123509	Register Pressure Ring	7.20
53	70220-010550	36REGISTERORING	Register O-Ring	5.70
54	-	See 'Hydrometer Replacement Registers' for options		
55	70220-005300	36RSGREY	Pulse Reed Switch	98.00
56	70220-010610	36SLIDINGRING	Sliding Ring	3.40
57	70220-011650	3625824629	Dust Cover Assembly	50.00
57a	70220-004220	36DUSTCOVER	Dust Cover Only	27.00
58	-	3620628619	Membrane Assembly	1,973.00
59	-	3624602829	Stem Assembly	6,050.00
-	70220-005640	36HMTTOOLUBS1.5-8	Tool to Open Upper Bearing Screw (1.5"-8")	372.00
-	70220-005645	36HMTTOOLCBN6-8	Tool to Open Central Bar Nut (6" to 8")	2,193.00





# WATER METERS

## HYDROMETER SOLENOIDS

(N)

Item Number	Model Number	Description	Price Each
70220-006080	36SOLNO-024-3.5	Normally Open (N.O.) 24VAC Brass Solenoid - Wire Leads	262.00
70220-006085	36SOLNC-024-3.5	Normally Closed (N.C.) 24VAC Brass Solenoid - Wire Leads	262.00
70220-006086	36COIL-024-3.5	Coil Only 24VAC	141.00

## HYDROMETER PILOTS

(N)

Item Number	Model Number	Description	Price Each
70220-001700	36PIL29117GRY	Pressure Reducing Plastic Black Pilot 29-117 psi Gray Spring	327.00
70220-001775	36PIL14-44-G	Pressure Reducing Plastic Black Pilot 14-44 psi Green Spring	327.00
70220-001560	36PIL5-26-B	Pressure Reducing Plastic Black Pilot 5-26 psi Blue Spring	327.00
71680-001200	61PIL31310-G	Pressure Reducing & Sustaining Brass Pilot 14-90 psi Green Spring	930.00
71680-001210	61PIL31310-R	Pressure Reducing & Sustaining Brass Pilot 30-130 psi Red Spring	930.00
-	61PIL31310-B	Pressure Reducing & Sustaining Brass Pilot 100-285 psi Black Spring	948.00

## HYDROMETER PILOT SPRINGS

(N)

Item Number	Model Number	Description	Price Each
-	36SPP1001	Plastic Pilot Spring Gray 29-117 psi	35.00
-	36SPP1002	Plastic Pilot Spring Green 14-44 psi	35.00
-	36SPP1003	Plastic Pilot Spring Blue 5-26 psi	35.00
71680-010550	61SPP2047	Brass Pilot Spring Green 14-90 psi	56.00
71680-010500	61SPP2050	Plastic Pilot Spring Red 30-130 psi	74.00
71680-010650	61SPP2076	Plastic Pilot Spring Black 100-285 psi	72.00

# WATER METERS



①



②



③



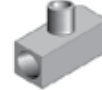
④



⑤



⑥



⑦



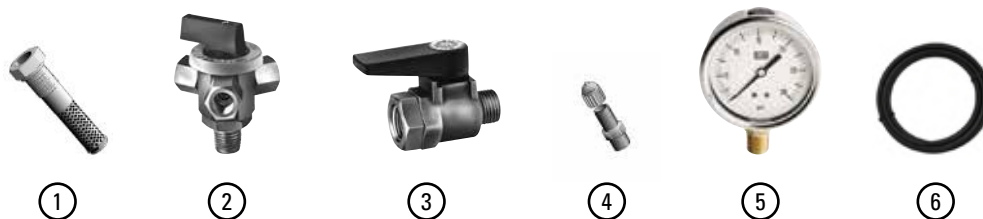
⑧

## HYDROMETER FITTINGS

①

Key	Item Number	Model Number	Description	Bag Qty	Price Each
1	76400-002110	55P4684802-B	Plastic Male Connector 8 mm x 1/8"	10	39.30
	76400-002310	55P4684804-B	Plastic Male Connector 8 mm x 1/4"	10	39.30
2	70220-002400	3624235309	Plastic Female Connector 8 mm x 1/4" (Pilot x 8 mm)	1	12.00
3	76400-001310	55P4624800-B	Plastic Union Connector 8 mm x 8 mm	10	62.60
4	76400-001210	55P4564846-B	Plastic Reducing Connector 8 mm x 6 mm	10	62.60
5	76400-003410	55P4694802-B	Plastic Male 90° Elbow 8 mm x 1/8"	10	59.40
	76400-003503	55P4694804-B	Plastic Male 90° Elbow 8 mm x 1/4"	10	59.40
6	76400-004505	55P4714804-B	Plastic Male Branch Tee 8 mm x 1/4" x 8 mm	10	75.30
	76400-004410	55P4714802-B	Plastic Male Branch Tee 8 mm x 1/8" x 8 mm	10	78.50
-	78301-003800	55B216P2	Brass Hex Nipple 1/8"	1	3.00
7	78301-002500	55B2225P4	Brass Street Tee 1/4" x 1/4"	1	23.00
8	78301-003300	55B209P42	Brass Bushing 1/4" M x 1/8" F	1	3.50
-	78301-004600	55B222P44	Brass Adapter 1/4" M x 1/4" F	1	6.30
-	78301-004500	55B222P42	Brass Adapter 1/4" F x 1/8" M	1	7.20

# WATER METERS



## HYDROMETER ACCESSORIES

(N)

Key	Item Number	Model Number	Description	Price Each
1	71680-014160	61SF25B	Brass Finger Strainer 1/4" x 1/8" (1.5" to 4" Sizes)	84.00
-	71680-014000	61SF25SB	Brass Finger Strainer Long 1/4" x 1/4" (6" to 8" Sizes)	84.00
2	71610-036000	62SV21/8M	3-Way Selector Valve 1/8" x 1/8"	64.00
	71610-036100	62SV41/4M	3-Way Selector Valve 1/4" x 1/4"	128.00
3	71610-035600	62SBV25	Ball Valve Brass 1/4"	46.00
4	76601-001050	61APS1/8	Shrader Valve	7.20
5	00110-001750	6809020-30	Pressure Gauge 0-30 psi	91.00
6	00110-001790	6809020-100	Pressure Gauge 0-100 psi	91.00
	00110-001810	6809020-160	Pressure Gauge 0-160 psi	91.00
7	40001-000400	15CONT-8	Control Tubing 8 mm 1000' coil	220.00
	40001-000383	15CONT8C100	Control Tubing 8 mm 100' coil	33.30
	40001-000382	15CONT8C50	Control Tubing 8 mm 50' coil	19.00
	40001-000381	15CONT8C10	Control Tubing 8 mm 10' coil	12.40
-	70220-005635	36HMT00LSG1.5-4	Tool to Open Stem Gasket (1.5"-4" sizes)	2,139.00
-	70220-005640	36HMT00LUBS1.5-8	Tool to Open Upper Bearing Screw (1.5"-8")	372.00
-	70220-005645	36HMT00LCBN6-8	Tool to Open Central Bar Nut (6" to 8")	2,193.00

**NETAFIM USA**  
5470 E. HOME AVE.  
FRESNO, CA 93727  
CS: 888 638 2346  
[WWW.NETAFIMUSA.COM](http://WWW.NETAFIMUSA.COM)



Precision  
Agriculture

