

# DIGITAL FARMING PRICE LIST

UPDATED: NOVEMBER 22, 2024



Precision  
Agriculture



# TABLE OF CONTENTS

	<a href="#">Terms and Conditions</a>	<a href="#">3</a>
	<a href="#">Product Warranty</a>	<a href="#">9</a>
	<a href="#">Ordering Information</a>	<a href="#">10</a>
<b>NEW</b>	<a href="#">GrowSphere One</a>	<a href="#">11</a>
<b>NEW</b>	<a href="#">GrowSphere Max</a>	<a href="#">12</a>
	<a href="#">Weather Station, Sensors, and Accessories</a>	<a href="#">13</a>
	<a href="#">Telemetry</a>	<a href="#">15</a>
	<a href="#">EC/pH</a>	<a href="#">17</a>
	<a href="#">FertiOne Plus</a>	<a href="#">18</a>
<b>NEW</b>	<a href="#">FertiKit 5G SP</a>	<a href="#">20</a>
	<a href="#">FertiKit 3G SP (Metric)</a>	<a href="#">22</a>
	<a href="#">NetaFlex 3G</a>	<a href="#">24</a>
	<a href="#">NMC Pro Irrigation Controller</a>	<a href="#">27</a>
	<a href="#">NMC Junior Pro Irrigation Controller</a>	<a href="#">30</a>
	<a href="#">NMC DC Irrigation Controller</a>	<a href="#">32</a>
	<a href="#">Components</a>	<a href="#">34</a>
	<a href="#">NUF®</a>	<a href="#">35</a>
	<a href="#">Nutrisolve</a>	<a href="#">37</a>
	<a href="#">Commissioning Fees</a>	<a href="#">39</a>

# TERMS AND CONDITIONS

These Terms and Conditions (“Terms”) shall apply to the sale of all products supplied (“Products”) by Netafim Irrigation Inc. (“Netafim USA”) to a purchaser (the “Buyer”). These Terms shall govern such sale of Products and together with the Freight Terms, the product warranty, and Netafim USA’s written order confirmation and/or Netafim USA’s invoice (together, the “Commercial Documents”) shall constitute the entire Agreement (“Agreement”) between the Parties for the purpose of such sale. Any additional, different, or conflicting terms are hereby rejected, unless otherwise agreed in a signed contract by Netafim USA.

## PRICING

All prices shown are recommended retail prices. Wholesale prices are net prices discounted from list prices. All prices are subject to change without notice. No prices are firm until Netafim USA sends Buyer an order confirmation or invoice. Notwithstanding the preceding sentence, Netafim reserves the right to re-price Products to the then-current price when Products ship if: (1) Buyer schedules delivery of the Products more than 90 days from the date of order confirmation, (2) Buyer does not take delivery of the Products within 15 days of the originally requested shipping date and the Products are available for delivery, (3) Buyer does not take delivery within 15 days of the date the Buyer is notified that the Products are available for delivery, or (4) a Force Majeure Event substantially increases the cost or decreases the availability of a Product or a material input for that Product. Prices do not include taxes, freight or handling, or other surcharges. If appropriate, such charges will be billed separately on the invoice.

## PRODUCT CLASSIFICATION

Netafim USA’s Digital Farming Price List represents our most commonly ordered Products as well as some reference to options, which may be available. If you have a product requirement for something you do not see listed, please call Customer Service for availability, price, and delivery times.

## PAYMENT TERMS

All invoices are payable in United States Dollars at net thirty (30) days from the date of invoice, unless otherwise agreed in writing. All past due balances will be assessed a monthly finance charge of eight-tenths of one percent (0.8%), or the highest amount allowed by law, whichever is less. All Payments made by the Buyer under these Terms shall be made in full without any deduction, set-off or counterclaim whatsoever. Any check or remittance received from or for the account of Buyer may be accepted and applied by Netafim USA against any debt owed by Buyer to Netafim USA without prejudice to or the discharge of the remainder of such indebtedness of any condition, provision, statement, legend, or notation appearing on or referring to or accompanying such check or remittance. Netafim USA will not accept any payment less than the entire debt as accord and satisfaction of such indebtedness except upon Netafim USA’s signed, written agreement.

## ACCOUNT STATUS

All orders are subject to credit review. Order processing and/or shipments may be held until Buyer’s account is current.

## MINIMUM ORDER

The minimum order amount for standard (stocked) products is one hundred dollars (\$100). A twenty-dollar (\$20) per order charge will be assessed on all Product orders less than the one-hundred-dollar (\$100) minimum. Non-standard items such as extruded products with special flows or pricing, or Products with unusual features, may have different minimum order requirements. See the price list for order minimums.

## SPECIAL ORDERS

We will work with you on any Special Order, Make-to-Order, or Custom requests. In the case of Special Orders or Custom requests, prices and delivery will be quoted, and the order may not be eligible for cancellation or return. Also, Special Orders or Custom requested products, manufactured or ordered to “non- standard” specifications, at Netafim USA’s discretion, may be shipped immediately upon availability. If accepted by Netafim USA, an order for Make-to-Order Products will not be produced until Buyer has provided a delivery date and shipping location to Netafim USA. Once the Product is manufactured, Buyer must authorize shipment of the Product within 15 days from the date originally requested for shipment. Returns of Make-to-Order Products are handled as listed below.

# TERMS AND CONDITIONS

## **ORDER CANCELLATIONS**

Buyer may not cancel an order unless such cancellation is expressly agreed to in writing by Netafim USA. Netafim has no obligation to cancel an order for Non-Standard, Make-to-Order, Custom or Special-Order Products after the Products have been manufactured, or received from a vendor, or a non-cancellable purchase commitment has been entered into with a vendor. If Netafim, at its sole discretion, agrees to cancel such an order, upon cancellation the Buyer may be charged 50% or more of the order value based on how saleable the Products are.

## **PRODUCT CHANGES**

Netafim USA reserves the right to redesign, alter, or modify its Products at any time, without notice. Any catalog, design manual, price sheets, and/or other written material are subject to withdrawal or change at any time without prior notice. Possession of the current catalog or price sheets does not constitute an offer to sell.

## **PRODUCT INSTALLATION**

Unless otherwise agreed by Netafim USA, Netafim USA does not provide advice or assistance in the installation of the Products by the Buyer or any third party.

## **BAGGED PRODUCTS**

Netafim USA has a number of Products that are packaged and sold in bagged or case quantities. Bagged parts are designated by placing a "-B" at the end of the product number. The quantities have been developed to provide the best value for the most standard quantities ordered and are intended for sale in the quantities listed. Order quantities will be rounded up to the nearest bag or case quantity at Netafim's discretion. Buyer can verify part numbers and quantities being ordered by using the Netafim Dealer Portal or the Netafim price list. Netafim USA shall not be held liable for the impact of Buyer mistakes in order quantities due to incorrect part numbers or quantities not matching bagged or case quantities.

## **ACCEPTANCE**

The Buyer acknowledges its responsibility for inspecting all Products shipped by Netafim USA to determine whether said Products are in conformity with Buyer's order, including whether all Products listed on the packing list have been shipped and whether the shipment contains any damaged Products. The Buyer agrees that fourteen (14) days from receipt of each shipment is a reasonable time in which to perform the inspection and notify Netafim USA of any nonconformity. If Netafim USA has not received a written notice of nonconformity within fourteen (14) days of the Buyer's receipt of the shipment, the Buyer hereby agrees that the Products shall be deemed to be accepted by the Buyer, as that term is defined by the California Commercial Code. To avoid any doubt, the Buyer's right to reject the shipment will be terminated. Also, if a written notice of nonconformity is not received within fourteen (14) days of the Buyer's receipt of the shipment, Netafim USA will be relieved of any obligation concerning the shipment, other than warranty obligations, and the Buyer will pay for the shipment in full. The Buyer shall bear the complete cost of the inspection in all circumstances. The Buyer agrees that Netafim USA will have an opportunity to cure any nonconforming shipment. The Buyer further agrees that, in the event that a notice of nonconformity is received by Netafim USA, the time for Netafim USA's performance under the Agreement will be extended for a reasonable time to allow Netafim USA to tender conforming Products or make reasonable repairs.

## **ORDER CANCELLATIONS**

Buyer may not cancel an order unless such cancellation is expressly agreed to in writing by Netafim USA. Netafim has no obligation to cancel an order for Non-Standard, Make-to-Order, Custom or Special-Order Products after the Products have been manufactured, or received from a vendor, or a non-cancellable purchase commitment has been entered into with a vendor. If Netafim, at its sole discretion, agrees to cancel such an order, upon cancellation the Buyer may be charged 50% or more of the order value based on how saleable the Products are.

## **PRODUCT CHANGES**

Netafim USA reserves the right to redesign, alter, or modify its Products at any time, without notice. Any catalog, design manual, price sheets, and/or other written material are subject to withdrawal or change at any time without prior notice. Possession of the current catalog or price sheets does not constitute an offer to sell.

## **PRODUCT INSTALLATION**

Unless otherwise agreed by Netafim USA, Netafim USA does not provide advice or assistance in the installation of the Products by the Buyer or any third party.

# TERMS AND CONDITIONS

## **BAGGED PRODUCTS**

Netafim USA has a number of Products that are packaged and sold in bagged or case quantities. Bagged parts are designated by placing a “-B” at the end of the product number. The quantities have been developed to provide the best value for the most standard quantities ordered and are intended for sale in the quantities listed. Order quantities will be rounded up to the nearest bag or case quantity at Netafim’s discretion. Buyer can verify part numbers and quantities being ordered by using the Netafim Dealer Portal or the Netafim price list. Netafim USA shall not be held liable for the impact of Buyer mistakes in order quantities due to incorrect part numbers or quantities not matching bagged or case quantities.

## **ACCEPTANCE**

The Buyer acknowledges its responsibility for inspecting all Products shipped by Netafim USA to determine whether said Products are in conformity with Buyer’s order, including whether all Products listed on the packing list have been shipped and whether the shipment contains any damaged Products. The Buyer agrees that fourteen (14) days from receipt of each shipment is a reasonable time in which to perform the inspection and notify Netafim USA of any nonconformity. If Netafim USA has not received a written notice of nonconformity within fourteen (14) days of the Buyer’s receipt of the shipment, the Buyer hereby agrees that the Products shall be deemed to be accepted by the Buyer, as that term is defined by the California Commercial Code. To avoid any doubt, the Buyer’s right to reject the shipment will be terminated. Also, if a written notice of nonconformity is not received within fourteen (14) days of the Buyer’s receipt of the shipment, Netafim USA will be relieved of any obligation concerning the shipment, other than warranty obligations, and the Buyer will pay for the shipment in full. The Buyer shall bear the complete cost of the inspection in all circumstances. The Buyer agrees that Netafim USA will have an opportunity to cure any nonconforming shipment. The Buyer further agrees that, in the event that a notice of nonconformity is received by Netafim USA, the time for Netafim USA’s performance under the Agreement will be extended for a reasonable time to allow Netafim USA to tender conforming Products or make reasonable repairs.

## **RETURNS – STANDARD PRODUCTS**

No Products may be returned without Netafim USA’s written consent and authorization. Requests to return Products must be made within 120 days of receipt of shipment from Netafim USA and reference the Netafim USA invoice number. Any approved return must be accompanied by a return goods authorization (RGA) issued by Netafim USA, clearly marked on the exterior of the parcel, and shipped freight prepaid within 30 days of the RGA issue date. All Products must be new, in original packaging, and in salable condition. All approved returns may be subject to a restocking fee. Buyer will bear the costs of return freight. Any shipment not meeting these criteria will not be accepted. The intent to return Products does not relieve the Buyer of the obligation to pay for the Products per the terms of the original invoice. Credit will be given only after the authorized return is received and accepted at Netafim.

## **RETURNS – NON-STANDARD PRODUCTS**

Non-Standard, Make-to-Order, Custom or Special-Order Products may not be eligible for return. Netafim USA may, at its sole discretion, deny the return of such non-standard products. If Netafim USA agrees to the return of such Products, the Products must be new, in original packaging, and in a saleable condition. The repurchase price offered for the return may be discounted 50% or more, based on how saleable the Products are. The intent to return Products does not relieve the Buyer of the obligation to pay for the Products per the terms of the original invoice. Credit will be given after the authorized return is received and accepted by Netafim USA.

## **RETURN OF DEFECTIVE PRODUCTS**

Netafim USA will be responsible for the return shipping of Products that are defective upon arrival, other than Products damaged in transport by the carrier. A Notice of Defect must be received by Netafim USA within fourteen (14) days of Buyer’s receipt of said Products. The Buyer agrees that failure to give a Notice of Defect within such time is a waiver of any defect. Prior approval from the Buyer’s District Sales Manager and an RGA must accompany all returns. Credit will not be given until the Product has been received by Netafim USA and approved for warranty.

## **PARTIAL SHIPMENTS/COMPLETE SHIPMENTS**

Netafim USA’s goal is to ship Buyer orders complete and within the requested delivery time. Netafim USA may ship orders from any available warehouse, to meet requested delivery dates, unless otherwise specified by the Buyer. Partial shipments may be made at the request of the Buyer, at the sole discretion of Netafim USA. On orders where partial shipments are requested by the Buyer, Netafim USA at its discretion may ship and backorder open items on the order. Netafim may charge additional shipping and handling costs to Buyer incurred by partial shipments of an order.

# TERMS AND CONDITIONS

## **DELIVERY PERFORMANCE**

Netafim USA will use commercially reasonable efforts to meet the delivery dates, specifications, and quantities set forth in an order confirmation. Netafim USA will not be liable for nonconformity, losses, damages, or delays suffered by the Buyer or any third party for any failure to meet the delivery dates, specifications, and quantities. If Netafim USA cannot meet the delivery date, it will notify the Buyer and use reasonable endeavors to make delivery within a reasonable time. Buyer must accept delivery and pay the Price thereof irrespective of such delay. In the absence of a delivery time set forth in the order confirmation, or subsequently provided by Netafim USA, the delivery date will be within ninety (90) days of the order confirmation.

## **STANDARD FREIGHT TERMS**

FOB Origin, per the Uniform Commercial Code (UCC) definition. Standard shipping method is Netafim USA's choice of carrier, shipped prepaid and added to the Buyer invoice. Shipments will be made within a one hundred fifty (150) mile radius of an authorized Buyer's store.

## **FREIGHT POLICY**

In consideration for the Buyer placing orders that meet minimum thresholds, as defined in the Freight Policy Statements (see FREIGHT CHARGES below), Netafim will provide freight allowances that may completely or partially reimburse the cost of freight. Unless otherwise agreed, the allowances will be applied against the cost of Transportation. For the purposes of this policy, "Transportation" is defined as the cost of basic freight plus fuel surcharges, using preferred carriers, with standard trucks (closed box trailer without lift gate), standard loading methods, and no accessorial charges, i.e., Best Method Transportation. Buyer requests for non-standard Transportation that results in additional costs, may be invoiced to the Buyer. Accessorial Services (non-standard services such as Lift Gates, Pallet Jacks, Driver Assist, etc.) may be charged separately on the invoice. If non-standard Transportation or Accessorial Services are billed to the Buyer, "Freight Free" shall mean that Transportation costs only will be fully reimbursed.

## **FREIGHT CHARGES**

Netafim USA's method for charging freight, including freight allowances and order thresholds, will be communicated separately to Buyers in separate Freight Policy Statements.

## **FREIGHT DAMAGES**

The Buyer acknowledges that risk of loss during transport is on the Buyer. Netafim USA is not liable for damage or loss occurring during shipment. Claims for such damages must be filed with the freight carrier directly. Freight damage and obvious box or pallet count shortages must be noted on the bill of lading at the time of goods receipt. Failure to do so will forfeit any remedy for such claims.

## **EXPORT COMPLIANCE**

The "Products" sold or distributed by Netafim (i.e., commodities, technology, or software) when exported from the United States are subject to the Export Administration Regulations ("EAR") administered by the U.S. Department of Commerce. Buyer hereby certifies that it understands its obligations to comply with U.S. export controls and trade sanctions. These include the EAR and the laws and regulations implemented by the U.S. Department of the Treasury, Office of Foreign Assets Control ("OFAC"). Buyer agrees to obtain any necessary authorization to transfer the Products outside the U.S. (and to non-U.S. persons within the U.S.) including to any (i) country/territory, (ii) end-user (i.e., individual or entity), or (iii) end-use subject to U.S. trade/economic sanctions under the EAR or by OFAC. Diversion of the Products by foreign persons contrary to U.S. law is prohibited.

## **FORCE MAJEURE**

Except for any obligation of the Buyer to pay any money due to Netafim USA, neither party will be liable for any delay or failure to perform any obligation hereunder caused by a Force Majeure Event. The Party claiming the Force Majeure Event will (A) promptly notify the other Party in writing of the Force Majeure Event and its likely duration, and (B) will take reasonable steps to overcome the delay or stoppage. "Force Majeure Event" means an event, condition, or circumstance beyond a party's reasonable control including, without limitation: industrial disputes, strikes, lockouts, accident, breakdown, import or export restrictions, acts of God, fire, inclement weather, earthquake, epidemic, or pandemic (including COVID-19 or similar), acts or threats or terrorism, war, criminal acts (including but not limited to cybercrimes), failure of public infrastructure, or other similar circumstances.

# TERMS AND CONDITIONS

## INTELLECTUAL PROPERTY

The Buyer acknowledges that any and all Intellectual Property associated with the Products is exclusively owned by Netafim USA or its affiliates. The Buyer shall not take any action that will impair the ownership and rights of Netafim USA in and to the Intellectual Property. Buyer undertakes that it will not obliterate, remove, conceal, or modify any Intellectual Property appearing on or in any Products, nor will it append any additional marks thereto. The Buyer shall not copy, modify, publish, transmit, transfer, sell, reproduce, create derivative works from, distribute, perform, display, or in any way exploit any of the Intellectual Property. The Buyer may not use Seller's name, logos or trademarks or any other Intellectual Property on any website. "Intellectual Property" shall mean for the purposes herein any patent, copyright, industrial design, trademark, tradename or other industrial or intellectual property right in respect of the Products and applications for any of the foregoing.

## CHANGE OF CONTROL OR OWNERSHIP

Prior to the occurrence of a Change of Control event, the Buyer shall notify Netafim USA in writing at least 14 days prior to the occurrence of such Change of Control. In the event of a Change of Control in Buyer, Netafim USA may, at its sole discretion, terminate the engagement with the Buyer under the Agreement. "Change of Control" means, with respect to the Buyer (i) any merger or consolidation with or into any other entity or any other similar transaction, whether in a single transaction or a series of related transactions, (ii) a transaction or series of related transactions in which 50% or more of Buyer's voting power is transferred to any person or entity, or (iii) the sale or transfer of all or substantial amount of the Buyer's assets.

## COMPLIANCE WITH LAWS, ANTI-CORRUPTION AND BRIBERY

Buyer further represents and warrants to Netafim USA that:

- a. It will conduct itself in accordance with all applicable laws and regulations in carrying out his duties under these Terms.
- b. It and its applicable stakeholders, including, inter alia, any owner, shareholder (direct or beneficial), officer, director, employee, agent, third party representative, subcontractor, contractor, or other individual with any direct or indirect beneficial interest, shall comply with Anti-Corruption Laws (defined below) and shall not cause Netafim USA, its subsidiaries or affiliates to be in violation of any Anti-Corruption Law. "Anti-Corruption Laws" mean collectively all applicable foreign and domestic anti-bribery and anti-corruption laws, regulations, orders, judicial decisions, conventions and international financial institution rules regarding domestic or international corruption, bribery, ethical business conduct, money laundering, political contributions, gifts and gratuities, or lawful expenses to public officials and private persons, agency relationships, commissions, lobbying, books and records, and financial controls.
- c. Neither it nor any of its affiliates or representatives have, directly or indirectly, taken any action that would cause them to be in violation of any Anti-Corruption Laws.
- d. It, its owners, directors, employees and its agents, have not and will not pay, offer, or promise to pay any money, financial benefit or thing of value to any government, or party official, candidate or employee at any level, including employees of state owned or controlled enterprises ("Government Officials") (i) for the purpose of influencing any act or decision of such person or party in order to obtain or retain business, or to direct business to any person; or (ii) with regards to Government Officials and/or private individuals, induce that person to or reward that person not to perform its functions in connection with that person's employment or engagement.
- e. The Buyer represents and warrants that no owner, shareholder (direct or beneficial), officer, director, employee, agent, third party representative, subcontractor, contractor, or other individual with any direct or indirect beneficial interest in Buyer (collectively, "Interested Persons"), is a Public Official or Entity. A "Public Official or Entity" means (i) an officer, employee, agent, contractor or representative of any government or military, including, but not limited to, a customs official; (ii) any department, agency, corporate entity, instrumentality or political subdivision of any government or military; (iii) any person or commercial entity acting in an official capacity for or on behalf of any government or military; (iv) any candidate for political office, any political party or any official of a political party. Buyer shall notify Netafim USA immediately if it learns at any time that (i) an Interested Person becomes a Public Official or Entity, or (ii) a Public Official or Entity acquires an ownership, voting, or economic interest in Buyer.
- f. It is neither a governmental entity, agency, or instrumentality, nor is it owned by a governmental entity, agency, or instrumentality; and no owner, shareholder (direct or beneficial), officer, director, employee, agent, third party representative, subcontractor, contractor, or other individual with any direct or indirect beneficial interest in Buyer is a foreign Public Official or Entity.
- g. In the event of a breach of the obligations contained in this clause, the sale under these Terms is void.



# TERMS AND CONDITIONS

- h. The Buyer (a) is not a Sanctioned Person, (b) has not, in the past five (5) years engaged in, has any plan or commitment to engage in, direct or indirect dealings with any Sanctioned Person or in any Sanctioned Country, or (c) has in the past five (5) years violated, or engaged in any conduct sanctionable under, any Sanctions Law, nor been the subject of an investigation or allegation of such a violation or sanctionable conduct. The Buyer shall conduct itself in accordance with Sanction Laws for the performance of its obligations under these Terms.
- i. Definitions
- i. "Sanctioned Person" means, at any time, (a) any person listed in any sanctions-related list of designated persons maintained by the Office of Foreign Assets Control of the U.S. Department of the Treasury, the U.S. Department of State, or by the United Nations Security Council, the European Union or any European Union member state, (b) any person operating, organized or resident in a Sanctioned Country or (c) any person owned or controlled by any such person or persons described in the foregoing clauses (a) or (b).
- j. "Sanctioned Country" means at any time, a country or territory which is the subject or target of any economic or financial sanctions or trade embargoes.
- k. "Sanction Laws" means laws and executive orders of the United States of America, the United Nations Security Council, the European Union the United Kingdom, and the applicable laws of the jurisdictions under which the Buyer operates, imposing economic or financial sanctions or trade embargoes, and regulations implementing such laws and executive orders.

## NOTICES

Notices or other communications provided for in these Terms shall be in writing and shall be delivered, given or otherwise provided (i) by hand, in which case, will be effective upon delivery, (ii) email, in which case, on the date sent if sent during normal business hours of the recipient, and on the next business day if sent after normal business hours of the recipient, or (iii) by overnight delivery by an internationally recognized courier service, prepaid for next day delivery, in which case, it will be effective two (2) business days after being deposited with such courier service.

## NO WAIVER OF NETAFIM USA'S RIGHTS

Neither Netafim USA's failure or delay to exercise any power or privilege under these Terms or failure to insist upon strict compliance by the Buyer with any obligation herein, nor any custom or practice of Netafim USA or Buyer shall constitute any waiver of any of Netafim USA's rights hereunder. Waiver by Netafim USA of any default of the Buyer must be in writing and shall not affect or impair Netafim USA's rights in respect of any subsequent or future default.

## ASSIGNMENT

Buyer shall not assign any of its rights or obligations hereunder to any other entity, without the Seller's prior written consent. These Terms shall inure to the benefit of the Parties hereto and their permitted successors and assigns.

## SEVERABILITY

If anything in these Terms shall be held unenforceable, illegal, or void by a court of competent jurisdiction then it shall be severed, and the rest of these Terms shall remain in full force to the extent possible.

## GOVERNING LAWS AND JURISDICTION

These Terms shall be governed by the laws of the State of California. The parties submit to the exclusive venue and jurisdiction of the state and federal courts of Fresno County, California.



# PRODUCT WARRANTY

## NETAFIM USA'S DIGITAL FARMING WARRANTY INFORMATION

### (A) BASIC MANUFACTURER'S LIMITED WARRANTY

Except as to products described in Subsections (B), (C), (D), products sold and/or manufactured by Netafim Irrigation, Inc. (Netafim USA) are warranted to be free from original defects in material and workmanship for a period of one (1) year from the date of delivery to the buyer unless (a) otherwise specified by and subject to the terms and conditions of any Warranty Supplements pertaining to specific products or, (b) expressly disclaimed in writing by Netafim USA. Within the warranty period, Netafim USA at its sole discretion shall have the option to repair or replace part or all of a defective product, or refund part or all of the original purchase price, if any part proves to be defective in material or workmanship after return of such product at Buyer's expense and after such return has been authorized in writing by Netafim USA. THIS BASIC MANUFACTURER'S LIMITED WARRANTY IS SUBJECT TO THE TERMS AND PROVISIONS IN SUBSECTION (i), (LIMITATION OF REMEDIES AND DISCLAIMER OF WARRANTIES) SET FORTH BELOW IN THE EVENT OF ANY INCONSISTENCY BETWEEN SUBSECTION (A) AND SUBSECTION (i) OF THIS PRODUCT WARRANTY, THE PROVISIONS OF SUBSECTION (i) SHALL PREVAIL.

### (B) LIMITED WARRANTY FOR NMC JR PRO, NMC PRO AND NMC DC SYSTEM MANAGERS (IRRIGATION CONTROLLERS)

Netafim NMC Junior Pro, NMC Pro and NMC DC System Managers are warranted to be free from original defects in materials and workmanship for a period of two (2) years from the date of shipment from Netafim USA.

### (C) LIMITED WARRANTY FOR NMC AIR+ REMOTE CONTROL AND MONITORING SYSTEMS

Netafim NMC Air+ Remote Control and Monitoring Systems are warranted to be free from original defects in materials and workmanship for a period of two (2) years from the date of shipment from Netafim USA.

### (D) LIMITED WARRANTY FOR GROWSPHERE OS DEVICES

Netafim GrowSphere™ OS Devices are warranted to be free from original defects in materials and workmanship for a period of (18) months from the date of shipment from Netafim USA.

### (E) LIMITED WARRANTY ON SINGLENET SINGLE CABLE AND RADIONET WIRELESS VALVE CONTROL SYSTEMS

Netafim SingleNet Single Cable Control System and RadioNet Wireless Valve Control System components are warranted to be free from original defects in materials and workmanship for a period of two (2) years from the date of shipment from Netafim USA.

### (i) LIMITATION OF REMEDIES AND DISCLAIMER OF WARRANTIES

EXCEPT AS EXPRESSLY PROVIDED HEREIN, ALL WARRANTIES EXPRESSED OR IMPLIED, INCLUDING ANY IMPLIED WARRANTY OF MERCHANTABILITY OR FITNESS FOR A PARTICULAR PURPOSE OR USE, ARE HEREBY EXCLUDED AND DISCLAIMED. THE REMEDIES PROVIDED HEREIN SHALL BE THE EXCLUSIVE AND SOLE REMEDY OF THE BUYER. NO OTHER EXPRESS WARRANTY IS GIVEN AND NO AFFIRMATION BY NETAFIM USA, BY WORDS OR ACTION, WILL CONSTITUTE A WARRANTY. NO OTHER EXPRESS WARRANTY NOR ANY OTHER REMEDY SHALL BE AVAILABLE TO THE BUYER AND NETAFIM USA SHALL NOT BE RESPONSIBLE OR LIABLE FOR ANY DAMAGES, INCLUDING ANY LOSS OF PROFIT, LOST SAVINGS, LOSS OF SALES, OR OTHER DIRECT, INDIRECT, INCIDENTAL, SPECIAL OR CONSEQUENTIAL DAMAGES, INJURY OR DAMAGES TO ANY PERSON OR PROPERTY ARISING OUT OF THE USE OR INABILITY TO USE THE PRODUCTS OR THE BREACH OF ANY EXPRESS WARRANTY, EVEN IF NETAFIM USA HAS BEEN ADVISED OF THE POSSIBILITY OF THOSE DAMAGES OR CLAIMS. NETAFIM USA SHALL NOT BE RESPONSIBLE FOR THE AFORESAID DAMAGES, CLAIMS OR LOSSES DUE TO LATE DELIVERY OR DELIVERY OR NON-DELIVER, OR OTHERWISE. THERE ARE NO WARRANTIES WHICH EXTEND BEYOND THE DESCRIPTION AS SET FORTH HEREIN. IF NETAFIM USA SHALL FURNISH TECHNICAL ADVICE OR ASSISTANCE WITH RESPECT TO THE PRODUCTS SOLD HEREUNDER, IT SHALL BE GIVEN WITHOUT CHARGE TO BUYER AND SHALL BE GIVEN AND ACCEPTED AT BUYER'S SOLE RISK WITHOUT ANY EXPRESS OR IMPLIED WARRANTY AND NETAFIM USA SHALL NOT BE RESPONSIBLE OR LIABLE FOR THE ADVICE OR THE RESULTS THEREOF BUYER ASSUMES ALL RISK AND LIABILITY RESULTING FROM USE OF THE PRODUCT PURCHASED.

### PRODUCT WARRANTY

The warranty listed above is effective only if a claim is made by written notice within the applicable warranty period and postmarked within fourteen (14) days after discovery of the defect on which the claim is based. Such notice shall be delivered to Netafim USA at the following address:

**5470 E. HOME AVENUE, FRESNO, CA 93727**  
**ATTN: PRODUCT MANAGEMENT**

The buyer shall, together with its notice of claim, offer Netafim USA in writing promptly opportunity to examine the defective product and correct the defect, if possible. This warranty shall be void unless buyer delivers the defective product to Netafim USA at buyer's sole cost and in accordance with Netafim USA's instructions.

# ORDERING INFORMATION

Netafim USA appreciates your business, and we maintain a policy of continued product improvement. For any ordering or pricing questions, contact our Customer Service Representatives at:

## NETAFIM USA CUSTOMER SERVICE

888-638-2346 (888-NETAFIM)

ORDERS FAX 800-695-4753

SUPPORT FAX 866-253-2550

INTERNET ORDERS: [netafimorders@process.esker.net](mailto:netafimorders@process.esker.net)

GENERAL CUSTOMER SERVICE E-MAIL: [us.customerservice@netafim.com](mailto:us.customerservice@netafim.com)

5:00 AM - 5:00 PM PST

PRICES AND SPECIFICATIONS ARE SUBJECT TO CHANGE WITHOUT PRIOR NOTICE.

## ORDERING GUIDELINES

The Netafim Dealer Portal is the most convenient way to place orders and obtain order status information. The Checkout page of the Netafim Dealer Portal will guide you to enter all required fields. Using the portal provides a greater chance of order accuracy. An accurate order is generally easier and quicker to process.

Use the following guidelines when placing an order by Fax or E-Mail with Netafim USA to ensure all the necessary information is provided.

1. Company Name and Netafim Account Number
2. Name of Person Placing Order and Phone Number
3. Shipping Information

Name of Company or Individual

Job Name or Reference (optional)

Address (no PO Boxes)

Contact Name and Phone Number (optional for parcels) City, State, Zip Code

4. Purchase Order Number
5. Requested Ship Date

If the required ship date is not known, provide an approximate date. In the absence of a delivery time set forth in the order confirmation, or subsequently provided by Netafim USA, the delivery date will be within ninety (90) days of the order confirmation. If you have requested a ship date, we will make every effort to target that date and time. If a specific date is given, the order will ship automatically, and you will not receive a call prior to pulling/packing/loading. For truck loads, the driver will call for an appointment. Please let us know if we are required to hold the order until we are notified to ship. Any changes to the original ship date must be communicated to Netafim Customer Service 48 hours prior to shipping. NOTE: Held orders are subject to restrictions and/ or may incur extra fees.

6. Ship Method

If no preferences are specified, the order will ship best method at Netafim's discretion.

7. Netafim Item or Model Number for Products Needed

Use the correct item or model number and do not use a number with a different description. Consult the Netafim Dealer Portal or your price list for the appropriate number or call Customer Service for assistance.

8. Specials or Price Quotes

If any specials or price quotes apply to the order, include this information on the purchase order, or in the appropriate field of the shopping cart of the Netafim Dealer Portal. Special requests can also be added to the order comments section of the Netafim Dealer Portal.

9. Ship Order Complete

Indicate if the order is to ship complete. If not indicated on the order, ship-complete will be the preferred order fulfillment method, but at Netafim's discretion, partial shipments are allowed.

10. Combining Orders

If order is to be combined with other orders for shipping, indicate the other order numbers.

## ADDITIONAL GUIDELINES FOR TRUCKLOAD ORDERS

1. Ship to Address or Nearest City

Is a delivery map required? If yes, map is required 24 hours prior to loading.

2. Provide Requested Delivery Date and Time of Arrival for Delivery Site
3. Provide Contact Name and Phone Number

# GROWSPHERE™ ONE

**NEW**

## MONITOR



Soil Sensors



Hydraulic Sensors

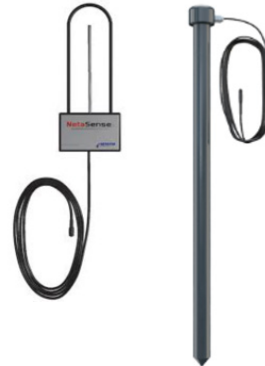


Weather Station



## GROWSPHERE ONE

ITEM NUMBER	MODEL NUMBER	DESCRIPTION	PRICE EACH
74715-000014	31GSONEREMOTEPANEL	GROWSPHERE ONE 3 Analog Inputs, 2 Digital Inputs, and 1 Serial (RS232) Inputs. Remote Solar panel and antenna with 15 foot cable.	1,000.00
74715-000013	31GSONESOLARPANEL	GROWSPHERE ONE 3 Analog Inputs, 2 Digital Inputs, and 1 Serial (RS232) Inputs. Integrated Solar panel and antenna	975.00



# GROWSPHERE™ MAX

**NEW**



## GROWSPHERE MAX - CONTROL AND MONITORING

ITEM NUMBER	MODEL NUMBER	DESCRIPTION	PRICE EACH
74702-000080	31GSMAX6D012DICNFG	GrowSphere MAX Controller: includes touch screen display, 110VAC power supply, CPU PM5052 Module, 6 expansion slots, Double Door enclosure. CPU PM5052 Module includes, 6 x Digital Outputs, 12 Digital Inputs, 1 x RS232 module and 1 x RS485 module.	7,227.00

## GROWSPHERE MAX EXPANSION OPTIONS

ITEM NUMBER	MODEL NUMBER	DESCRIPTION	PRICE EACH
74743-000098	31GSMAXD0573-16OUT	GrowSphere D0573 Output Module: includes 16 Normally Open 24VAC digital outputs. 2.0A per Output. 2 x 8 Output Isolation Groups, 10.0A per group. Shared common. Visual LED operation indicator.	378.00
74743-000099	31GSMAXD0572-8OUT	GrowSphere D0572 Dosing Module: includes 8 Normally Open 24VAC TRIAC digital outputs. 2.0A per Output. 2.0A fuse per Output. 1 x 8 Output Isolation Groups, 10.0A per group. Visual LED operation indicator.	378.00
74743-000100	31GSMAXAI561-4AI	GrowSphere AI561 Analog Input Module: includes 4 Analog Inputs, 24VDC Feed Voltage, 0-20mA, 4-20mA, 12 Bit, 250Ohm resistance.	378.00
74743-000101	31GSMAXDI562-16DI	GrowSphere DI562 Digital Input Module: includes 16 Digital Inputs, 2 x 8 Input Isolation Groups. Shared common.	Call for Quote

# GROWSPHERE™ SENSORS



## GROWSPHERE WEATHER STATION (DAVIS)

ITEM NUMBER	MODEL NUMBER	DESCRIPTION	PRICE EACH
74730-000050	31GSWSDIRECTWIRE	Davis Vantage Pro2™ Weather Station - Includes all required accessories to connect the Weather Station via RS232 to a compatible GrowSphere OS Device	2,077.00



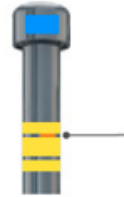
## GROWSPHERE SENSOR OPTIONS

ITEM NUMBER	MODEL NUMBER	DESCRIPTION	PRICE EACH
70261-011000	36FM.75RG.1	Fertilizer flow meter, 3/4" Polypropylene, 0.1 USG/pulse	504.00
70261-011030	36FM.75RG1	Fertilizer flow meter, 3/4" Polypropylene, 1 USG/pulse	504.00
70261-011300	36FM1RG1	Fertilizer flow meter, 1" PVC, 1 USG/pulse	1,281.00
00107-014020	31PT200-4-20MA	Pressure transducer, 200 psi, 4-20 mA, 1/4 MIPT, M12 Male connector	574.00
00107-014021	31PTCABLE2M	Pressure transducer cable, 6 ft, M12 Female connector	33.00
74730-000001	31NBIRROMETERMS30	Irrrometer tensiometer, most soils, 30 cm (12 in)	392.00
74730-000002	31NBIRROMETERMS60	Irrrometer tensiometer, most soils, 60 cm (24 in)	407.00
74730-000003	31NBIRROMETERMS90	Irrrometer tensiometer, most soils, 90 cm (36 in)	425.00
74730-000004	31NBIRROMETERSS30	Irrrometer tensiometer, sandy soils, 30 cm (12 in)	392.00
74730-000005	31NBIRROMETERSS60	Irrrometer tensiometer, sandy soils, 60 cm (24 in)	407.00
74730-000006	31NBIRROMETERSS90	Irrrometer tensiometer, sandy soils, 90 cm (36 in)	425.00
74730-000010	31NBDTSM150T	Delta-T SM150T Kit: includes sensor & cable	454.00
74740-000300	31NBDTSM150TEXT	Delta-T SM150T extension cable, 25 m (82 ft)	271.00

# GROWSPHERE™ SENSORS

## GROWSPHERE PROFILE SOIL MOISTURE PROBE

ITEM NUMBER	MODEL NUMBER	DESCRIPTION	PRICE EACH
74730-00007	31NETACAPSMP8INCH	8 INCH NETACAP SOIL PROBE	576.00
74730-00013	31NETACAPSMP12INCH	12 INCH NETACAP SOIL PROBE	629.00
74730-00008	31NETACAPSMP16INCH	16 INCH NETACAP SOIL PROBE	687.00
74730-00009	31NETACAPSMP24INCH	24 INCH NETACAP SOIL PROBE	731.00
74730-00011	31NETACAPSMP32INCH	32 INCH NETACAP SOIL PROBE	731.00
74730-00021	31NETACAPSMP47INCH	47 INCH NETACAP SOIL PROBE	848.00
74730-00022	31NETACAPSMP59INCH	59 INCH NETACAP SOIL PROBE	940.00
74730-00023	31NETACAPSMP71INCH	71 INCH NETACAP SOIL PROBE	1,026.00



- Air temperature sensor
- Soil moisture sensors
- Soil temperature sensor

# RADIONET

## RADIONET - HOST AND BASE

ITEM NUMBER	MODEL NUMBER	DESCRIPTION	PRICE EACH
74360-007600	31RNHBKIT	RadioNet Host Kit, for use with GrowSphere MAX controller, includes host, base, battery, battery charger, antenna with 33' cable, PoleNet programming cable, screwdriver, mounting hardware	8,996.00
74330-012000	31RNHOST	RadioNet Host, for use with NMC Pro/DC controllers	3,530.00
74330-012100	31RNBASE	RadioNet Base Radio, 450 to 470 MHz, 100mW	2,099.00
74330-003010	31RN3BATCHARGER	RadioNet Host Battery Charger, 110VAC to 12VDC	235.00
00107-008101	31RNBATT12VDC	Rechargeable Battery, 12VDC 24AH SLA	360.00
00035-014780	31POLENETCABLE	Polenet USB RJ45 Programming Cable	184.00

## RADIONET - 2X2 RTU

ITEM NUMBER	MODEL NUMBER	DESCRIPTION	PRICE EACH
74330-012195	31RNRTU2X2	RadioNet 2x2 RTU, 2 latching outputs, 2 digital inputs, not expandable, can act as a repeater	993.00

## RADIONET - EXPANDABLE RTU

ITEM NUMBER	MODEL NUMBER	DESCRIPTION	PRICE EACH
74330-012200	31RNRTU	RadioNet Expandable RTU, 1 latching output, 2 digital inputs, 4 expansion slots, expandable to 9 latching outputs and 10 digital inputs, can act as a repeater	1,521.00
74330-013140	31RNEXPCARD	RadioNet RTU Expansion Card, 2 latching outputs, 2 digital inputs, limit 4 per expandable RTU	171.00

## RADIONET - DCP RTU (CONTROL AND MONITORING )

ITEM NUMBER	MODEL NUMBER	DESCRIPTION	PRICE EACH
74330-012230	31RNDCP	R-Net DCP RTU 1XAI 3XDI Exclude Cap Card	1,355.00
74330-012240	31RNRTUCAP	R-Net DCP Capacitor Card	333.00
74370-003300	31RNDCPAIEXP	R-Net DCP Expansion Card 2 X AI	376.00
00035-013150	31RNSERIALEXPCARD	R-Net Serial Expansion Card RS232/485/SDI12	209.00
74330-012250	31RNDFMEXPCARD	NetaCap Probe I/F Kit Cable and 3.5V Reg	137.00

## RADIONET – RTU ACCESSORIES

ITEM NUMBER	MODEL NUMBER	DESCRIPTION	PRICE EACH
74330-005760	31RNSOLARPAN3W	RadioNet Solar Panel Kit, 9V 3W, includes solar panel, mounting bracket, charging regulator, requires rechargeable battery	369.00
74330-003025	31RNRECHARBATT6V	RadioNet RTU Rechargeable Battery, 6VDC SLA, requires solar panel kit	94.00
74330-002960	31RNSOLCHGREG	RadioNet solar panel charging regulator	174.00
74330-010200	31RTULITHBATT	RadioNet RTU Lithium Metal Battery pack, 7.2VDC 8.5 AH, non-rechargeable	125.00
74330-005020	31RNANTG10FT	Antenna with 10' cable	254.00
74330-005060	31RNANG19FT	Antenna with 19' cable	298.00
74330-005120	31RNANTG33FT	Antenna with 33' cable	338.00



# SINGLETNET

## SINGLETNET - HOST

ITEM NUMBER	MODEL NUMBER	DESCRIPTION	PRICE EACH
00035-001760	31SCSCWOPW	SingleNet Host, for use with GrowSphere MAX controller, requires 12VDC 2A power supply	3,208.00
77100-050320	31DCPOWER12V2A	SingleNet Host Power Supply, 115VAC to 12VDC 2A, Wall Plug, Screw Terminal, No Wire	80.00
00035-008350	31SCRS	SingleNet Host card, for use with GrowSphere MAX controller, requires enclosure and 12VDC 2A power supply	2,799.00
00035-014780	31POLENETCABLE	PoleNet USB RJ45 Programming Cable	184.00
00035-008300	31SCLPM	SingleNet Host Lightning Suppression Module	1,279.00

## SINGLETNET 2-WIRE CABLE

ITEM NUMBER	MODEL NUMBER	DESCRIPTION	PRICE EACH
00107-007980	31SC0016C-1000	SingleNet RTU Cable, 1000' spool, ½" PE Conduit	2,758.00
00107-007990	31SC0016C-2500	SingleNet RTU Cable, 2500' spool, ½" PE Conduit	6,887.00
00107-007960	31SC0016CLTC	SingleNet RTU Cable Liquid Tight Connector	23.00

## SINGLETNET RTU

ITEM NUMBER	MODEL NUMBER	DESCRIPTION	PRICE EACH
74340-014900	31SCRTU2	SingleNet RTU, 2 DC latching outputs, 2 digital inputs	1,028.00
74340-015000	31SCRTU4	SingleNet RTU, 4 DC latching outputs, 4 digital inputs	1,477.00
74340-015400	31SCRTU2PL	SingleNet RTU with Lightning Protection, 2 DC latching outputs, 2 digital inputs	1,360.00
74340-015500	31SCRTU4PL	SingleNet RTU with Lightning Protection, 4 DC latching outputs, 2 digital inputs	1,732.00

## SINGLETNET RTU ACCESSORIES

ITEM NUMBER	MODEL NUMBER	DESCRIPTION	PRICE EACH
00035-008150	31SRTU2LAT2D	SingleNet RTU card, 2 DC latching outputs, 2 digital inputs, requires enclosure	729.00
00035-008200	31SCRTULP	SingleNet RTU Lightning Protection card, no enclosure	370.00
74340-016000	31SCEMPTYBOX	SingleNet RTU box, metal backplate, empty	191.00
35500-003260	31SCRTUBRKT1	SingleNet RTU bracket (not pictured)	49.00

# NetRTU

## NetRTU REPLACEMENT PARTS

ITEM NUMBER	MODEL NUMBER	DESCRIPTION	PRICE EACH
74710-000003	31NBRTU2DO	NetBeat RTU 2DO: 915 MHz, 2 digital inputs, 3 analog inputs, 2 digital outputs, includes wall mount bracket	525.00
74710-000012	31NBRTU8DO	NetBeat RTU 8DO: 915 MHz, 2 digital inputs, 3 analog inputs, 8 digital outputs, includes wall mount bracket	840.00
74710-000009	31NBRTU16DO	NetBeat RTU 16DO: 915 MHz, 2 digital inputs, 3 analog inputs, 16 digital outputs, includes wall mount bracket	1,260.00
74740-000350	31NBRTUSOLAR	NetBeat RTU Solar Panel Kit: includes solar panel & mounting bracket	233.00
74740-000150	31NBANTKIT5M	NetBeat LoRa Remote Antenna Kit 5 m: includes antenna, mounting bracket, 5 m (16 ft) coax cable	237.00
74740-000135	31NBANTKIT10M	NetBeat LoRa Remote Antenna Kit 10 m: includes antenna, mounting bracket, 10 m (33 ft) cable	365.00
74740-000028	31NBLORAHIGAINKIT	NETMCU/RTU 8DBI HIGH GAIN ANTENNA KIT	1,200.00
74740-000110	31NBMCULORAANT	LoRa Antenna 915MHz	53.00
74740-000111	31NBLORACABLE10M	LoRa Antenna Cable 10 m (33 ft) (not pictured)	284.00
74740-000114	31NBLORACABLE5M	LoRa Antenna Cable 5 m (16 ft) (not pictured)	178.00
74740-000120	31NBANTHOLD	Remote Antenna Bracket (not pictured)	4.70

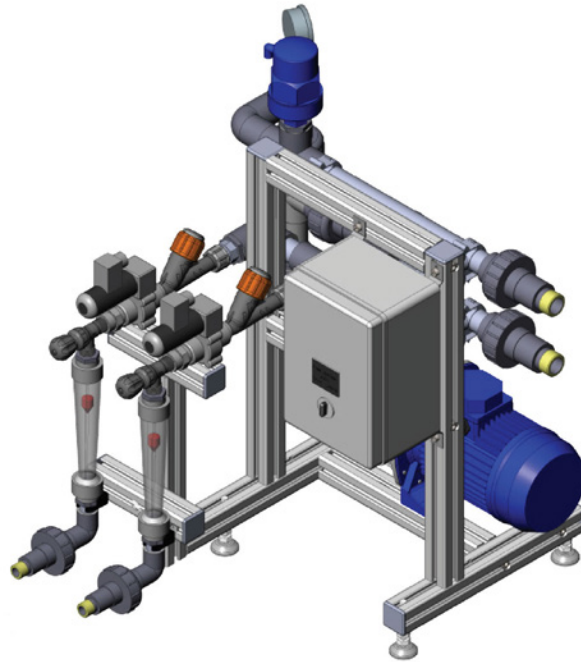
## EC/pH Monitoring



### EC/PH MONITORING

ITEM NUMBER	MODEL NUMBER	DESCRIPTION	PRICE EACH
74360-007901		EC/pH transmitter, panel mount/wall mount AWT420	2,423.00
74360-007970		EC replacement module for AWT420	Call for Quote
74360-007971		pH replacement module for AWT420	Call for Quote
45000-006692	31PHSENS4GBNC	pH sensor, JUMO 12mm, glass, BNC connector	345.00
45000-006705	31ECSSENSABB4G	EC & temperature sensor, JUMO 12mm, bare wire	638.00

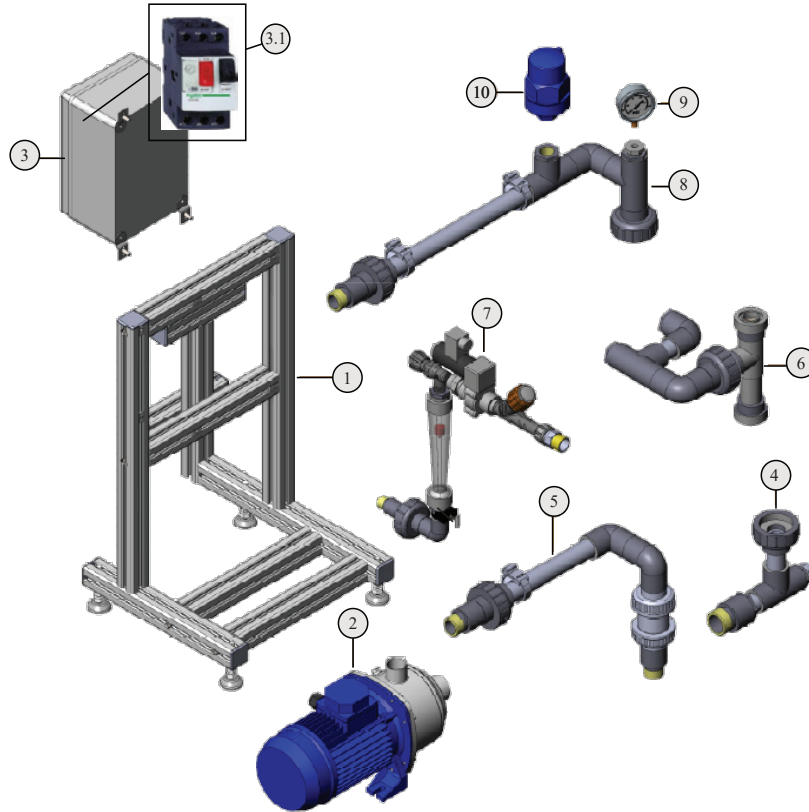
# FERTIONE PLUS



## FERTIONE PLUS

ITEM NUMBER	MODEL NUMBER	DESCRIPTION	PRICE EACH
33250-000600	31FTO+50PSI	FertiOne Plus Low Pressure: suitable for mainlines with operating pressure between 29 and 58 psi; includes 2 fertilizer/diluted acid channels at 158 GPH, 440VAC three phase booster pump (MTX5-2 60Hz 0.95 kW 1.28 HP) electrical control box with manual starter, contactor, Manual-Off-Auto selector switch, SCH 80 NPT PVC fittings	5,258.00
33250-000601	31FTO+80PSI	FertiOne Plus High Pressure: suitable for mainlines with operating pressure between 58 and 87 psi; includes 2 fertilizer/diluted acid channels at 158 GPH, 440VAC three phase booster pump (MTX5-3 60Hz 1.35 kW 1.81 HP) electrical control box with manual starter, contactor, Manual-Off-Auto selector switch, SCH 80 NPT PVC fittings	5,337.00
33250-000603	31FTO+50PSI1PH	"FertiOne Plus Low Pressure Single Phase: suitable for mainlines with operating pressure between 29 and 58 psi; includes 2 fertilizer/diluted acid channels at 158 GPH, 220VAC single phase booster pump (MTX5-2 60Hz 0.9 kW 1.2 HP), electrical control box with manual starter, contactor, Manual-Off-Auto selector switch, SCH 80 NPT PVC fittings"	5,224.00
33250-000602	31FTO+80PSI1PH	"FertiOne Plus High Pressure Single Phase: suitable for mainlines with operating pressure between 58 and 87 psi; includes 2 fertilizer/diluted acid channels at 158 GPH, 220VAC single phase booster pump (MTX5-3 60Hz 1.3 kW 1.8 HP), electrical control box with manual starter, contactor, Manual-Off-Auto selector switch, SCH 80 NPT PVC fittings"	5,337.00

# FERTIONE PLUS

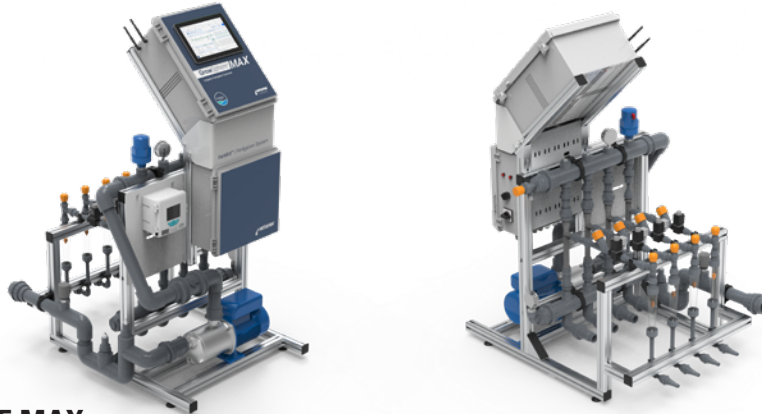


## FERTIONE PLUS

KEY	ITEM NUMBER	MODEL NUMBER	DESCRIPTION	PRICE EACH
1	45000-040720	-	FTOUS Aluminum Frame	416.00
2	77800-025525	31FTO+PUMPMXT5-2	Pump MTX 5-2T6 3x220/440 60 Hz	895.00
	77800-025515	31FTO+PUMPMXT5-3	Pump MTX 5-3T6 3x220/440 60 Hz	1,028.00
	77800-025520	31FKPUMPE52T6	Pump MTX 5-2T6/0.9m 1x220 6.3A 60 Hz	986.00
	77800-023250	31FKPUMPE53T6	Pump MTX 5-3T6/1.3M 1x220 7.7A 60Hz	1,183.00
3	77210-003350	-	FTOUS Switchbox MTX 5-2T6 60 Hz	Call for Quote
	77210-003360	-	FTOUS Switchbox MTX 5-3T6 60 Hz	Call for Quote
	77210-003370	-	FTOUS Switchbox MTX 1x220V 6.3-10A 0.9-1.3KW	Call for Quote
3.1	77120-003350	-	Overload 1.6-2.5 A for FertiOne, GV2ME01, MTX 5-2 3x440 2.2A	134.00
	77120-003360	-	Overload 2.5-4 A for FertiOne, GV2ME08, MTX 5-2 3x440 2.9A	134.00
	77100-011935	-	Overload 4-6.3 A for FertiOne, GV2ME10, MTX 5-2 3x220 4A, MTX 5-3 3x220 5.3A	134.00
4	33241-000699	-	FTOUS Inlet to Dosing Booster Set	415.00
5	33241-000704	-	FTOUS Dosing Booster Outlet	170.00
6	33241-000698	-	FTOUS Suction Manifold Set	868.00
7	33241-000705	31FTO+DOSCHNVERT	FTOUS Assembled Dosing Channel 160 GPH SCH80	746.00
8	33241-000697	-	FTOUS Inlet to Venturi Set	501.00
9	77540-003400	-	Pressure Gauge 250 GLZ 145 psi 1/4" BSP	24.00
10	70561-003730	65ARIS075-PP	Air Valve 3/4" DG-010 NPT	178.00
	77540-008470	31FTO+DOSVLS12	Dosing Valve FIP S12 24VAC 50/60H Z 3/8"	328.00
	76420-007955	31FTO+CHKVLV	Line Check Valve 3/4" *3/4" EPDM	68.00
	76400-011376	31FTO+NEEDLEVLV	Needle Valve 1/2" High Flow	43.00
	77540-007590	31FTO+ROTOMETER	STUBBE Rotometer DFM 185 16-160 GPH ASTM	155.00

# FERTIKIT 5G

**NEW**



## FERTIKIT 5G WITH GROWSPHERE MAX

ITEM NUMBER	MODEL NUMBER	DESCRIPTION	PRICE EACH
74722-000082	31FK5GSP2F351AC13GSMAX	<p>"FertiKit 5G SP NPT Low Flow, includes 4 dosing channel slots, 2 Fertilizer Dosing Channels at 35 GPH, 1 Acid Dosing Channel at 13 GPH, and 1 expansion slot for dosing channel slot (13 GPH or 35 GPH only), 220VAC single phase booster pump (MTX5-3 60Hz), electrical control box with disconnect, pump breaker, and Hand-Off-Auto selector switch, SCH 80 NPT PVC fittings.</p> <p>EC/pH Monitoring Kit, includes AWT420 Monitor (24VAC, wall mount), 1 EC sensor, 1 pH sensor, calibration fluid packets (5 each of pH 7.0, pH 4.0, EC 1.41), PVC unions.</p> <p>GrowSphere MAX Irrigation Controller, 115VAC power supply, 100VA 24VAC transformer, includes PM5052 Main Module with 12 Digital Inputs (1 used by FertiKit) and 6x24VAC outputs (1 used by FertiKit), DO572 Dosing Module with 8x24VAC TRIAC outputs (4 used by the Fertikit), AI561 Analog Input Module with 4x4-20mA inputs (2 used by EC/pH Monitoring Kit), HMI Screen, Cellular Router with Global FloLive SIM card, 6 expansion slots, double door enclosure.</p>	24,079.00
74722-000078	31FK5GSP2F901AC13GSMAX	<p>"FertiKit 5G SP NPT High Flow, includes 4 dosing channel slots, 2 Fertilizer Dosing Channels at 90 GPH, 1 Acid Dosing Channel at 13 GPH, and 1 expansion slot for dosing channel slot (13, 35, or 90 GPH dosing channel), 440VAC three phase booster pump (CM15-2), electrical control box with disconnect, pump breaker, and Hand-Off-Auto selector switch, SCH 80 NPT PVC fittings.</p> <p>EC/pH Monitoring Kit, includes AWT420 Monitor (24VAC, wall mount), 1 EC sensor, 1 pH sensor, calibration fluid packets (5 each of pH 7.0, pH 4.0, EC 1.41), PVC unions.</p> <p>GrowSphere MAX Irrigation Controller, 115VAC power supply, 100VA 24VAC transformer, includes PM5052 Main Module with 12 Digital Inputs (1 used by FertiKit) and 6x24VAC outputs (1 used by FertiKit), DO572 Dosing Module with 8x24VAC TRIAC outputs (4 used by the Fertikit), AI561 Analog Input Module with 4x4-20mA inputs (2 used by EC/pH Monitoring Kit), HMI Screen, Cellular Router with Global FloLive SIM card, 6 expansion slots, double door enclosure."</p>	25,440.00

## FERTIKIT 5G SP NPT EXPANSION OPTIONS

ITEM NUMBER	MODEL NUMBER	DESCRIPTION	PRICE EACH
33241-009210	31FKNPT13GPHCHN	FertiKit 5G SP NPT Acid Dosing Channel 13 GPH, complete, Baccara Solenoid, SCH80	1,216.00
33241-009200	31FKNPT35GPHCHN	FertiKit 5G SP NPT Fertilizer Dosing Channel 35 GPH, complete, FIP S12 Solenoid, SCH80	1,218.00
33241-009220	31FKNPT90GPHCHN	FertiKit 5G SP NPT Fertilizer Dosing Channel 90 GPH, complete, FIP S12 Solenoid, SCH80	1,368.00

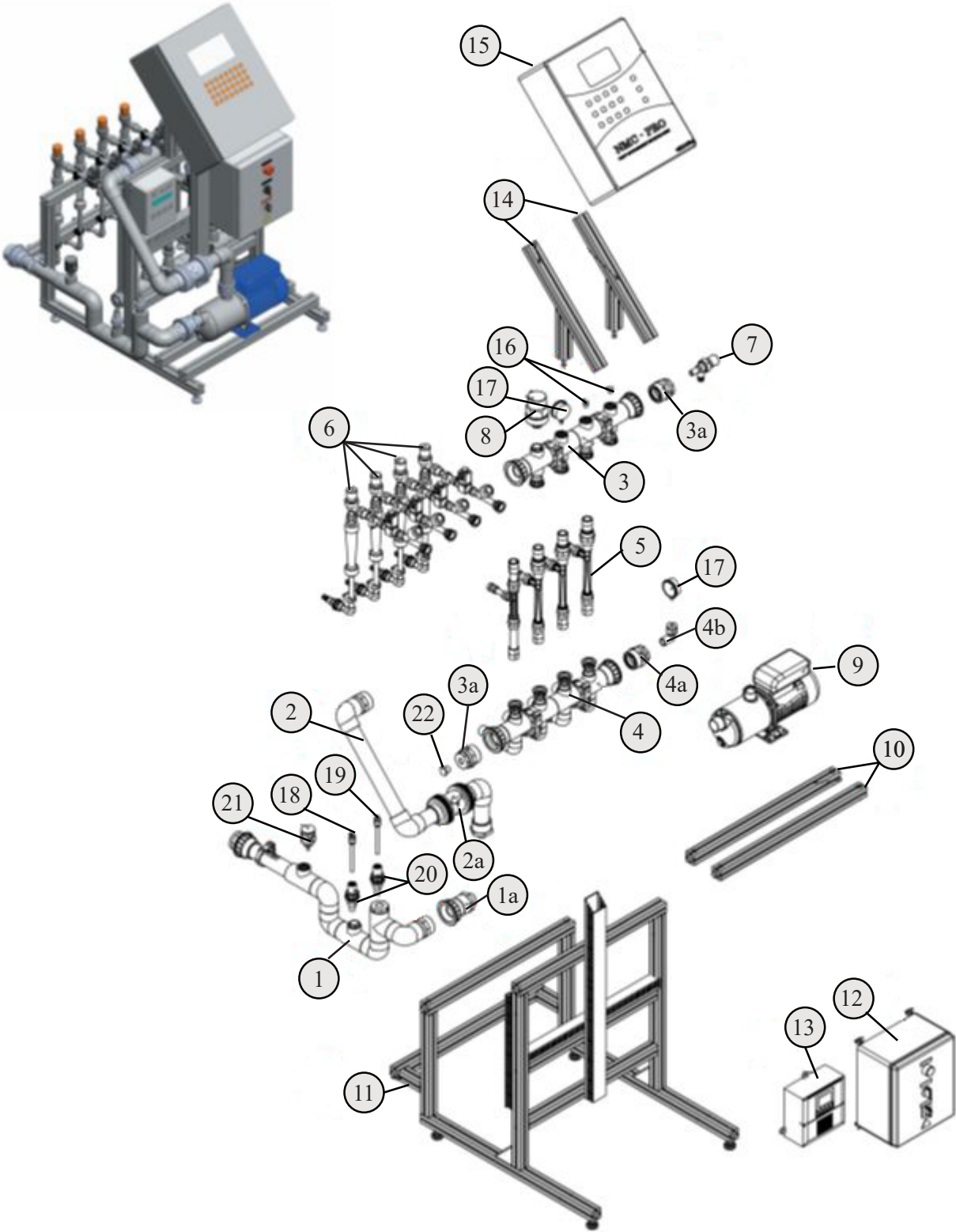
# FERTIKIT 5G

## FERTIKIT 5G SP NPT SPARE PARTS

ITEM NUMBER	MODEL NUMBER	DESCRIPTION	PRICE EACH
33241-009040	31FKNPTINMTX53	FertiKit 5G SP NPT Inlet to MTX5-3 60Hz pump, SCH80	386.00
33241-009030	31FKNPTINCM152	FertiKit 5G SP NPT Inlet to CM15-2 60Hz pump, SCH80	401.00
33241-009060	31FKNPTOUTMTX53	FertiKit 5G SP NPT Outlet from MTX5-3 60Hz pump, SCH80	355.00
33241-009050	31FKNPTOUTCM152	FertiKit 5G SP NPT Outlet from CM15-2 60Hz pump, SCH80	386.00
33241-009080	31FKNPTUPPERMAN	FertiKit 5G SP NPT Upper manifold, SCH80	708.00
33241-000002	31FKNPTVENTOUT	FertiKit 5G SP NPT Venturi outlet, 1" MIPT SCH80	160.00
33241-009110	31FK3SNPTVENT13GPH	FertiKit 5G SP NPT Venturi, PVDF (Viton), 13 GPH, SCH80	258.00
33241-009100	31FK3SNPTVENT40GPH	FertiKit 5G SP NPT Venturi, polypropylene, 40 GPH, SCH80	180.00
33241-009090	31FK3SNPTVENT90GPH	FertiKit 5G SP NPT Venturi, polypropylene, 90 GPH, SCH80	255.00
33241-009210	31FKNPT13GPHCHN	FertiKit 5G SP NPT Acid dosing channel 13 GPH, complete, Baccara solenoid, SCH80	1,216.00
33241-009200	31FKNPT35GPHCHN	FertiKit 5G SP NPT Fertilizer dosing channel 35 GPH, complete, FIP S12 solenoid, SCH80	1,218.00
	31FK3SNPTVERT40GPH	FertiKit 5G SP NPT Fertilizer dosing channel, Vertical Part, 4-40 GPH, SCH80	267.00
	31FK3SNPTHZNFS12	FertiKit 5G SP NPT Fertilizer dosing channel, Horizontal Part FIP S12 solenoid, SCH80	468.00
33241-009220	31FKNPT90GPHCHN	FertiKit 5G SP NPT Fertilizer dosing channel, complete, FIP S12 solenoid, SCH80	1,368.00
	31FK3SNPTVERT90GPH	FertiKit 5G SP NPT Fertilizer dosing channel, Vertical Part, 10-90 GPH, SCH80	263.00
	31FK3SNPTHZNFS12	FertiKit 5G SP NPT Fertilizer dosing channel, Horizontal Part FIP S12 solenoid, SCH80	468.00
76400-011375	31FKNDLEVLVORNG	FertiKit 5G SP NPT Sampling valve	43.00
70561-003730	65ARIS075-PP	Continuous air vent, 3/4" MIPT (DG-010)	178.00
77800-023250	31FKPUMPE53T6	MTX5-3 60Hz 220VAC 7.7A Single phase pump, 1.3kW	1,183.00
77800-002996	31FKPUMPCM15-2	CM15-2 60Hz 220VAC 14.8A / 440VAC 7.2A Three phase pump, 4kW	2,775.00
45000-008759	31FK3ALMFRMPUMP	Aluminum frame set for pump	181.00
-	-	Aluminum frame (not available as a spare part)	0.00
33220-001300	31FKNPTSWBDMTRX	Pump switchboard for MTX5-3	1,886.00
77100-013640	31FKLUCBC12B	Pump switchboard contactor for MTX5-3	410.00
33220-001450	31FKNPTSWBDCM15	Pump switchboard for CM15-2	1,759.00
77100-013620	31FKLUCBC18B	Pump switchboard contactor for CM15-2	371.00
74360-007901		EC/pH transmitter, panel mount/wall mount AWT420	2,423.00
33240-000026		Aluminum frame for Grow Sphere Max controller with-Front plate	Call for Quote
33240-000028		EC/pH transmitter mounting KIT	Call for Quote
77400-027100	31PLUG.75	Plug, 3/4" MIPT SCH80	4.40
77540-003400	31FKPRESGAUGE145P	Pressure gauge, 145 psi (10 bar), 1/4" BSP male	24.00
45000-006692	31PHSENS4GBNC	pH sensor, JUMO 12mm, glass, BNC connector	345.00
45000-006705	31ECSSENSABB4G	EC & temperature sensor, JUMO 12mm, bare wire	638.00
33120-008500	31SNSUNION	EC/pH sensor union set, 3/4" MIPT	95.00
77800-002180	31FKPRESSWITCH	Pressure switch, 14 to 45 psi (1 to 3 bar), 1/4" BSP male	230.00
77800-000019	31FKEMTXSEALKIT	Ebara Matrix 5 Seal Kit	110.00
77800-025566	31FKEMTXSCREWKIT	Ebara Matrix 5 Drain Tank Screw Kit	34.00

# FERTIKIT

## FERTIKIT 3G SP METRIC





# FERTIKIT

## FERTIKIT 3G SP METRIC SPARE PARTS

KEY	ITEM NUMBER	MODEL NUMBER	DESCRIPTION	PRICE EACH
1	33240-025000	-	FertiKit 3G SP Inlet	230.00
1a	33240-005670	31FKPUMPEOUTKIT	Pump inlet & outlet for MTX5-3	146.00
	33240-002666	31FK3BPADP2	Pump inlet for CM15-2	73.00
2	33240-005670	31FKPUMPEOUTKIT	Pump inlet & outlet for MTX5-3	146.00
	33240-000018	31FK3BPACM15-2OUT	Pump outlet for CM15-2	57.00
2a	77300-025045	31FK3CHCKVLV50	FertiKit 3G check valve, 50mm	99.00
3	33240-002100	31FKIT3GMANIF	FertiKit 3G SP Upper manifold	380.00
3a	33240-002251	31FK3PVCRED50-05	Reducer, DN50 x 1/2"	50.00
4	33220-002110	31FK3GSPLOWERMANIF	FertiKit 3G SP Lower manifold (with separation discs)	457.00
4a	33240-002252	31FK3PVCRED50-75	Reducer, DN50 x 3/4"	50.00
4b	33240-004100	31FK3ELBOW	Elbow for gauge	30.00
5	33240-003200	31FK3SVENT13GPH	Venturi for Concentrated Acid, 13 GPH	280.00
	33240-002300	31FK3SVENT35GPH	Venturi for Fertilizer, 35 GPH	131.00
	33240-002320	31FK3SVENT65GPH	Venturi for Fertilizer, 95 GPH	321.00
6	33230-002000	31FK3GDCH13GPHAB	FertiKit 3G Acid Channel 13 GPH Complete (Baccara Solenoid)	1,000.00
	33230-001550	31FK3GDCH40GPHF	FertiKit 3G Dosing Channel 35 GPH Complete (FIP S12 Solenoid)	1,044.00
	33230-001670	31FK3GDCH95GPHF	FertiKit 3G Dosing Channel 95 GPH Complete (FIP S12 Solenoid)	1,170.00
	33240-006010	31FK3GDCH95GPHVNCV	NFXSP-Dosing Channel- 400L No Check Valve	761.00
6a	33230-004150	31BURKETKITMTRC	FertiKit 3G SP Acid dosing channel, horizontal part, Burkert solenoid, metric	1,843.00
7	76400-011375	31FKNLVLVORNG	FertiKit 3G SP NPT Sampling valve	43.00
8	70561-003730	65ARIS075-PP	Continuous air vent, 3/4" MIPT (DG-010)	178.00
9	77800-023250	31FKPUMPE53T6	MTX5-3 60Hz 220VAC 7.7A Single phase pump, 1.3kW	1,183.00
	77800-002996	31FKPUMPCM15-2	CM15-2 60Hz 220VAC 14.8A / 440VAC 7.2A Three phase pump, 4kW	2,775.00
10	45000-008759	31FK3ALMFRMPUMP	Aluminum frame set for pump	181.00
	-	-	Aluminum frame (not available as a spare part)	0.00
12	33220-001300	31FKNPTSWBDMTRX	Pump switchboard for MTX5-3	1,886.00
	77100-013640	31FKLUCBC12B	Pump switchboard contactor for MTX5-3	410.00
	33220-001450	31FKNPTSWBDCM15	Pump switchboard for CM15-2	1,759.00
	77100-013620	31FKLUCBC18B	Pump switchboard contactor for CM15-2	371.00
13	74340-003580	31ECPH4G24ACWL	EC/pH 4G Monitor, 24vAC, Wall Mount, requires EC and pH sensor	974.00
14	45000-008757	31FK3ALMFRMNMCPRO	Aluminum frame set for NMC Pro controller	388.00
	45000-008758	31FK3ALMFRMNM CJR	Aluminum frame set for NMC Jr Pro controller	388.00
16	77300-016010	31PLUGDN16	Plug, DN16 (1/2") BSP	2.10
17	00110-001810	6809020-160	Pressure gauge, 1/4" MIPT, 0-160 psi	91.00
18	45000-006701	31PHSENSABB	pH sensor, JUMO 12mm, glass, bare wire	456.00
19	45000-006705	31ECSSENSABB4G	EC & temperature sensor, JUMO 12mm, bare wire	638.00
20	33120-008500	31SNSUNION	EC/pH sensor union set, 3/4" BSP	95.00
21	77800-002180	31FKPRESSWITCH	Pressure switch, 14 to 45 psi (1 to 3 bar), 1/4" BSP male	230.00
22	77400-027100	31PLUGDN8	Plug, DN8 (1/4") BSP	4.40

# NETAFLEX 3G

SPARE PARTS &  
CALIBRATION FLUIDS  
INCLUDED

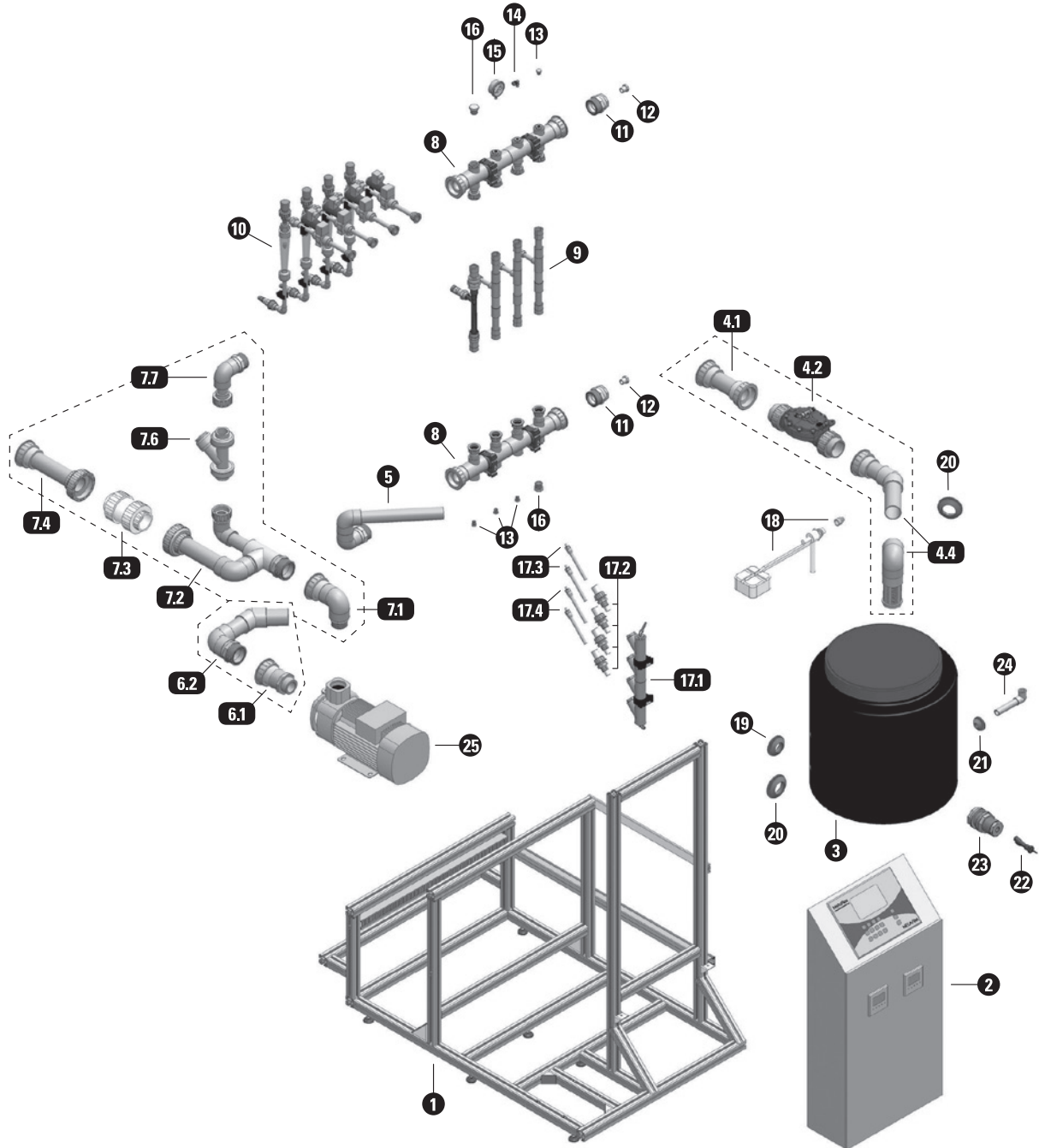


## NETAFLEX 3G

ITEM NUMBER	MODEL NUMBER	DESCRIPTION	PRICE EACH
33400-000012	31NF6F150CM15-2	<p>"NetaFlex 3G: High Flow (up to 80 GPM): includes 6 fertilizer dosing channels at 150 l/h (35 GPH), can be used for diluted acid (see manual for limitations), 220VAC three phase booster pump (CM15-2), electrical control box with disconnect, pump breaker, and Hand-Off-Auto selector switch, metal enclosure</p> <p>EC/pH Monitoring Kit: includes 4G Monitor (24VAC, panel mount), 1 EC sensor, 1 pH sensor, calibration fluid packets (5 each of pH 7.0, pH 4.0, EC 1.41), PVC unions</p> <p>NMC Pro Irrigation Controller: 115VAC power supply, 250VA 24VAC transformer, includes 16 24VAC outputs (7 used by NetaFlex, 9 free), 8 digital inputs (1 used by NetaFlex, 7 free), 11 analog inputs (2 used by EC/pH Monitoring Kit, 9 free), data plug backup key, 6 expansion slots"</p>	30,912.00
33400-000013	31NF6F50CM10-2	<p>"NetaFlex 3G: Low Flow (up to 50 GPM): includes 6 fertilizer dosing channels at 50 l/h (13 GPH), can be used for diluted acid (see manual for limitations), 220VAC three phase booster pump (CM10-2), electrical control box with disconnect, pump breaker, and Hand-Off-Auto selector switch, metal enclosure</p> <p>EC/pH Monitoring Kit: includes 4G Monitor (24VAC, panel mount), 1 EC sensor, 1 pH sensor, calibration fluid packets (5 each of pH 7.0, pH 4.0, EC 1.41), PVC unions</p> <p>NMC Pro Irrigation Controller: 115VAC power supply, 250VA 24VAC transformer, includes 16 24VAC outputs (7 used by NetaFlex, 9 free), 8 digital inputs (1 used by NetaFlex, 7 free), 11 analog inputs (2 used by EC/pH Monitoring Kit, 9 free), data plug backup key, 6 expansion slots"</p>	30,085.00

# NETAFLEX 3G

## NETAFLEX 3G PARTS



# NETAFLEX 3G

## NETAFLEX 3G SAPRE PARTS

KEY	ITEM NUMBER	MODEL NUMBER	DESCRIPTION	PRICE EACH
1	-	-	Frame for NetaFlex 3g (Not available as a spare part)	-
2	77100-013620	31FKLUCBC18B	Contactora for CM10-2 & 15-2 pump	371.00
3	77600-001986	31NFTANK200L	WATER TANK 200L-BLUE55CM DIAM.114CM-HIGH	Call for Quote
4	33240-006878	31NFINLET	NetaFlex Inlet Kit	578.00
4.1	33240-006660	31NFINLET2VLV	System Inlet (part of kit)	122.00
4.2	71600-035968	3161FL323PLNOFLOAT	Float valve (part of kit)	391.00
4.4	33240-006310	31NFINLETVLV2TANK	Float valve to tank adaptor (part of kit)	191.00
5	33240-006400	31NFMANTANKINLET	Lower manifold to tank adaptor	Call for Quote
6	33240-006881	31NFPUMPINCM10-2	Tank to Pump Inlet Kit for Grundfos CM10-2	Call for Quote
	33240-006879	31NFPUMPINCM15-2	Tank to Pump Inlet Kit for Grundfos CM15-2	Call for Quote
6.1	33240-006880	31NFPUMPOUTCM10-2	Pump Outlet for Grundfos CM10-2	Call for Quote
	33240-006877	31NFPUMPOUTCM15-2	Pump Outlet for Grundfos CM15-2	Call for Quote
7.3	77400-032600	31NFOUTLECHKVLV	Check valve (part of kit)	163.00
7.4	33240-006875	31NFCKVLVDCM10-2	Check valve for Grundfos CM10-2	
	33240-006872	31NFCKVLVDCM15-2	Check valve for Grundfos CM15-2	
7.6	77540-007100	31NFSCREENFILTER	Screen Filter 100 Mesh	175.00
	77540-007110	31NFSCRELEMENTPVCU	Screen Filter Element 100 Mesh	26.00
	77540-007120	31NFSCRELEMENTSS	Screen Filter Element 240 Mesh	26.00
8	33240-002100	31FKIT3GMANIF	Upper / lower manifold	380.00
9	33240-003200	31FK3SVENT13GPH	Venturi PVDF-M50 (13 GPH)	280.00
	33240-003250	31FK3SVENT13GPHD	Venturi PVDF-M50 (13 GPH) Dual	290.00
	33240-002370	31FK3SVENT150GPH	Venturi PVC-N600 (158 GPH)	158.00
	33240-002375	31FK3SVENT150GPHD	Venturi PVC-N600 (158 GPH) Dual	170.00
10	33230-007500	31NF3GDCH13GPHV	NETAFLEX-DOSING CHANNEL-13GPH	605.00
	33230-501000	31NF3GDCH35GPHV	NETAFLEX-DOSING CHANNEL-35GPH	574.00
	33230-001680	31FK3GDCH95GPHV	FSA-CH-400L/H-S12-VITON-PP370	964.00
11	33240-002251	31FK3PVCRED50-05	Reducer 50mm - 1/2"	50.00
12	77300-016010	-	PVC threaded plug 1/2" - male	Call for Quote
13	77300-016000	-	Plug 1/4"	Call for Quote
14	76400-003503	55P4694804-B	Plastic Male 90° Elbow 8 mm x 1/4" (10/bag)	59.40
15	00110-001810	6809020-160	Pressure Gauge 0-160 psi, 1/4"	91.00
16	77400-027100	31PLUGDN8	PVC threaded plug 3/4" - male	Call for Quote
17.1	33240-003050	31ECPHMANIFOLD	EC/pH manifold (single EC & pH)	187.00
17.2	33120-008500	31SNSUNION	Union adapter set for EC/pH sensor	95.00
17.3	45000-006705	31ECSSENSABB4G	EC+TEMP SENSOR JUMO 12MM	638.00
17.4	45000-006692	31PHSENS4GBNC	PH SENSOR JUMO 12MM GLASS W/BNC CONNECT	345.00
18	75080-002900	31WLFLOAT.5	Water level float 1/2"	42.00
19	77600-014000	31NFTANKSEALFERT	Penetration seal for lower manifold to tank adaptor	28.00
20	77600-006550	31NFTANKSEALINOUT	Penetration seal for Tank Inlet/Outlet	28.00
21	77600-006510	31NFOVERFLOWSEAL	Penetration seal for Overflow assembly	28.00
22	77100-007930	31NFLOWSWITCH	Low level switch	86.00
23	33240-006220	31NFFLOWSWITCHCASE	Low level switch casing	163.00
24	33240-006450	31NFOVERFLOW	Overflow assembly	Call for Quote
25	77800-027315	31FKPUMPCR45-1	Grundfos CR45-1 Pump, Three Phase 60Hz	9,444.00
	77800-003019	31FKPUMPCM10-2	Grundfos CM10-2 Pump, Three Phase 60Hz	1,923.00
	77800-002996	31FKPUMPCM15-2	Grundfos CM15-2 Pump, Three Phase 60Hz	2,775.00

# NMC PRO IRRIGATION CONTROLLER



## NMC PRO IRRIGATION CONTROLLER

ITEM NUMBER	MODEL NUMBER	DESCRIPTION	PRICE EACH
74340-003095	31NMCPRO	NMC Pro Irrigation Controller, 115VAC power supply, 80VA 24VAC transformer, includes 16 24VAC outputs, 8 digital inputs, data plug backup key, 7 expansion slots, double door enclosure, and external 115VAC surge suppressor	7,668.00

## NMC PRO CONTROLLER COMMUNICATION OPTIONS

ITEM NUMBER	MODEL NUMBER	DESCRIPTION	PRICE EACH
74340-000020	31NMCAIR+KIT-VZ	NMC Air+ Kit for the NMC Pro or Junior controller, includes NMC Air+ Comm-box, Verizon cellular modem, 115VAC power supply, enclosure, and 1-year license. RS485 communication card is required but it is not included. If the NMC Pro does not already have the RS485 communication card, please select either 74340-009200 or 74340-012800.	4,834.00
74340-000021	31NMCAIR+COMBOX-VZ	NMC Air+ Comm-box with Verizon cellular modem (replacement part)	4,624.00
74340-000018	31NMCAIR+ANNUALFEE	NMC Air + Annual Subscription for NMC PRO and NMC JR PRO	1,200.00

## NMC PRO & CLIMATE CONTROLLER SENSOR OPTIONS

ITEM NUMBER	MODEL NUMBER	DESCRIPTION	PRICE EACH
74340-004955	31NMCWEATHER	Weather Station for NMC Pro controller, includes solar radiation, wind speed, wind direction, temperature, humidity, and tipping rain bucket	4,677.00
74340-000002	31GHTRH	Greenhouse temperature and relative humidity kit, includes temperature sensor, relative humidity sensor, powered ventilation box	1,569.00
74340-004270	31GHT	Greenhouse temperature kit, includes temperature sensor and powered ventilation box	891.00
74340-008200	31TEMP/RH	Temperature and relative humidity sensors with basic shield	1,535.00
74340-004300	31TEMP	Temperature sensor with basic shield	286.00
00107-014020	31PT200-4-20MA	Pressure transducer, 200 psi, 4-20mA, 1/4 MIPT, M12 Male connector	574.00
00107-014021	31PTCABLE2M	Pressure transducer, 2 m (6 ft), M12 Female connector	33.00
33000-003315	31ECPHKIT4G	EC & pH Kit, includes 24VAC wall mount transmitter, 1 EC sensor, 1 pH sensor, calibration fluid packets (5 each of pH 7.0, pH 4.0, EC 1.41), PVC unions	2,036.00

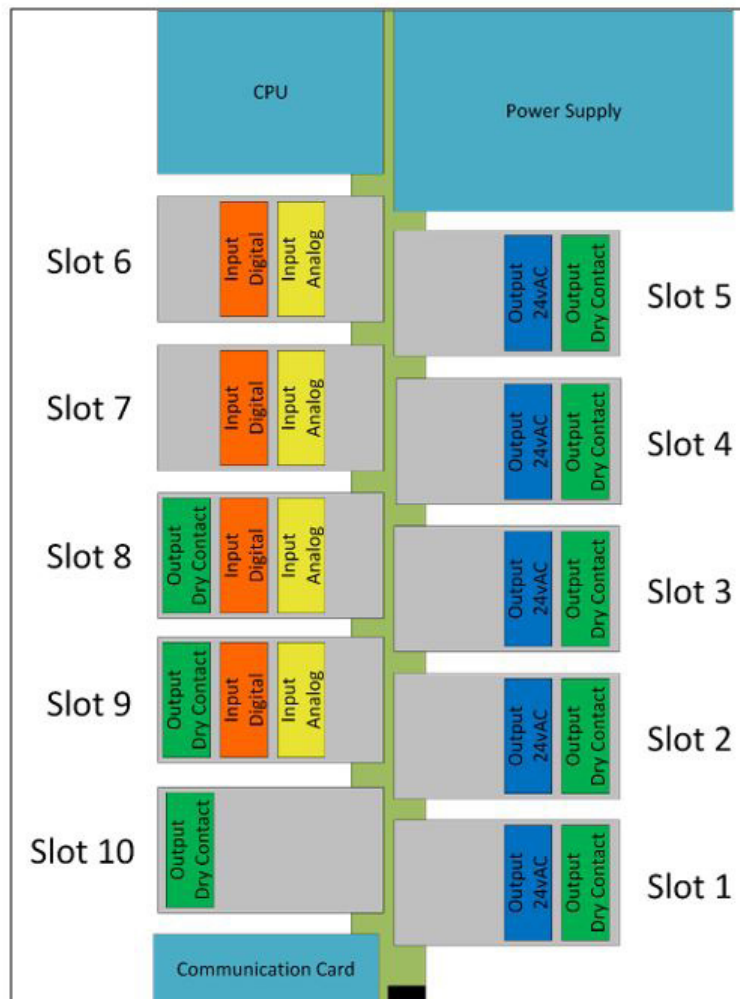
# NMC PRO IRRIGATION CONTROLLER

## NMC PRO EXPANSION OPTIONS

ITEM NUMBER	MODEL NUMBER	DESCRIPTION	PRICE EACH
74340-014100	31NMCPROXPANBX	NMC Pro Expansion Box (up to 3 per NMC Pro controller), 115VAC power supply, 350VA 24VAC transformer, includes expansion CPU with RS232/RS485 communication, 10 expansion slots, and enclosure. Requires input/output boards	3,476.00
74340-008500	31NMC640B	Output board, 8 outputs, 24VAC (limit 5 per NMC Pro / NMC Pro expansion box)	583.00
74340-008600	31NMC640BDC	Output board, 8 outputs, dry contact (limit 8 per NMC Pro / NMC Pro expansion box)	583.00
74340-008800	31NMC64IBDP	Input board, 8 digital/pulse inputs (limit 4 per NMC Pro / NMC Pro expansion box)	539.00
74340-008900	31NMC64IBA	Input board, 11 analog inputs (limit 2 per NMC Pro / NMC Pro expansion box)	626.00
74340-009530	31NMCPROLICENSEKEY	NMC Pro/DC RTU license key, 128 outputs	1,105.00
74340-009560	31NMCPROLICENSE256	NMC Pro/DC RTU license key, 256 outputs	2,007.00

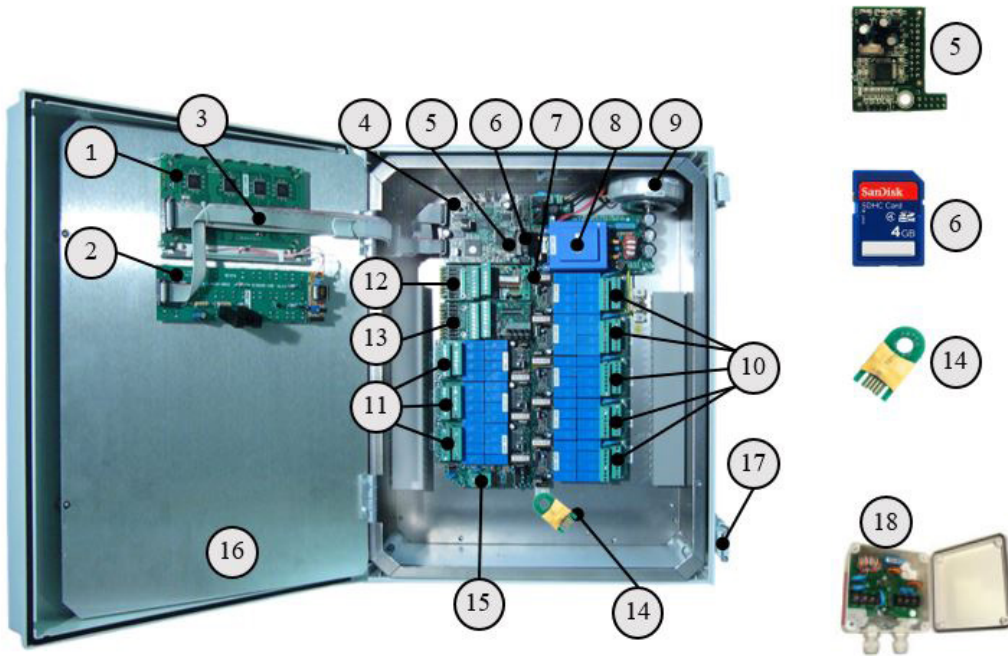
## NMC PRO INPUT / OUTPUT BOARD OPTIONS

The NMC Pro can accommodate several different input / output cards, but there are restrictions on where these cards plug in and how many are allowed. Use this diagram to determine which cards are needed.





# NMC PRO IRRIGATION & CLIMATE CONTROLLER



## NMC PRO SPARE PARTS - IRRIGATION CONTROLLER & CLIMATE CONTROLLER

KEY	ITEM NUMBER	MODEL NUMBER	DESCRIPTION	PRICE EACH
1	74340-004920	31NMCPRDISP	NMC Pro/DC Display with LED Backlight	1,191.00
2	74340-003300	31NMCPROKEY	NMC Pro/DC Keyboard for LED Backlight	419.00
3	74340-020800	31NMCPRORIBBONS	NMC Pro/DC Display and Keyboard Ribbon Cable Set	Call for Quote
4	74340-014600	31NMCPROCPUCARD	NMC Pro CPU Card, includes SD Card	2,113.00
	74340-012700	31NMCPROCPUEXP	NMC Pro Expansion CPU Card	811.00
5	74340-009530	31NMCPROLICENSEKEY	NMC Pro/DC RTU license key, 128 outputs	1,105.00
	74340-009560	31NMCPROLICENSE256	NMC Pro/DC RTU license key, 256 outputs	2,007.00
6	74340-014650	31NMCSDCARD	NMC Pro/DC/Jr Pro SD Card	52.00
7	74340-007800	31NMC64IOBUSS	NMC Pro I/O Bus Card	273.00
8	74340-007900	31NMC64PS	NMC Pro Power Supply Card, 115VAC	903.00
	74340-009300	31NMCPROPWR12V	NMC Pro Power Supply Card, 12VDC	458.00
9	74340-008050	31NMCPROTRANS24	NMC Pro 115/24VAC transformer (requires 74340-007900)	242.00
10	74340-008500	31NMC64OB	NMC Pro Output card, 8 outputs, 24VAC (limit 5 per NMC Pro / NMC Pro expansion box)	583.00
11	74340-008600	31NMC64OBDC	NMC Pro Output card, 8 outputs, dry contact (limit 8 per NMC Pro / NMC Pro expansion box)	583.00
12	74340-008800	31NMC64IBDP	NMC Pro Input card, 8 digital/pulse inputs (limit 4 per NMC Pro / NMC Pro expansion box)	539.00
13	74340-008900	31NMC64IBA	NMC Pro Input card, 11 analog inputs (limit 2 per NMC Pro / NMC Pro expansion box)	626.00
14	74340-014500	31NMCPRDDP	NMC Pro/DC/Jr Pro Data Plug (Gold)	249.00
15	74340-009100	31NMC64CCR	NMC Pro/DC Communication Card RS232 / RS232	1,524.00
	74340-009200	31NMC64CC	NMC Pro/DC Communication Card RS485 / RS232	539.00
	74340-012800	31NMC64CCRS485	NMC Pro/DC Communication Card RS485 / RS485	554.00
16	74340-016670	31NMCPRDDBL	NMC Pro Double Door Enclosure, includes box, metal door, metal back plate, and stickers	1,027.00
17	74340-001930	31NMCCLATCHDOOR	NMC Pro Double Door Latch	27.00
18	74340-003760	31NMCPLPBOX	NMC Pro/Jr Pro Power Supply Surge Suppressor	257.00
-	74340-014700	31NMC64UPKIT	NMC 64 Upgrade Kit, includes NMC Pro CPU, SD Card, Digital Input Card V3 Chip, NMC Pro/DC/Jr Pro Data Plug (Gold)	2,588.00



# NMC JUNIOR PRO IRRIGATION CONTROLLER



## NMC JUNIOR PRO

ITEM NUMBER	MODEL NUMBER	DESCRIPTION	PRICE EACH
74340-023960	31NMCJRPROLC	NMC Junior Pro Irrigation Controller, 115VAC power supply, 50VA 24VAC transformer, includes 15 24VAC outputs, 6 digital inputs, 5 analog inputs (1 EC, 1 pH, 2 Temperature, 1 Humidity sensor), data plug backup key, double door enclosure, and external 115VAC surge suppressor	3,290.00

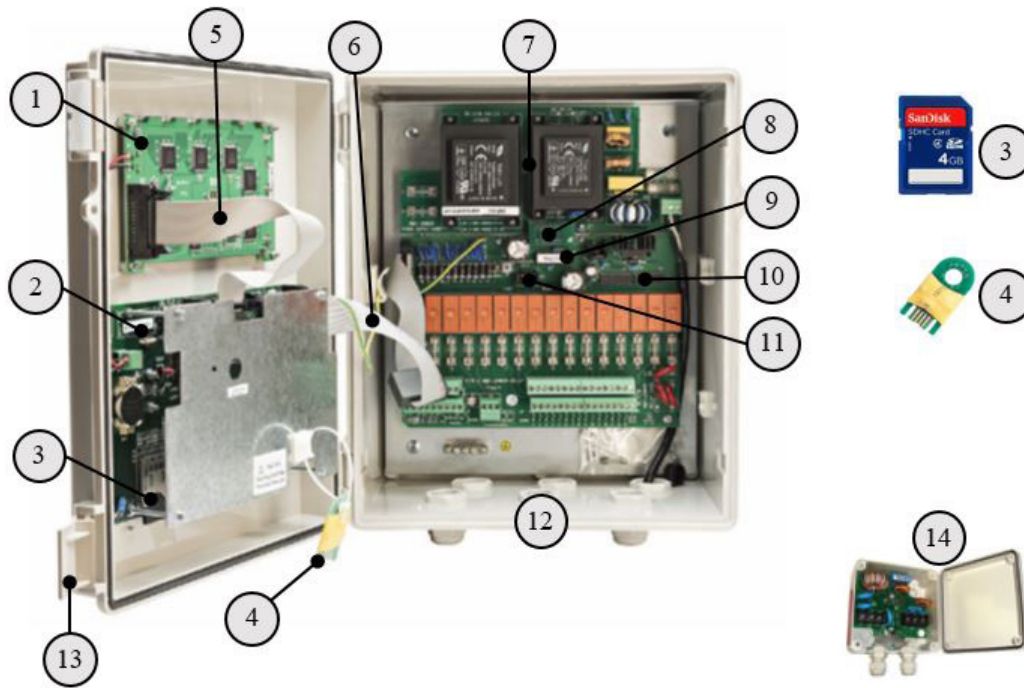
## NMC JUNIOR PRO COMMUNICATIONS OPTIONS

ITEM NUMBER	MODEL NUMBER	DESCRIPTION	PRICE EACH
74340-000020	31NMCAIR+KIT-VZ	NMC Air+ Kit for the NMC Pro or Junior controller, includes NMC Air+ Comm-box, Verizon cellular modem, 115VAC power supply, enclosure, and 1-year license. RS485 communication card is required but it is not included. If the NMC Junior Pro does not already have the RS485 communication card, please select 74340-006700.	4,834.00
74340-000021	31NMCAIR+COMBOX-VZ	NMC Air+ Comm-box with Verizon cellular modem (replacement part)	4,624.00
74340-000018	31NMCAIR+ANNUALFEE	NMC Air + Annual Subscription for NMC PRO and NMC JR PRO	1,200.00

## NMC JUNIOR PRO SENSOR OPTIONS

ITEM NUMBER	MODEL NUMBER	DESCRIPTION	PRICE EACH
74340-000002	31GHTRH	Greenhouse temperature and relative humidity kit, includes temperature sensor, relative humidity sensor, powered ventilation box	1,569.00
74340-004270	31GHT	Greenhouse temperature kit, includes temperature sensor and powered ventilation box	891.00
74340-008200	31TEMP/RH	Temperature and relative humidity sensors with basic shield	1,535.00
74340-004300	31TEMP	Temperature sensor with basic shield	286.00
33000-003315	31ECPHKIT4G	EC & pH Kit, includes 24VAC wall mount transmitter, 1 EC sensor, 1 pH sensor, calibration fluid packets (5 each of pH 7.0, pH 4.0, EC 1.41), PVC unions	2,036.00

# NMC JUNIOR PRO IRRIGATION CONTROLLER



## NMC JUNIOR PRO SPARE PARTS

KEY	ITEM NUMBER	MODEL NUMBER	DESCRIPTION	PRICE EACH
1	74340-004920	31NMCPRODISP	NMC Pro/DC/Jr Pro Display with LED Backlight	1,191.00
2	74340-009980	31NMCJRPROLEDPCU	NMC Jr Pro CPU & Keyboard for LED Backlight	1,053.00
3	74340-014650	31NMCSDCARD	NMC Pro/DC/Jr Pro SD Card	52.00
4	74340-014500	31NMCPRODP	NMC Pro/DC/Jr Pro Data Plug (Gold)	249.00
5	74340-004973	31NMCJRDISPCABLE	NMC Jr Pro Ribbon Cable for Display	28.00
6	74340-004972	31NMCJRINOUTCABLE	NMC Jr Pro Ribbon Cable for I/O Card	28.00
7	74340-004995	31NMCJRPSCARD115V	NMC Jr Pro Power Supply Card, 115VAC	604.00
	74340-004997	31NMCJRPSDC	NMC Jr Pro Power Supply Card, 12VDC	458.00
8	74340-006500	31NMC15/OCABLE	NMC Jr Pro Power Supply I/O Card Bridge	46.00
9	74340-005103	31NMCJRINOUTCHIP	NMC Jr Pro I/O Control Chip	28.00
10	74340-009490	31NMCJRINOUTCARD	NMC Jr Pro I/O Card, 15 outputs, 6 digital inputs, 5 analog inputs (1 EC, 1 pH, 2 Temperature, 1 Humidity)	787.00
11	74340-006600	31NMC15RS232	NMC Jr Pro Communication Card, RS232	615.00
	74340-006700	31NMCJRRS485	NMC Jr Pro Communication Card, RS485	615.00
12	74340-014750	31NMCJRDDBOX	NMC Jr Pro Double Door Enclosure, includes box, metal door, metal backplate (requires 74340-016560)	281.00
-	74340-016560	31NMCJRSTICKER	NMC Jr Pro Sticker	52.00
13	74340-006650	31NMCJRCLATCH	NMC DC/Jr Pro Door Latch	23.00
14	74340-003760	31NMCPLPBOX	NMC Power Supply Surge Suppressor	257.00

# NMC DC IRRIGATION CONTROLLER



## NMC DC

ITEM NUMBER	MODEL NUMBER	DESCRIPTION	PRICE EACH
74340-013950	31NMCDC	NMC DC Irrigation Controller, 12VDC charging regulator, includes 8 12VDC latching outputs, 4 digital inputs, 4 analog inputs, data plug backup key, double door enclosure, requires solar panel or 12VDC power supply	4,707.00

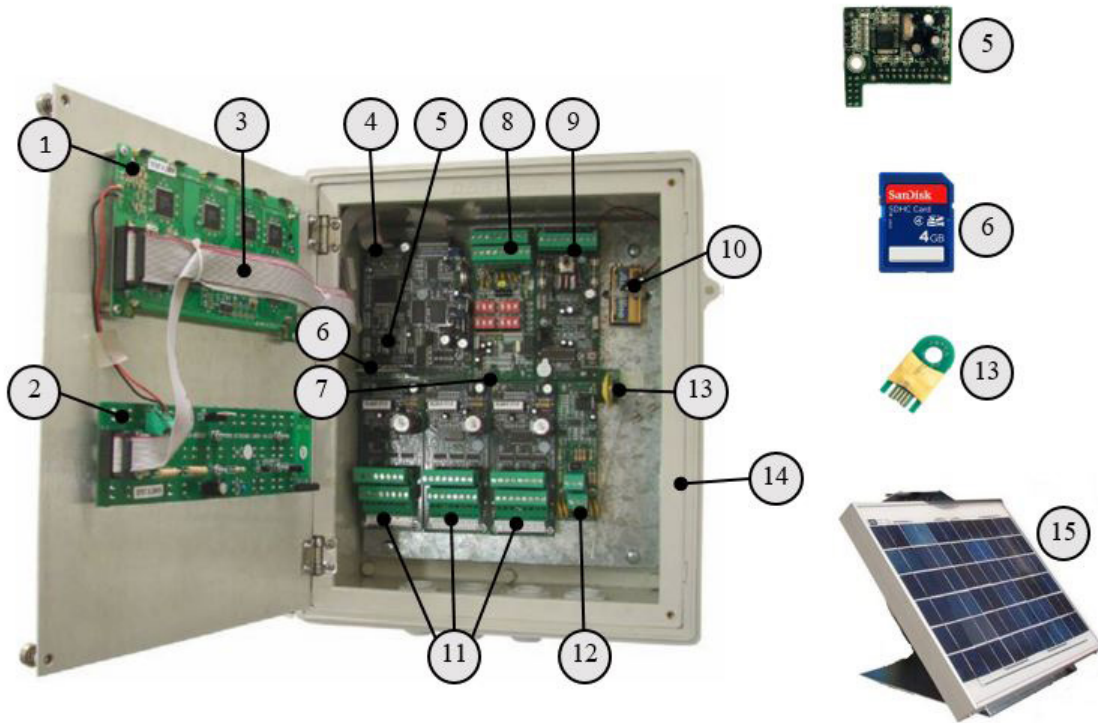
## NMC DC SENSOR OPTIONS

ITEM NUMBER	MODEL NUMBER	DESCRIPTION	PRICE EACH
74340-000002	31GHTRH	Greenhouse temperature and relative humidity kit, includes temperature sensor, relative humidity sensor, powered ventilation box	1,569.00
74340-004270	31GHT	Greenhouse temperature kit, includes temperature sensor and powered ventilation box	891.00
74340-008200	31TEMP/RH	Temperature and relative humidity sensors with basic shield	1,535.00
74340-004300	31TEMP	Temperature sensor with basic shield	286.00
00107-014020	31PT200-4-20MA	Pressure transducer, 200 psi, 4-20mA, 1/4 MIPT, M12 Male connector	574.00
00107-014021	31PTCABLE2M	Pressure transducer, 2 m (6 ft), M12 Female connector	33.00
33000-003315	31ECPHKIT4G	EC & pH Kit, includes 24VAC wall mount transmitter, 1 EC sensor, 1 pH sensor, calibration fluid packets (5 each of pH 7.0, pH 4.0, EC 1.41), PVC unions	2,036.00

## NMC DC EXPANSION OPTIONS

ITEM NUMBER	MODEL NUMBER	DESCRIPTION	PRICE EACH
74340-009530	31NMCPROLICENSEKEY	NMC Pro/DC RTU license key, 128 outputs	1,105.00
74340-009560	31NMCPROLICENSE256	NMC Pro/DC RTU license key, 256 outputs	2,007.00

# NMC DC IRRIGATION CONTROLLER



## NMC DC SPARE PARTS

KEY	ITEM NUMBER	MODEL NUMBER	DESCRIPTION	PRICE EACH
1	74340-004920	31NMCPRDISP	NMC Pro/DC/Jr Pro Display with LED Backlight	1,191.00
2	74340-003300	31NMCPROKEY	NMC Pro/DC Keyboard for LED Backlight	419.00
3	74340-008300	31NMCPROFLATCABL	NMC Pro/DC Display and Keyboard Ribbon Cable Set	128.00
4	74340-022000	31NMCDCCPU	NMC DC CPU Card, without SD Memory Card	1,881.00
5	74340-009530	31NMCPROLICENSEKEY	NMC Pro/DC RTU license key, 128 outputs	1,105.00
	74340-009560	31NMCPROLICENSE256	NMC Pro/DC RTU license key, 256 outputs	2,007.00
6	74340-014650	31NMCSDCARD	NMC Pro/DC/Jr Pro SD Card	52.00
7	74340-022300	31NMCDCBUS	NMC DC I/O Bus Card	96.00
8	74340-022100	31NMCDCINP	NMC DC Input Card, 4 digital, 4 analog (Temp, 0-5v, 4-20mA user selectable)	515.00
9	74340-022400	31NMCDCPOWER	NMC DC Power supply and charging regulator card	291.00
10	00005-009500		9VDC Backup Battery	Call
11	74340-022200	31NMCCLATCHOUT	NMC DC Latching Output Card, 8 outputs (limit 3 per NMC DC controller)	537.00
12	74340-009100	31NMCRCR	NMC Pro/DC Communication Card RS232 / RS232	1,524.00
	74340-009200	31NMC64CC	NMC Pro/DC Communication Card RS485 / RS232	539.00
	74340-012800	31NMCPR02RS485	NMC Pro/DC Communication Card RS485 / RS485	554.00
13	74340-014500	31NMCPRDDP	NMC Pro/DC/Jr Pro Data Plug (Gold)	249.00
14	74340-014760	31NMCDCBOX	NMC DC Double Door Enclosure, includes box, metal door, metal back plate, and stickers	635.00
-	74340-006650	31NMCJRDCATCH	NMC DC/Jr Door Latch	23.00
15	74340-023500	31SOLARPANEL	NMC DC Solar Panel Kit, includes 20VA solar panel, 12VDC 9AH SLA battery, mounting bracket	1,573.00
-	74340-022850	31BRKTNMDC	NMC DC Pole mount bracket with battery holder	363.00

# COMPONENTS

## EC/PH 4G

ITEM NUMBER	MODEL NUMBER	DESCRIPTION	PRICE EACH
33000-003315	31ECPHKIT4G	EC & pH Kit, includes 4G Monitor (24VAC, wall mount), 1 EC sensor, 1 pH sensor, calibration fluid packets (5 each of pH 7.0, pH 4.0, EC 1.41), PVC unions	2,036.00
74340-003580	31ECPH4G24ACWL	EC & pH 4G Monitor for single EC & pH sensor, 24VAC, wall mount, requires EC & pH sensors	974.00
74340-003581	31ECPH4GDL24ACPL	EC & pH 4G Monitor for single EC & pH sensor, 24VAC, panel mount, requires EC & pH sensors	1,124.00
74340-003582	-	EC & pH 4G Monitor for dual EC & pH sensors, 24VAC, panel mount, requires 2 EC & 2 pH sensors	1,881.00
45000-006705	31ECSSENSABB4G	EC & temperature sensor, JUMO 12mm, bare wire	638.00
45000-006692	31PHSENS4GBNC	pH sensor, JUMO 12mm, glass, BNC connector	345.00
33120-008500	31SNSUNION	EC/pH sensor union set, 3/4" MIPT	95.00
45000-006480	31ECCALIB	EC Calibration fluid, 20mL	4.60
45000-006440	31PHBUFFER4.0	pH Calibration fluid, 20mL, pH 4.0	4.60
45000-006460	31PHBUFFER7.0	pH Calibration fluid, 20mL, pH 7.0	4.60

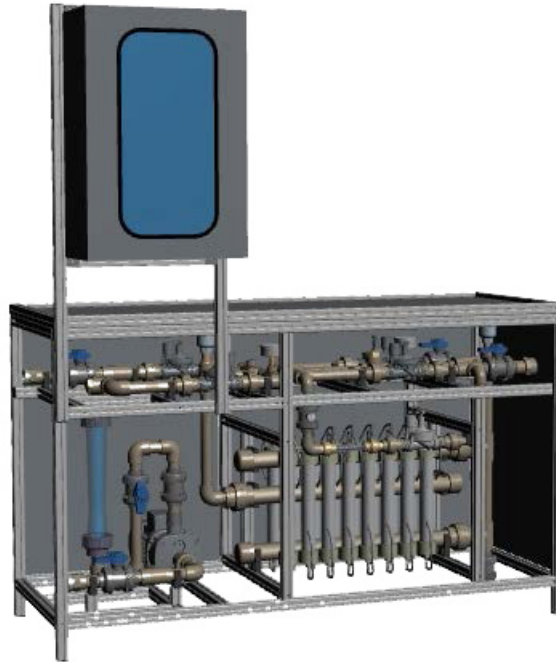
## INPUTS/SENSORS

ITEM NUMBER	MODEL NUMBER	DESCRIPTION	PRICE EACH
74340-004955	31NMCWEATHER	Weather Station for NMC Pro controller, includes solar radiation, wind speed, wind direction, temperature, humidity, and tipping rain bucket	4,677.00
74340-000002	31GHTRH	Greenhouse temperature and relative humidity kit, includes temperature sensor, relative humidity sensor, powered ventilation box	1,569.00
74340-004270	31GHT	Greenhouse temperature kit, includes temperature sensor and powered ventilation box	891.00
74340-008200	31TEMP/RH	Temperature and relative humidity sensors with basic shield	1,535.00
74340-004300	31TEMP	Temperature sensor with basic shield	286.00
74340-010400	31RS	Radiation shield for temperature and relative humidity sensor	615.00
74340-010300	31CTS	Temperature sensor	179.00
74340-010100	31CB	Climatic box, for housing temperature and relative humidity sensors	903.00
74340-010200	31CCBF	Climatic box fan, for adding powered ventilation to climatic box	191.00
00107-014020	31PT200-4-20MA	Pressure transducer, 200 psi, 4-20mA, 1/4 MIPT, M12 Male connector	574.00
00107-014021	31PTCABLE2M	Pressure transducer, 2 m (6 ft), M12 Female connector	33.00
70261-011000	36FM.75RG.1	Fertilizer flow meter, 3/4" BSP w/ NPT adapters, 0.1 USG/pulse	504.00

## OUTPUTS/CONTROL

ITEM NUMBER	MODEL NUMBER	DESCRIPTION	PRICE EACH
35500-001300	3135500-001300	Aquatic solenoid, 24VAC, with bracket	104.00
35500-002000	3135500-002000	Aquatic solenoid, 12VDC latching, with bracket	99.00
35500-002100	61AQTVDCL2	Aquatic solenoid (2), 12VDC latching, with bracket	243.00
35500-002200	61AQTVDCL3	Aquatic solenoid (3), 12VDC latching, with bracket	285.00
35500-002300	61AQTVDCL4	Aquatic solenoid (4), 12VDC latching, with bracket	345.00
00107-005450	28RELAY12VDCL	Output relay DPDT, 12VDC latching, with base	213.00
77100-012020	31NETACIDCON	Direct pump control box, single phase up to 20 Amp, includes Hand-Off-Auto selector switch, solid state relay	745.00

# NUF RUNOFF RECYCLING



## NUF® RUNOFF RECYCLING SYSTEM

ITEM NUMBER	MODEL NUMBER	DESCRIPTION	PRICE EACH
70180-000100	31NUF8GPMUS	NUF 8 GPM US	46,987.00
70180-000101	31NUF20GPMUS	NUF 20 GPM US	78,842.00
72300-001410	31VDE63MM2INKIT	TRANS. KIT FOR MIX. VLV. 63 TO 2" GLUE	109.00
72300-001250	31VDEVK21-63	MIXING VALVE VDE VK21-63 24V90SEC 90DEG	4,730.00

# NUF RUNOFF RECYCLING

## NUF 8 GPM REPLACEMENT PARTS

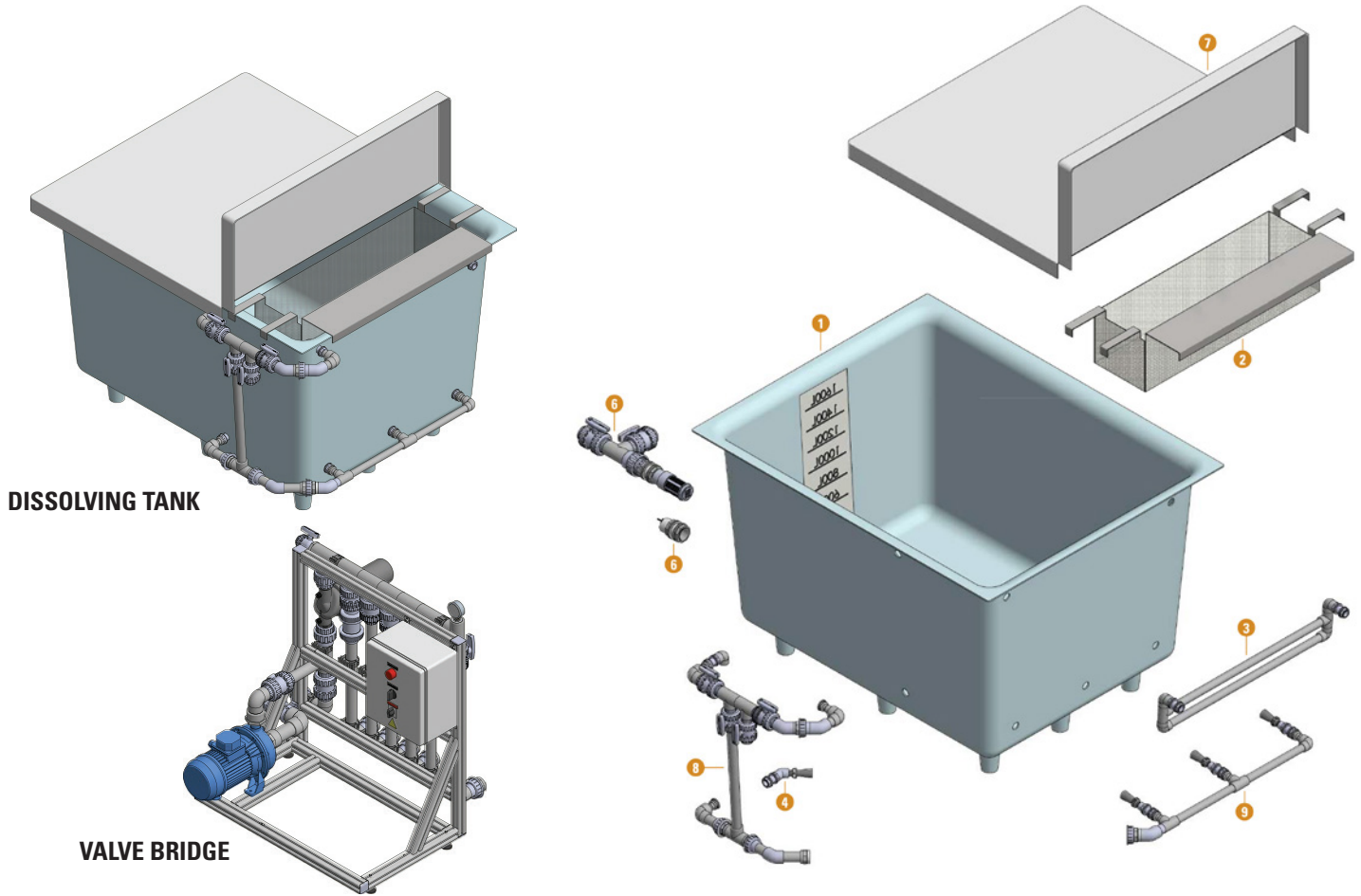
ITEM NUMBER	MODEL NUMBER	DESCRIPTION	PRICE EACH
70180-000215	31NUFMEMBRANE	NUF SINGLE REPLACEMENT MEMBRANE	51.00
70180-000120	31NUF0.75INCHVALVE	NUF Diaphragm valve 3/4" w/o solenoid	Call for Quote
70180-000125	31NUF1INCHVALVE	NUF DIAPHRAGM VALVE 1" W/O SOLENOID	182.00
70180-000130	31NUFAIRVALVE	NUF AIR VALVE	264.00
70180-000140	31NUF40MEMBRANES	NUF MODULE - 40 MEMBRANES	0.00
70180-000235		NUF REPLACEMENT DISCS 100 MICRON	96.00
70180-000145	31NUF25MMPVC	NUF PVC PIPE 25 - BY METER	22.00
70180-000150	31NUF32MMPVC	NUF PVC PIPE 32 - BY METER	33.00
70180-000155	31NUF40MMPVC	NUF PVC PIPE 40 - BY METER	41.00
70180-000160	31NUF25MMSVCKIT	NUF PVC SERVICE KIT 25	74.00
70180-000165	31NUF32MMSVCKIT	NUF PVC SERVICE KIT 32	92.00
70180-000170	31NUF40MMSVCKIT	NUF PVC SERVICE KIT 40	110.00
70180-000175	31NUFSOLENOIDSET	NUF SOLENOID SET	1,561.00
70180-000180	31NUFCVSLNDACCESS	NUF SOLENOID ACCESSORIES CONTROL VALVE	320.00
70180-000185	31NUFPGSLNDACCESS	NUF SOLENOID ACCESSORIES PRESSURE GAUGE	63.00
70180-000190	31NUFAIRCOMPRESS	NUF AIR COMPRESSOR	718.00
70180-000228		NUF PUMP 8GPM	762.00

## NUF 20 GPM REPLACEMENT PARTS

ITEM NUMBER	MODEL NUMBER	DESCRIPTION	PRICE EACH
70180-000215	31NUFMEMBRANE	NUF SINGLE REPLACEMENT MEMBRANE	51.00
70180-000120	31NUF0.75INCHVALVE	NUF Diaphragm valve 3/4" w/o solenoid	Call for Quote
70180-000125	31NUF1INCHVALVE	NUF DIAPHRAGM VALVE 1" W/O SOLENOID	182.00
70180-000130	31NUFAIRVALVE	NUF AIR VALVE	264.00
70180-000140	31NUF40MEMBRANES	NUF MODULE - 40 MEMBRANES	0.00
70180-000235		NUF REPLACEMENT DISCS 100 MICRON	96.00
70180-000145	31NUF25MMPVC	NUF PVC PIPE 25 - BY METER	22.00
70180-000150	31NUF32MMPVC	NUF PVC PIPE 32 - BY METER	33.00
70180-000155	31NUF40MMPVC	NUF PVC PIPE 40 - BY METER	41.00
70180-000160	31NUF25MMSVCKIT	NUF PVC SERVICE KIT 25	74.00
70180-000165	31NUF32MMSVCKIT	NUF PVC SERVICE KIT 32	92.00
70180-000170	31NUF40MMSVCKIT	NUF PVC SERVICE KIT 40	110.00
70180-000175	31NUFSOLENOIDSET	NUF SOLENOID SET	1,561.00
70180-000180	31NUFCVSLNDACCESS	NUF SOLENOID ACCESSORIES CONTROL VALVE	320.00
70180-000185	31NUFPGSLNDACCESS	NUF SOLENOID ACCESSORIES PRESSURE GAUGE	63.00
70180-000190	31NUFAIRCOMPRESS	NUF AIR COMPRESSOR	718.00
70180-000195	31NUF20GMPUMP	NUF PUMP 20GPM	3,487.00
70180-000200	31NUF20GPMSEALKIT	NUF MECHANICAL SEAL KIT FOR PUMP 20GPM	698.00



# NUTRISOLVE



DISSOLVING TANK

VALVE BRIDGE

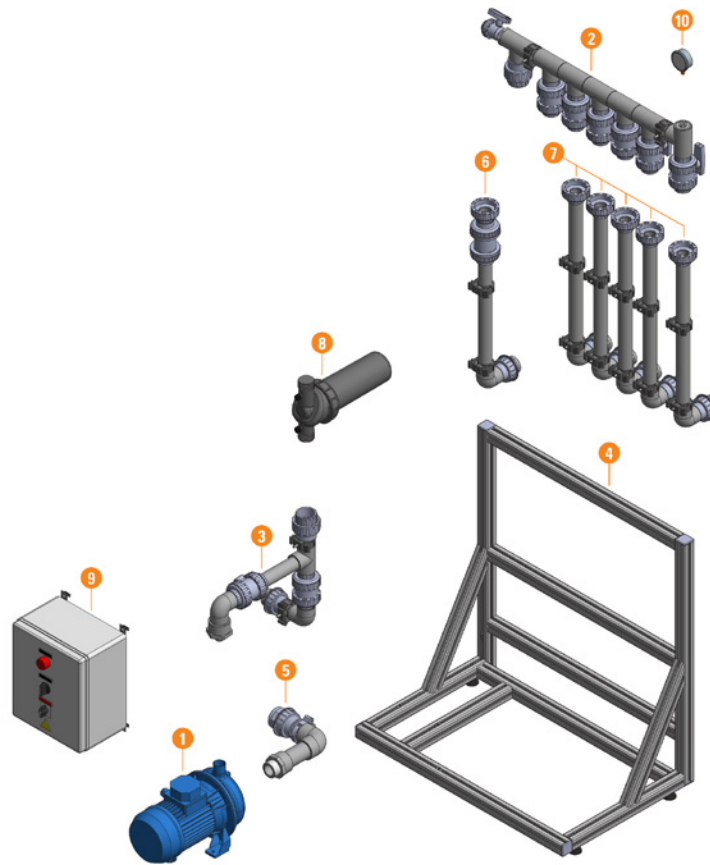
## DISSOLVING TANK AND VALVE BRIDGE

ITEM NUMBER	MODEL NUMBER	DESCRIPTION	PRICE EACH
33800-00001	31NSOLVEVALBRIDGE	Nutrisolve Valve Bridge 60Hz 1600L ASTM	7,870.00
33800-001052	31NSOLVEDISOLVTANK	NTS Dissolving Tank and Accessories ASTM	10,851.00

## NUTRISOLVE DISSOLVING TANK SPARE PARTS

KEY	ITEM NUMBER	MODEL NUMBER	DESCRIPTION	PRICE EACH
1	77600-010350	31NSPOLYTANK1600L	Poly Tank, 1600 Liter with Legs, Drain and Level Indicator	2,961.00
2	45000-040201	31NSTANKBASKETSS	Stainless Steel basket for 1600 Liter Tank	1,971.00
3	33820-002100	31NSDISSOLVINGFLT	Dissolving Flute	60.00
4	33820-002120	31NSEDUCTORSET	Eductor Set	255.00
5	33220-006600	31NSLOWSWITCHASY	Low-level Switch Assembly	116.00
6	33820-003110	31NSTANKLOUT1600L	Tank Outlet	200.00
7	77600-012300	31NSTANKCOVER1600L	Cover for Poly Tank 1600 Liter with Door	752.00
8	33820-003120	31NSFILLMANIFOLD	Filling Manifold	83.00
9	33820-002110	31NSREAREDUCTMANIF	Rear Eductor Manifold	727.00

# NUTRISOLVE



## NUTRISOLVE VALVE BRIDGE SPARE PARTS

KEY	ITEM NUMBER	MODEL NUMBER	DESCRIPTION	PRICE EACH
1	77800-023260	31NSPUMPCDX200-206	Valve Bridge Pump, Single Phase 220V	1,193.00
2	33820-001020	31NSVLVMANIFOLD	Manifold, Valve bridge	225.00
3	33820-003140	31NSPMOUTLT200-20	Pump Outlet CDX 200/20	174.00
4	45000-040000	31NSFRAMEVLVBRDG	Aluminum Frame for Valve Bridge	730.00
5	33820-003150	31NSPUMPINLET	Pump Inlet CDX 200/20	29.00
6	33820-003170	31NSFRESHINLET	Pump Fresh Water Inlet	30.00
7	33820-003160	31NSSOLTANKOUTLET	Solution Tank Outlet	26.00
8	70640-003210	31NSSCRNFILTER1.5	Screen Filter, 1.5", 40 Mesh, Chemical-Resistant	213.00
9	77120-003010	31NSSWB1X220X1.5KW	Nutrisolve Switchboard 1 x 220 v 1.5 Kw	2,309.00
10	77540-003350	31NSPRESSGAUGE	Nutrisolve Pressure gauge 250 glz 8 bar ¼" bsp	23.00

# COMMISSIONING FEES

Note: The discount structure for commissioning fees has changed. Contact your Netafim sales rep.

## COMMISSIONING FEES

ITEM NUMBER	MODEL NUMBER	DESCRIPTION	PRICE EACH
79900-006100	31AIRTRAVEL	Air Travel, Round Trip	1,750.00
79900-006180	31VEHICLETRAVEL	Vehicle Travel / Hour	155.00
79900-006160	31DAILYEXPENSES	Daily Expenses	725.00
79900-006120	31ONSITESERVICE	Commissioning, Service, Training Onsite / Day / Technician	1,700.00
79900-006140	31HOURLYSERVICE	Commissioning, Service, Training / Hour / Technician, 1-hour increments	220.00
79900-006150	31PHONESERVICE	Remote support, phone or via remote web meeting	188.00
79900-006125	31ONSITERETROFIT	Installation, customization / Hour / Technician, 1-hour increments	328.00

**NETAFIM USA**  
5470 E. HOME AVE.  
FRESNO, CA 93727  
CS: 888 638 2346  
[WWW.NETAFIMUSA.COM](http://WWW.NETAFIMUSA.COM)



Precision  
Agriculture



DFP001 11/24