

SAP DESCRIPTION:

MTL SNG 360306 S A08 BFC DC SOL DC NGR

SKU No.

71910-003910

Maximum Flow Rate: 150 m<sup>3</sup>/h

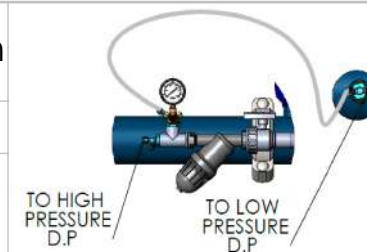
Inlet Pressure: 8 Bar

Sheet Size:

A4

Scale:

1:25



**PROPRIETARY AND CONFIDENTIAL**  
 THE INFORMATION CONTAINED IN THIS DRAWING IS THE SOLE PROPERTY OF NETAFIM. ANY REPRODUCTION IN PART OR AS A WHOLE WITHOUT THE WRITTEN PERMISSION OF NETAFIM IS PROHIBITED

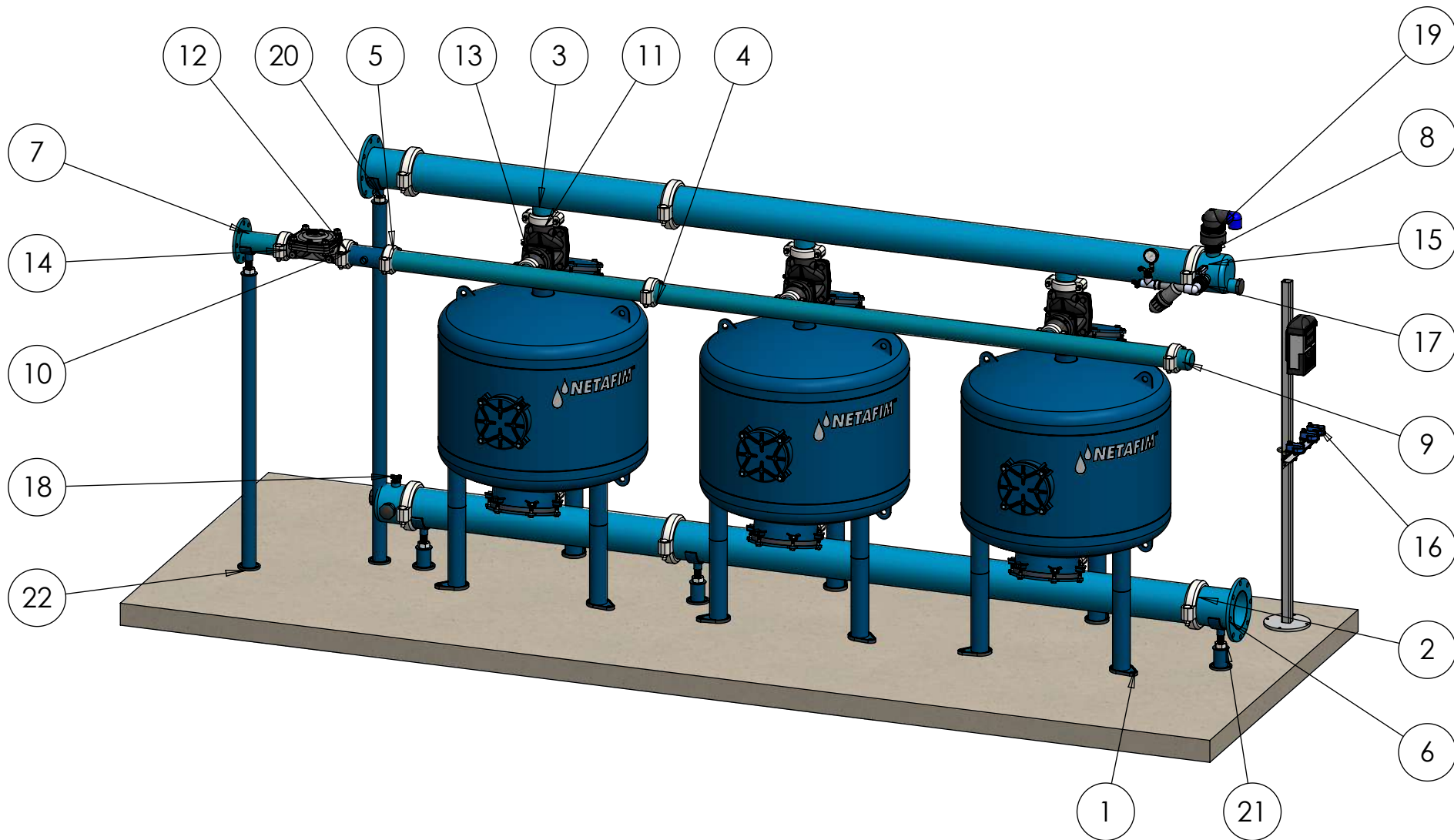
Designed By	t21734	08 Nov 2017
-------------	--------	-------------

Drawn By	Barga	08 Feb 2018
----------	-------	-------------

Checked By		
------------	--	--

QA		
----	--	--

Sheet: 1	Of: 3	Rev. -
----------	-------	--------



SAP DESCRIPTION:  
 MTL SNG 360306 S A08 BFC DC SOL DC NGR

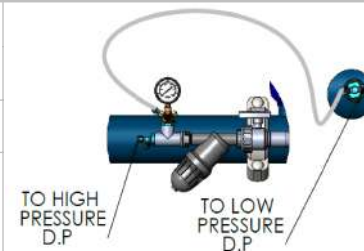
SKU No. 71910-003910

Maximum Flow Rate: 150 m<sup>3</sup>/h

Inlet Pressure: 8 Bar

Sheet Size:  
 A4

Scale:  
 1:25



**PROPRIETARY AND CONFIDENTIAL**  
 THE INFORMATION CONTAINED IN THIS DRAWING IS THE SOLE PROPERTY OF NETAFIM. ANY REPRODUCTION IN PART OR AS A WHOLE WITHOUT THE WRITTEN PERMISSION OF NETAFIM IS PROHIBITED

Designed By t21734 08 Nov 2017

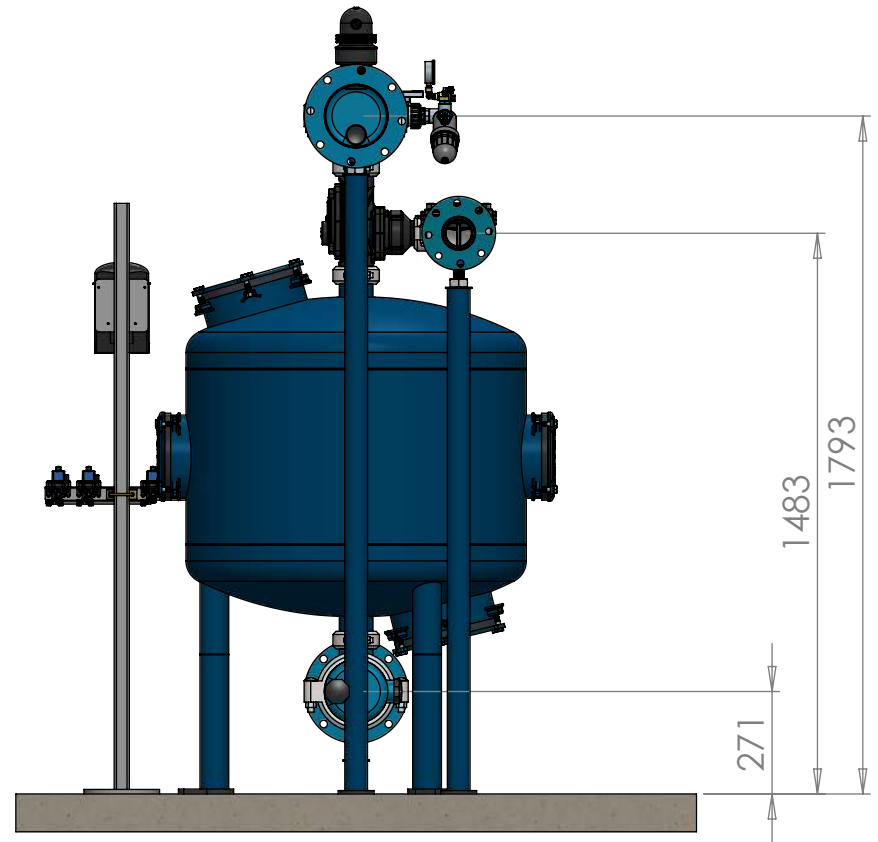
Drawn By Barga 08 Feb 2018

Checked By

QA

Sheet: 2 Of: 3 Rev. -

ITEM NO.	SAP Description	SAP Cat. No.	Def ault /QT Y.
1	METAL SNG.CHA. 36"*3" VIC PHENOL PN8	71910-001603	3
2	METAL MAN 6"*2 OUT*3" VIC F/30-36" TANK	71910-001710	2
3	METAL MAN 6"*1 OUT*3" VIC F/30-36" TANK	71910-001701	2
4	METAL BF MAN 3"*2 OUT*2" VIC F/30-36" T	71910-001709	1
5	METAL BF MAN 3"*1 OUT*2" VIC F/30-36" T	71910-001700	1
6	METAL TRANSITION 6" ANSI FLANGE*VIC	71910-002009	2
7	METAL TRANSITION 3" ANSI FLANGE*VIC	71910-002003	1
8	MET CUP 6"VIC W/2 OUT 2"NPT+1 OUT 1"NPT	71910-001802	2
9	METAL CUP 3" VIC	71910-001791	1
10	METAL NIPPLE 3"*200MM VIC/VIC+(3/4" NPT)	71910-008981	1
11	NET METAL B.F VALVE 3X2 STRAIGHT VIC	71600-006670	3
12	D 100 CI G 3" FRV VIC PP 3W-29310(082)	71600-052300	1
13	VICTAULIC COUPLING 2" ONE BOLT	71910-002500	3
14	VICTAULIC COUPLING 3" ONE BOLT	71910-002501	14
15	VICTAULIC COUPLING 6" ONE BOLT	71910-002503	6
16	Control stand + controller + Aquative bracket		1
17	CONTROL KIT FOR MEDIA FILTER - NPT	37090-009610	1
18	L.P. Check point (part of control kit)		1
19	BARAK PLASTIC BASE 2 GD-010(NPT)	70561-001500	1
20	SUPPORT LEG 6"-1700MM	71910-001965	1
21	SUPPORT LEG 6"-150MM	71910-001908	3
22	SUPPORT LEG 3"-1400MM	71910-001892	1



SAP DESCRIPTION:  
MTL SNG 360306 S A08 BFC DC SOL DC NGR

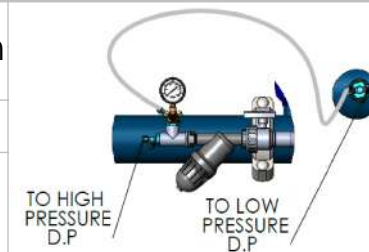
SKU No. 71910-003910

Maximum Flow Rate: 150 m<sup>3</sup>/h

Inlet Pressure: 8 Bar

Sheet Size:  
A4

Scale:  
1:20



**PROPRIETARY AND CONFIDENTIAL**  
THE INFORMATION CONTAINED IN THIS DRAWING IS THE SOLE PROPERTY OF NETAFIM. ANY REPRODUCTION IN PART OR AS A WHOLE WITHOUT THE WRITTEN PERMISSION OF NETAFIM IS PROHIBITED

Designed By	t21734	08 Nov 2017
Drawn By	Barga	08 Feb 2018
Checked By		
QA		
Sheet: 3	Of: 3	Rev. -