

ScreenGuard™

MANUAL IN LINE METAL SCREEN FILTERS

Manual In Line screen filters offer high corrosion and UV protection with large filtration area which results in better filtration efficiency, excellent irrigation uniformity and less maintenance.



High Corrosion
and UV Resistance



Wide
Filtration Area



User
Friendly

/ Benefits & Features

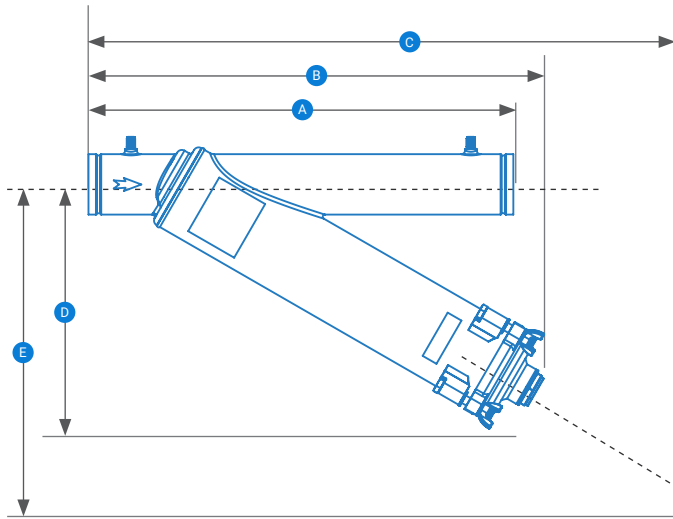
- Wide filtration area Results in lower labor cost due to longer cleaning intervals even in harsh water conditions
- A semi-automatic feature Can be assembled into the filter
- Better longevity Filter screen cylinder molded with stainless-steel 316L screen
- High corrosion and UV resistance The filter housing is coated with dual layers for better uv and corrosion protection
- A wide range of models With multiple filtration area options covering a wide range of flow rates, ensures a perfect fit for different water quality and protection requirements
- Versatile Different micron rating screens suit a variety of applications
- Made to last Highly reliable and durable operation over time with maximum operating pressure of 10bar / 145psi

/ Applications

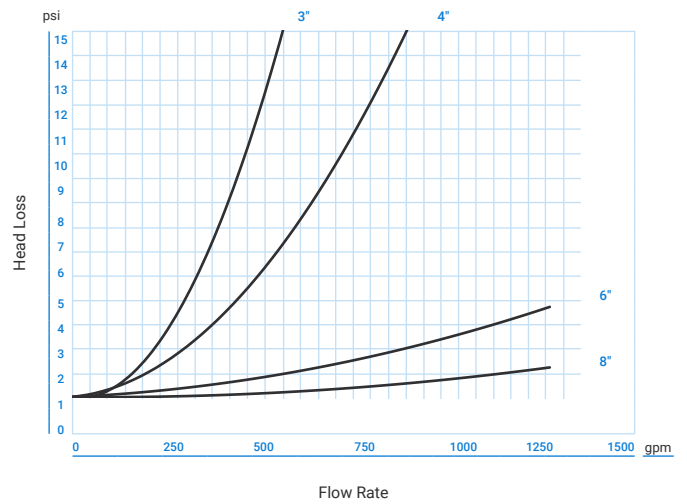
- Primary filtration for use with well water and/or single use dripperline applications
- Primary filtration for sprinkler applications
- Primary filtration for landscaping applications
- Secondary filtration for media filter systems and sand separators
- In-field secondary filters for enhanced protection

→ Technical Dimensions

Size	A (in)	B (in)	C (in)	D (in)	E (in)
3"	23.6	24.7	40.8	13.8	22.0
4"	31.5	33.7	58.4	18.1	31.3
6"	35.4	34.3	57.9	21.7	35.0
8"	39.4	47.0	83.1	28.1	48.9



→ Head Loss



→ Technical Information

Model	Filtration Area (in ²)	Connection	Flow Rate* (gpm)	Drain Valve (In)	Pressure Rating (In)
3"	264	Grooved	230	2"	145
4"	395	Grooved	353	2"	145
6"	620	Grooved	943	2"	145
8"	984	Grooved	1560	2"	145

* Maximum recommended flow rate based on 2psi loss using excellent water quality.

→ Logistic Data

Catalog number starting with 71980 + (any of the below 6 digits)

Size	Connection	150 Mesh	120 Mesh	80 Mesh	50 Mesh	Box					Pallet				
						Qty.	L (in)	W (in)	H (in)	WT (lbs)	Qty.	L (in)	W (in)	H (in)	Wt (lbs)
3"	Grooved	000424	000430	000436	000442	1	30.7	23.6	8.7	44.0	20	61.4	47.2	43.3	880.0
4"	Grooved	000452	000456	000460	000464	1	40.2	28.7	8.7	59.4	10	59.1	40.2	43.3	594.0
6"	Grooved	000570	000574	000578	000582	1	42.9	31.1	14.8	154.0	3	42.9	31.1	14.8	462.0
8"	Grooved	000600	000605	000610	000615	1	54.7	39.0	14.8	184.8	3	54.7	39.0	14.8	554.4

ScreenGuard™

MANUAL ON LINE METAL SCREEN FILTERS

Manual On Line screen filters offer high corrosion and UV protection with large filtration area which results in better filtration efficiency, excellent irrigation uniformity and less maintenance.



High Corrosion and UV Resistance



Wide Filtration Area



User Friendly

/ Benefits & Features

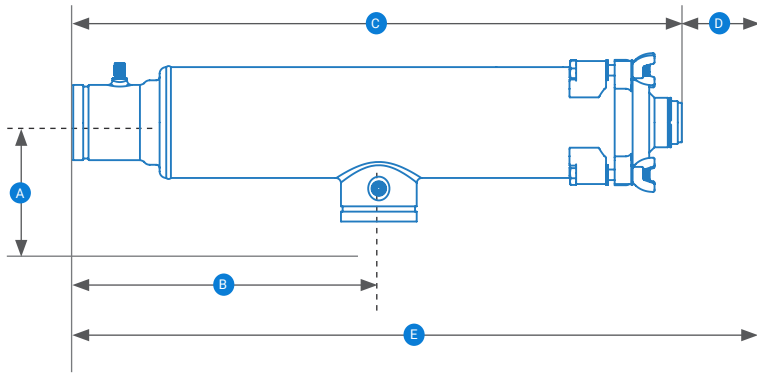
- | | |
|------------------------------------|--|
| → Wide filtration area | Results in lower labor cost due to longer cleaning intervals even in harsh water conditions |
| → A semi-automatic feature | Can be assembled into the filter |
| → Better longevity | Filter screen cylinder molded with stainless-steel 316L screen |
| → High corrosion and UV resistance | The filter housing is coated with dual layers for better uv and corrosion protection |
| → A wide range of models | With multiple filtration area options covering a wide range of flow rates, ensures a perfect fit for different water quality and protection requirements |
| → Versatile | Different micron rating screens suit a variety of applications |
| → Made to last | Highly reliable and durable operation over time with maximum operating pressure of 10bar / 145psi |

/ Applications

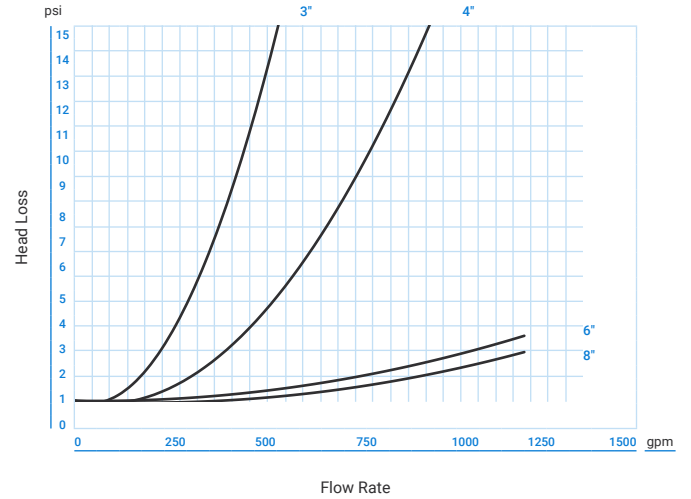
- Primary filtration for use with well water and/or single use dripperline applications
- Primary filtration for sprinkler applications
- Primary filtration for landscaping applications
- Secondary filtration for media filter systems and sand separators
- In-field secondary filters for enhanced protection

→ Technical Dimensions

Size	A (in)	B (in)	C (in)	D (in)	E (in)
3"	5.9	13.4	26.5	18.8	45.3
4"	5.9	18.1	36.1	28.7	64.8
6"	9.8	17.7	36.9	27.6	64.6
8"	9.8	24.8	51.3	40.3	91.5



→ Head Loss



→ Technical Information

Model	Filtration Area (in ²)	Connection	Flow Rate (gpm)	Drain Valve (in)	Pressure Rating (psi)
3"	264	Grooved	230	2"	145
4"	395	Grooved	353	2"	145
6"	620	Grooved	943	2"	145
8"	984	Grooved	1560	2"	145

* Maximum recommended flow rate based on 2psi loss using excellent water quality.

→ Logistic Data

Catalog number starting with 71980 + (any of the below 6 digits)

Size	Connection	150 Mesh	120 Mesh	80 Mesh	50 Mesh	Box					Pallet				
						Qty.	L (in)	W (in)	H (in)	WT (lbs)	Qty.	L (in)	W (in)	H (in)	Wt (lbs)
3"	Grooved	-	000522	000528	000534	1	34.3	10.6	8.7	39.6	20	44.9	42.5	43.3	990.0
4"	Grooved	-	000544	000548	000552	1	43.9	11.4	8.7	50.6	10	44.9	42.5	43.3	1012.0
6"	Grooved	-	000630	000634	000638	1	46.1	18.5	14.8	140.8	3	46.1	18.5	14.8	422.4
8"	Grooved	-	000660	000665	000670	1	59.8	18.5	14.8	169.4	3	59.8	18.5	14.8	508.2

ScreenGuard™

SEMI-AUTO IN LINE METAL SCREEN FILTERS

Semi-Automatic In Line screen filters offer high corrosion and UV protection with large filtration area and cleaning mechanism which allows super-easy cleaning of the screen.



High Corrosion and UV Resistance



Wide Filtration Area



User Friendly

/ Benefits & Features

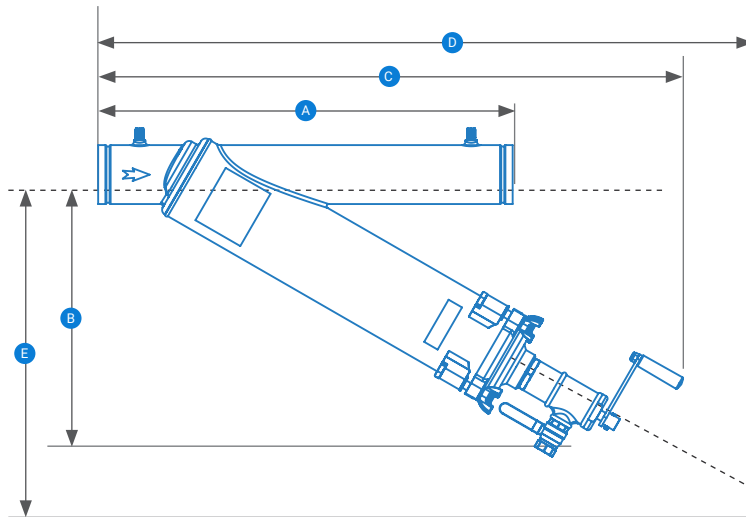
- Wide filtration area Results in lower labor cost due to less back flush events even in harsh water conditions
- A semi-automatic feature Thanks to its cleaning mechanism, the screen can be perfectly cleaned with a single turn of the handle without disassembling the filters and without disrupting the irrigation process
- Better longevity The filter screen cylinder is molded with stainless-steel 316L screen for better longevity
- High corrosion and UV resistance The filter housing is coated with dual layers for better UV and corrosion protection
- A wide range of models With multiple filtration area options covering a wide range of flow rates, ensures a perfect fit for different water quality and protection requirements
- Versatile Different micron rating screens suit a variety of applications
- Made to last Highly reliable and durable operation over time with maximum operating pressure of 10bar / 145psi

/ Applications

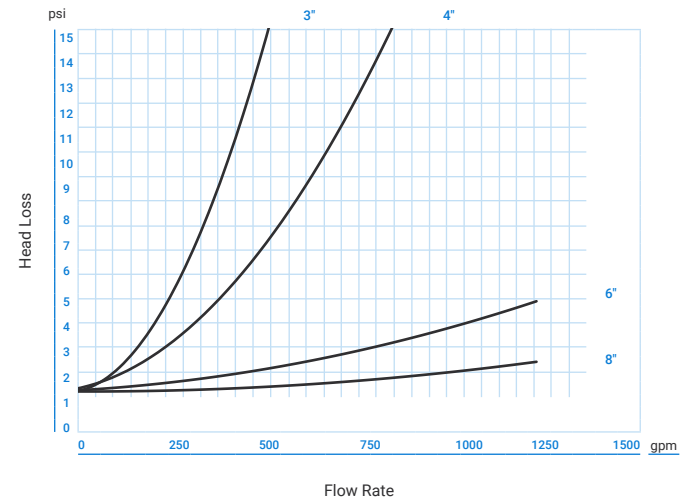
- Primary filtration for use with well water and/or single use dripperline applications
- Primary filtration for sprinkler applications
- Primary filtration for landscaping applications
- Secondary filtration for media filter systems and sand separators
- In-field secondary filters for enhanced protection

→ Technical Dimensions

Size	A (in)	B (in)	C (in)	D (in)	E (in)
3"	23.6	17.1	35.1	52.1	27.0
4"	31.5	21.5	44.3	69.9	36.2
6"	35.4	24.1	41.0	56.9	37.1
8"	39.4	30.6	58.1	93.6	50.9



→ Head Loss



Model	Filtration Area (in ²)	Connection	Flow Rate* (gpm)	Drain Valve (In)	Pressure Rating (In)
3"	264	Grooved	230	2"	145
4"	395	Grooved	353	2"	145
6"	620	Grooved	943	2"	145
8"	984	Grooved	1560	2"	145

* Maximum recommended flow rate based on 2psi loss using excellent water quality.

→ Logistic Data

Catalog number starting with 71980 + (any of the below 6 digits)

Size	Connection	150 Mesh	120 Mesh	80 Mesh	50 Mesh	Box				Pallet					
						Qty.	L (in)	W (in)	H (in)	WT (lbs)	Qty.	L (in)	W (in)	H (in)	Wt (lbs)
3"	Grooved	000862	000868	000874	-	1	30.7	23.6	8.7	44.0	20	61.4	47.2	43.3	880.0
4"	Grooved	000890	000894	000902	-	1	40.2	28.7	8.7	59.4	10	59.1	40.2	43.3	594.0
6"	Grooved	000910	000914	000918	-	1	42.9	31.1	14.8	154.0	3	42.9	31.1	14.8	462.0
8"	Grooved	000930	000935	000940	-	1	54.7	39.0	14.8	184.8	3	54.7	39.0	14.8	554.4

ScreenGuard™

SEMI-AUTO ON LINE METAL SCREEN FILTERS

Semi-Automatic On Line screen filters offer high corrosion and UV protection with large filtration area and cleaning mechanism which allows super-easy cleaning of the screen.



High Corrosion
and UV Resistance



Wide
Filtration Area



User
Friendly

/ Benefits & Features

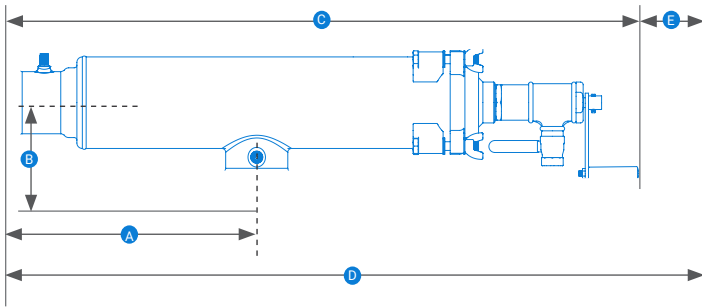
- Wide filtration area Results in lower labor cost due to less back flush events even in harsh water conditions
- A semi-automatic feature Thanks to its cleaning mechanism, the screen can be perfectly cleaned with a single turn of the handle without disassembling the filters and without disrupting the irrigation process
- Better longevity The filter screen cylinder is molded with stainless-steel 316L screen for better longevity
- High corrosion and UV resistance The filter housing is coated with dual layers for better UV and corrosion protection
- A wide range of models With multiple filtration area options covering a wide range of flow rates, ensures a perfect fit for different water quality and protection requirements
- Versatile Different micron rating screens suit a variety of applications
- Made to last Highly reliable and durable operation over time with maximum operating pressure of 10bar / 145psi

/ Applications

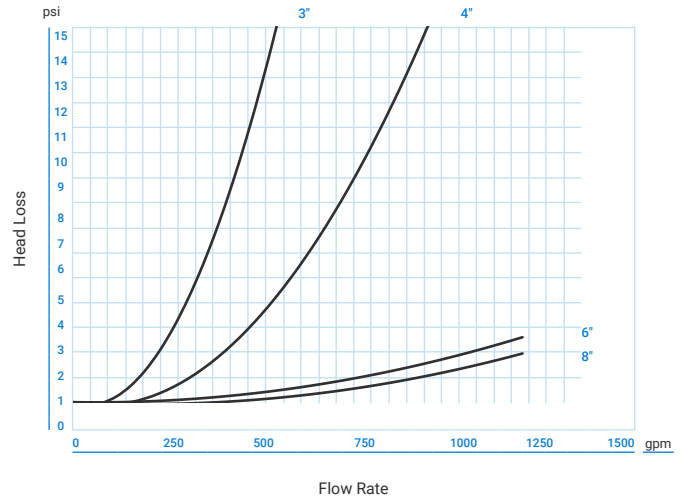
- Primary filtration for use with well water and/or single use dripperline applications
- Primary filtration for sprinkler applications
- Primary filtration for landscaping applications
- Secondary filtration for media filter systems and sand separators
- In-field secondary filters for enhanced protection

→ Technical Dimensions

Size	A (in)	B (in)	C (in)	D (in)	E (in)
3"	13.4	5.9	36.2	55.5	19.3
4"	18.1	5.9	45.7	75.2	29.5
6"	17.7	9.8	48.3	75.4	27.2
8"	24.8	9.8	66.5	108.3	41.7



→ Head Loss



→ Technical Information

Model	Filtration Area (in ²)	Connection	Flow Rate (gpm)	Drain Valve (in)	Pressure Rating (psi)
3"	264	Grooved	230	2"	145
4"	395	Grooved	353	2"	145
6"	620	Grooved	943	2"	145
8"	984	Grooved	1560	2"	145

* Maximum recommended flow rate based on 2psi loss using excellent water quality.

→ Logistic Data

Catalog number starting with 71980 + (any of the below 6 digits)

Size	Connection	150 Mesh	120 Mesh	80 Mesh	50 Mesh	Box					Pallet				
						Qty.	L (in)	W (in)	H (in)	WT (lbs)	Qty.	L (in)	W (in)	H (in)	Wt (lbs)
3"	Grooved	000972	000978	000984	-	1	34.3	10.6	8.7	39.6	20	44.9	42.5	43.3	990.0
4"	Grooved	001000	001004	001008	-	1	43.9	11.4	8.7	50.6	10	44.9	42.5	43.3	1012.0
6"	Grooved	001020	001024	001028	-	1	46.1	18.5	14.8	140.8	3	46.1	18.5	14.8	422.4
8"	Grooved	001040	001045	001050	-	1	59.8	18.5	14.8	169.4	3	59.8	18.5	14.8	508.2

ScreenGuard™

CIRCULATING METAL SCREEN FILTERS

Circulating screen filters offer improved particles separation, supported by large filtration area, in addition to the high corrosion and UV protection which result to better filtration efficiency, excellent irrigation uniformity and less maintenance.



High Corrosion
and UV Resistance



Wide
Filtration Area



User
Friendly

/ Benefits & Features

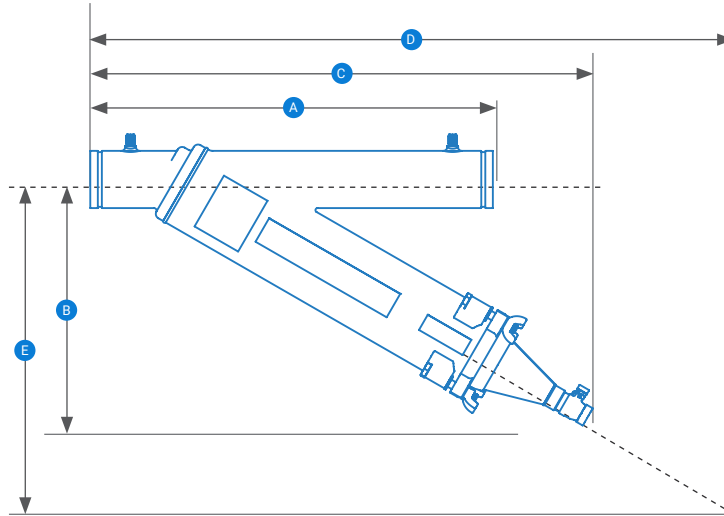
- Wide filtration area Results in lower labor cost due to longer cleaning intervals even in harsh water conditions
- Circulating feature Thanks to this cleaning mechanism, the screen can be perfectly cleaned opening the drain valve, circulating particles such as sand which can be easily drained out of the filter. without disrupting the irrigation process
- Better longevity Filter screen cylinder molded with stainless-steel 316L screen
- High corrosion and UV resistance The filter housing is coated with dual layers for better uv and corrosion protection
- A wide range of models With multiple filtration area options covering a wide range of flow rates, ensures a perfect fit for different water quality and protection requirements
- Versatile Different micron rating screens suit a variety of applications
- Made to last Highly reliable and durable operation over time with maximum operating pressure of 10bar / 145psi

/ Applications

- Primary filtration for use with well water and/or single use dripperline applications
- Primary filtration for sprinkler applications
- Primary filtration for landscaping applications
- Secondary filtration for media filter systems and sand separators
- In-field secondary filters for enhanced protection
- Content of sand and other sediments

→ Technical Dimensions

Size	A (in)	B (in)	C (in)	D (in)	E (in)
3"	23.6	14.9	29.8	46.1	24.2
4"	31.5	19.3	39.0	63.7	33.5
6"	35.4	21.7	40.6	64.2	34.1
8"	39.4	28.0	52.9	88.7	47.7



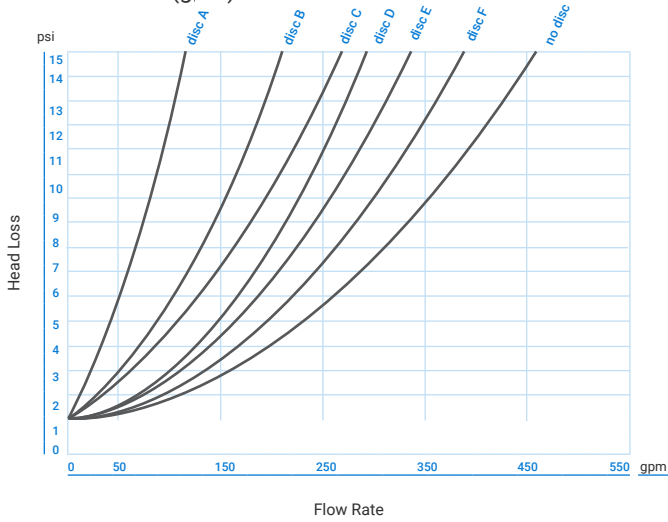
→ Technical Information

Disc Type	Size							
	3"		4"		6"		8"	
	Min (gpm)	Max (gpm)	Min (gpm)	Max (gpm)	Min (gpm)	MAX (GPM)	MIN (GPM)	MAX (GPM)
A	46	80	46	80	130	238	-	-
B	78	142	90	144	170	286	-	-
C	92	162	102	168	262	412	-	-
D	140	218	150	224	386	628	416	664
E	155	248	182	276	652	998	710	1084
F	184	290	214	328	-	-	870	1326
ND	218	342	273	424	-	-	1026	1596

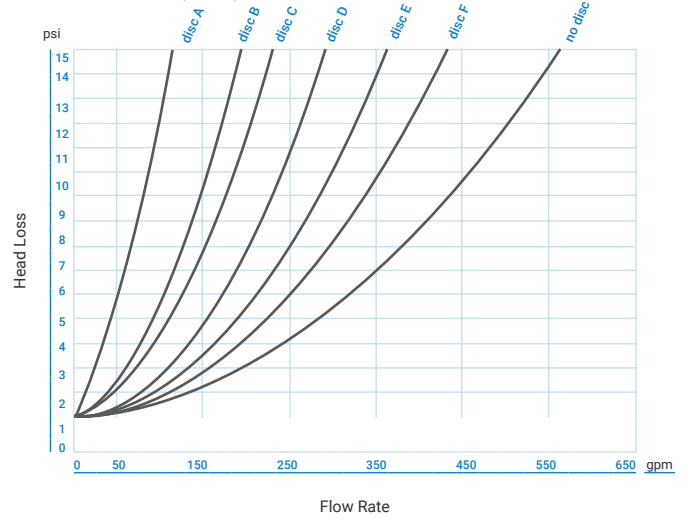
ND = No discs

→ **Head Loss**

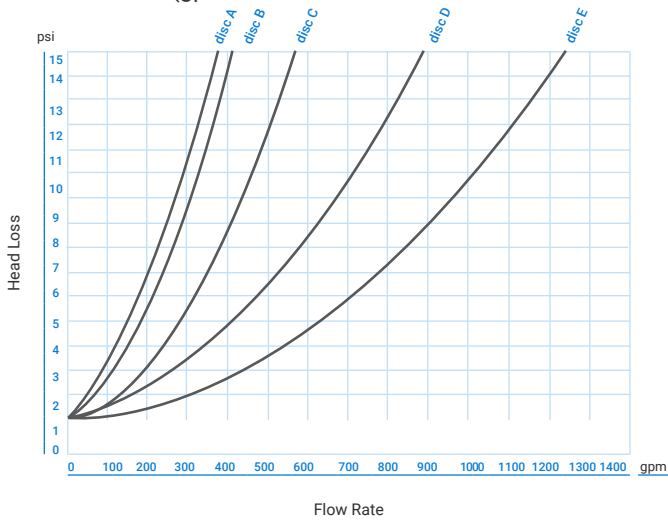
Circular filter 3" (gpm)



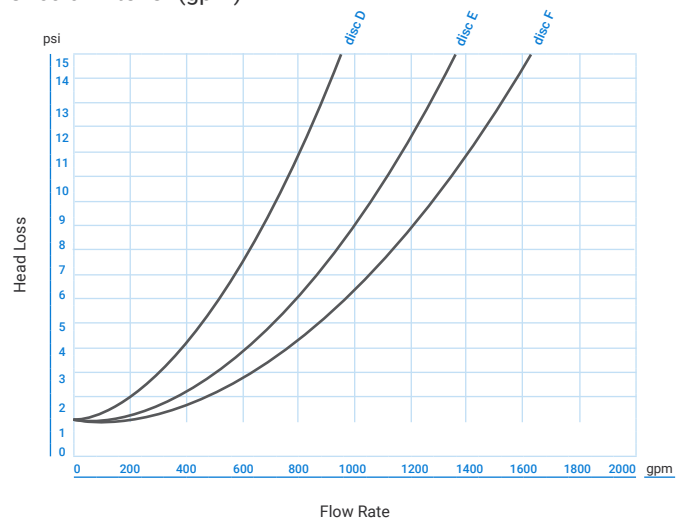
Circular filter 4" (gpm)



Circular filter 6" (gpm)



Circular filter 8" (gpm)



→ **Logistic Data**

Catalog number starting with 71980 + (any of the below 6 digits)

Size	Connection	150 Mesh	120 Mesh	80 Mesh	50 Mesh	Box				Pallet					
						Qty.	L (in)	W (in)	H (in)	WT (lbs)	Qty.	L (in)	W (in)	H (in)	Wt (lbs)
3"	Grooved	000712	000718	000723	-	1	30.7	23.6	8.7	46.2	20	61.4	47.2	43.3	924.0
4"	Grooved	000730	000734	000738	-	1	40.2	28.7	8.7	61.6	10	59.1	40.2	43.3	616.0
6"	Grooved	000760	000764	000768	-	1	42.9	31.1	14.8	160.6	3	42.9	31.1	14.8	481.8
8"	Grooved	000790	000795	000800	-	1	54.7	39.0	14.8	209.0	3	54.7	39.0	14.8	627.0



netafimusa.com