

1" MANUAL DISC FILTER

INSTALLATION, OPERATION & MAINTENANCE INSTRUCTIONS

FEATURES

- A "T" shaped reinforced plastic filter with two 1" male connections.
- Filter element consists of grooved discs, mounted on a spine, forming a cylindrical filter element. The discs are compressed together by a spring located at the bottom of the filter cover.
- Screw-on filter cover.
- Resistant to chemicals and liquid fertilizers.
- Available filtration grades: 040, 080, 120, 140 and 200.



TECHNICAL DATA	
FLOW RANGE	5 - 26 GPM
MAXIMUM PRESSURE	140 psi
FILTERING SURFACE AREA	49 sq. in.
FILTERING VOLUME	27 cu. in.
LENGTH	9 11/32"
WIDTH	6 7/32"
WEIGHT	2.2 lbs.
DISTANCE BETWEEN ENDS	6 7/32"
INLET/OUTLET DIAMETER	1" Male
MAXIMUM TEMPERATURE	158° F
pH	5 - 11

MESH/MICRON		
MESH	MICRON	DISC COLOR
040	400	Blue
080	200	Yellow
120	130	Red
140	115	Black
200	55	Green

INSTALLATION

1. Filter can be installed either vertically or horizontally.
2. Use Teflon tape on filter threads - Do Not Use Pipe Dope.
3. Ensure correct inlet/outlet direction.
4. When connecting filter to pipe, do not overtighten.
5. Never use spanners for tightening the filter cover.

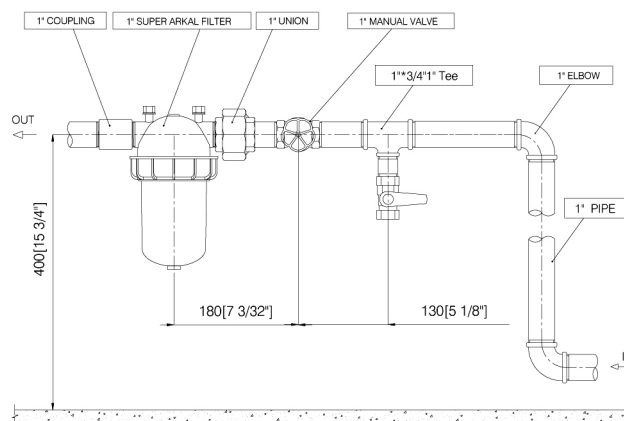
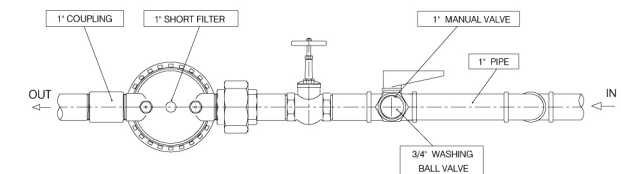
MAINTENANCE AND CLEANING

DISMANTLING

1. Ensure system is turned off and no pressure remains in the pipeline.
2. Unscrew cover from the filter body.
3. Pull out entire filter element.

CLEANING

1. Move tightening ring to end of spine and flush discs with pressurized water.
2. If discs are not clean after flushing with water:
 - a. If the discs have an accumulation of algae in the grooves, soak the discs and spine in a small bucket of Clorox bleach for one hour and then reflush with fresh water.
 - b. If the discs have an accumulation of iron in the grooves, soak the discs and spine in a small bucket of 10% Muriatic Acid for one hour and then reflush with fresh water. Muriatic Acid can be purchased at any pool supply store.



MAINTENANCE AND CLEANING

ASSEMBLY

1. Verify that spring is in place inside the filter cover.
2. Insert filter element and make sure it is seated correctly.
3. Replace cover.
4. Tighten filter cover securely by turning the fixing nut clockwise and do not overtighten.

WINTERIZATION

Drain all the water from the filter to avoid cracking due to freezing.

PARTS BREAKDOWN - 1" FILTER

KEY	MODEL NUMBER	DESCRIPTION	MATERIALS
1	SEE # 11	GAUGE PORT NUT	R.PP
2	SEE # 11	GAUGE PORT SEAL	EPDM
3	-	FILTER ADAPTER RING	R.PP
4	25AP531140	COVER O RING	R.PP
5	25AP531130	FILTER SPRING	NR
6	25AP23113	FILTER COVER	SS
7	-	1/4" TAP (OPTIONAL)	BRASS
8	25AP231131	FIXING NUT	R.PA
9	25AP47-***	RING SET WITH SPINE	PP
10	25AP131199	FILTER WRENCH	R.PA
11	25AP25000101	FILTER BODY COMPLETE	-

Substitute *** for proper mesh size.

MATERIALS KEY

CODE	MATERIAL
PBT	POLYESTER
SS	STAINLESS STEEL
PP	POLYPROPYLENE
NR	NITRILE RUBBER
R.PP	REINFORCED POLYPROPYLENE
R.PA	REINFORCED POLYAMIDE
EPDM	ETH. PROPY. RUBBER

