

SAP DESCRIPTION:
 MTL SNG 300406 S A08 BFC DC SOL DC NGR

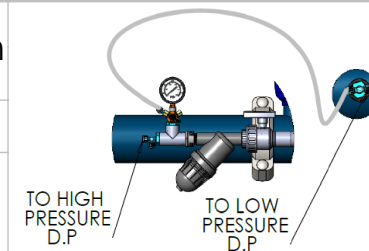
SKU No.

Maximum Flow Rate: 140 m³/h

Inlet Pressure: 8 Bar

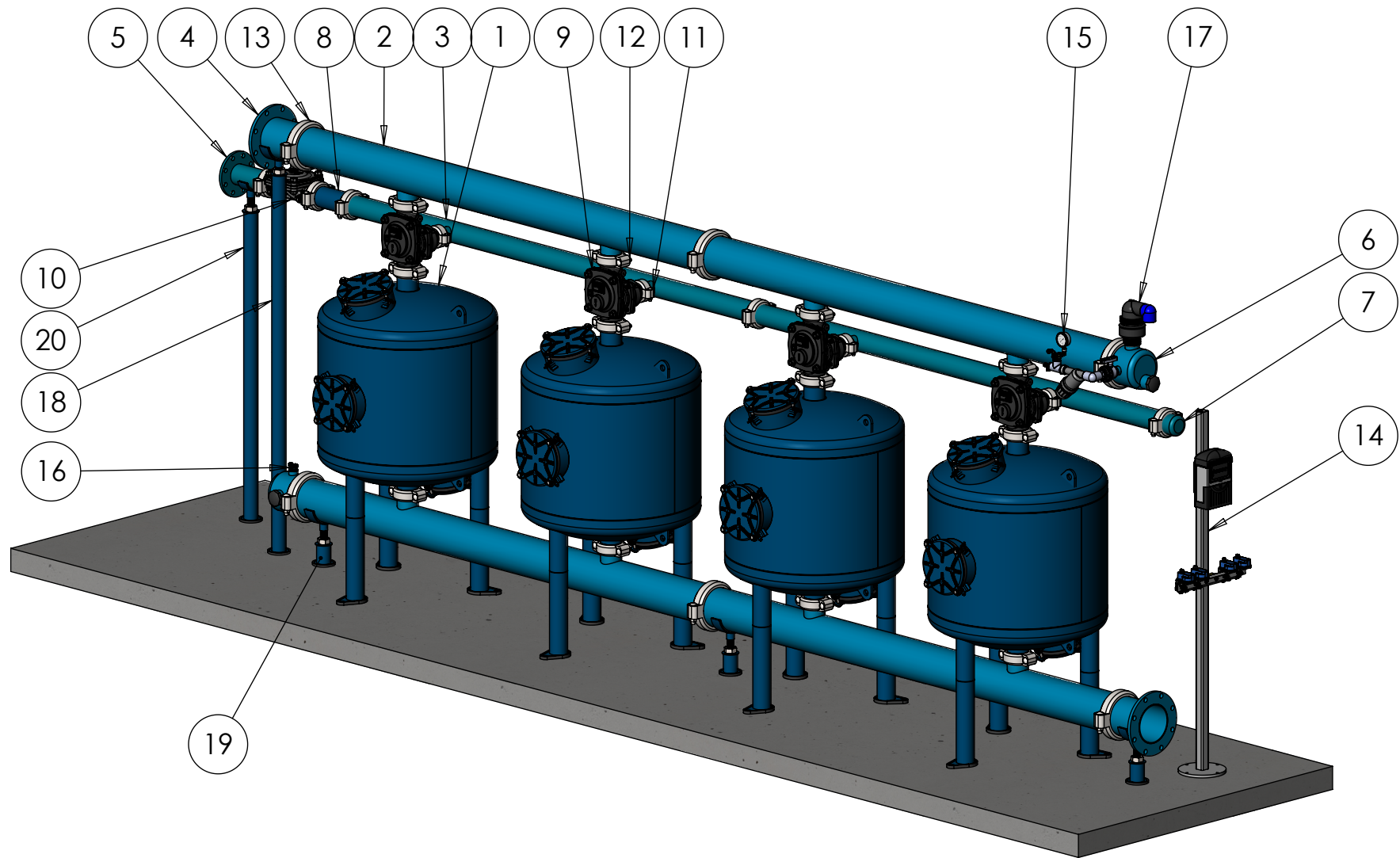
Sheet Size:
 A4

Scale:
 1:25



PROPRIETARY AND CONFIDENTIAL
 THE INFORMATION CONTAINED IN THIS DRAWING IS THE SOLE PROPERTY OF NETAFIM. ANY REPRODUCTION IN PART OR AS A WHOLE WITHOUT THE WRITTEN PERMISSION OF NETAFIM IS PROHIBITED

Designed By	t21734	28 May 2017
Drawn By	Barga	08 Feb 2018
Checked By		
QA		
Sheet: 1	Of: 3	Rev. -



SAP DESCRIPTION:

MTL SNG 300406 S A08 BFC DC SOL DC NGR

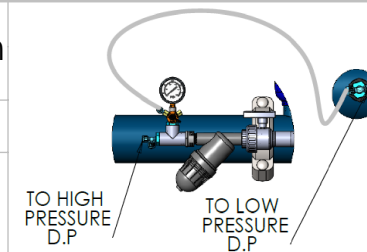
SKU No.

Maximum Flow Rate: 140 m³/h

Inlet Pressure: 8 Bar

Sheet Size:
A4

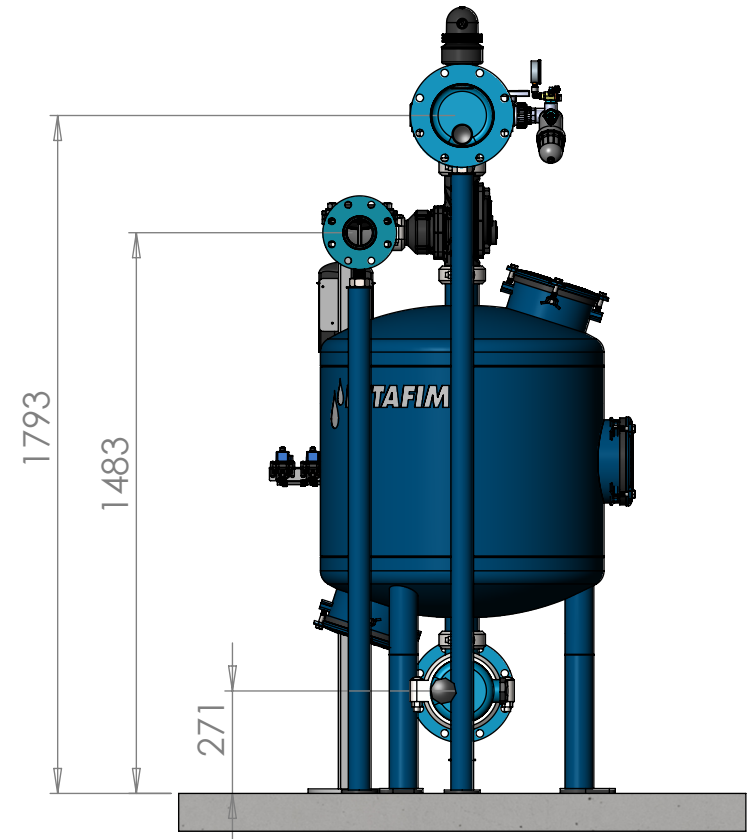
Scale:
1:25



PROPRIETARY AND CONFIDENTIAL
THE INFORMATION CONTAINED IN THIS DRAWING IS THE SOLE PROPERTY OF NETAFIM. ANY REPRODUCTION IN PART OR AS A WHOLE WITHOUT THE WRITTEN PERMISSION OF NETAFIM IS PROHIBITED

Designed By	t21734	28 May 2017
Drawn By	Barga	08 Feb 2018
Checked By		
QA		
Sheet: 2	Of: 3	Rev. -

ITEM NO.	SAP Description	SAP Cat. No.	QTY.
1	METAL SNG.CHA. 30"*3" VIC PHENOL PN10	71910-001602	4
2	METAL MAN 6"*2 OUT*3" VIC F/30-36" TANK	71910-001710	4
3	METAL BF MAN 3"*2 OUT*2" VIC F/30-36" T	71910-001709	2
4	METAL TRANSITION 6" ANSI FLANGE*VIC	71910-002009	2
5	METAL TRANSITION 3" ANSI FLANGE*VIC	71910-002003	1
6	MET CUP 6"VIC W/2 OUT 2"NPT+1 OUT 1"NPT	71910-001802	2
7	METAL CUP 3" VIC	71910-001791	1
8	METAL NIPPLE 3"*200MM VIC/VIC+(3/4" NPT)	71910-008981	1
9	NET METAL B.F VALVE 3X2 STRAIGHT VIC	71600-006670	4
10	D 100 CI G 3" FRV VIC PP 3W-29310(082)	71600-052300	1
11	VICTAULIC COUPLING 2" ONE BOLT	71910-002500	4
12	VICTAULIC COUPLING 3" ONE BOLT	71910-002501	17
13	VICTAULIC COUPLING 6" ONE BOLT	71910-002503	6
14	Control stand + controller + Aquative bracket		1
15	CONTROL KIT FOR MEDIA FILTER - NPT	37090-009610	1
16	L.P. Check point (part of control kit)		1
17	BARAK PLASTIC BASE 2 GD-010(NPT)	70561-001500	1
18	SUPPORT LEG 6"-1700MM	71910-001965	1
19	SUPPORT LEG 6"-150MM	71910-001908	3
20	SUPPORT LEG 3"-1400MM	71910-001892	1



SAP DESCRIPTION:
MTL SNG 300406 S A08 BFC DC SOL DC NGR

SKU No.

Maximum Flow Rate: 140 m³/h

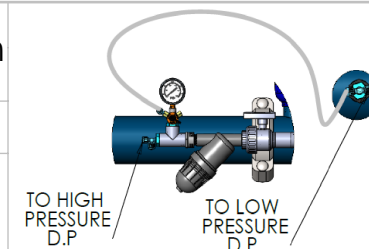
Inlet Pressure: 8 Bar

Sheet Size:

A4

Scale:

1:20



NETAFIM™

PROPRIETARY AND CONFIDENTIAL
THE INFORMATION CONTAINED IN THIS DRAWING IS THE SOLE PROPERTY OF NETAFIM. ANY REPRODUCTION IN PART OR AS A WHOLE WITHOUT THE WRITTEN PERMISSION OF NETAFIM IS PROHIBITED

Designed By: t21734 28 May 2017

Drawn By: Barga 08 Feb 2018

Checked By:

QA

Sheet: 3 Of: 3 Rev. -