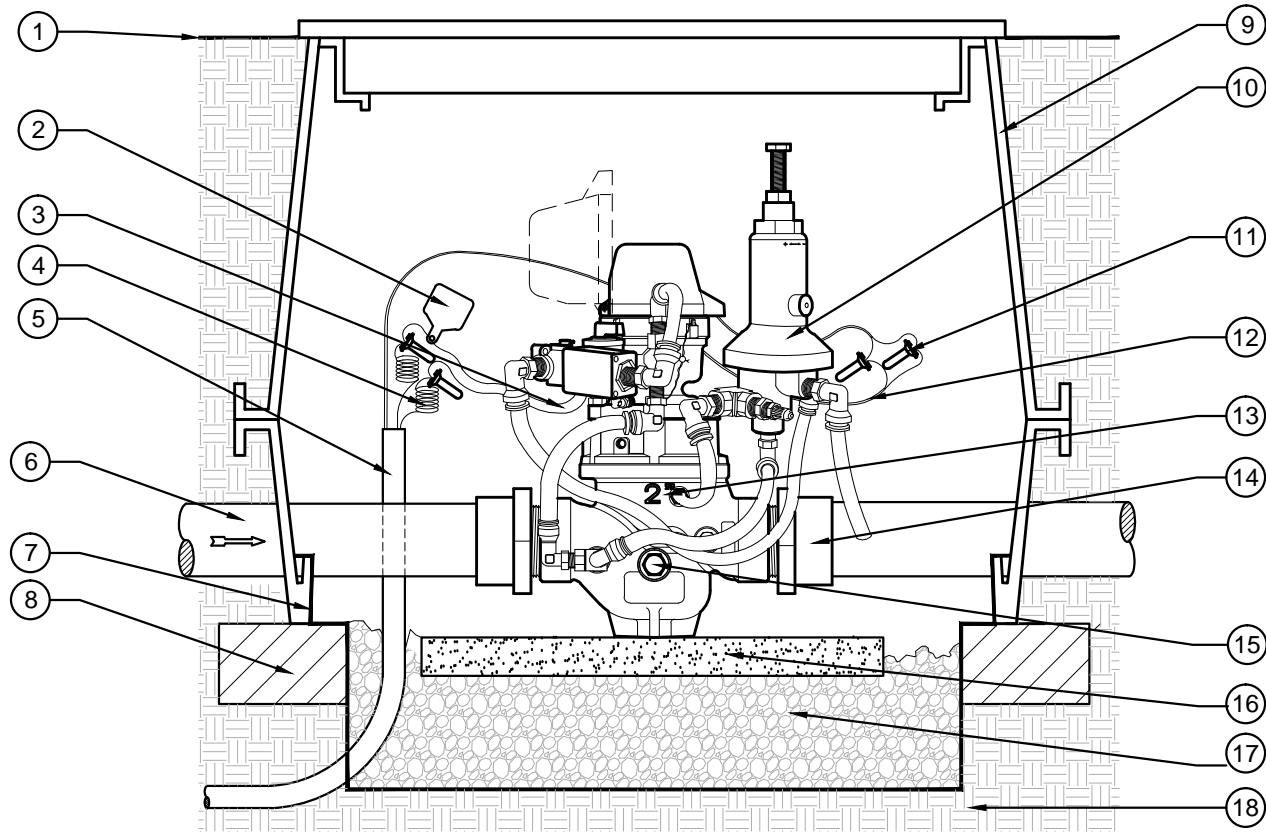


LIMITATIONS:

ALLOWING FOR A WIDE VARIETY OF APPLICATIONS AND CONDITIONS, NETAFIM IRRIGATION INC. IS NOT RESPONSIBLE FOR CORRECTNESS OR APPLICABILITY TO PURPOSE OR COMPATIBILITY TO ANY SITE OR JOB CONDITION. WARRANTY FOR SUITABILITY IS NOT GIVEN OR IMPLIED. MODIFICATIONS FOR SPECIFIC PURPOSES MAY BE NECESSARY AND ARE THE SPECIFIERS RESPONSIBILITY. THE USE OF THESE DETAILS SHALL NOT BE RESTRICTED AND PUBLICATION THEREOF IS NOT LIMITED TO ANY PURPOSE. REPRODUCTION, PUBLICATION AND REUSE BY ANY METHOD IN WHOLE OR PART IS FULLY AUTHORIZED. OWNERSHIP IS RETAINED BY NETAFIM IRRIGATION INC. VISUAL CONTACT WITH THESE DETAILS SHALL CONSTITUTE PRIMA FACIE EVIDENCE OF THE ACCEPTANCE OF THESE RESTRICTIONS.



LEGEND

- | | |
|--|---|
| 1. FINISH GRADE. | 9. JUMBO VALVE BOX WITH EXTENSION(S) PER SPECS. HEAT BRAND "MV-FS" ON LID IN 2" HIGH BLOCK LETTERS. |
| 2. VALVE I.D. TAG WITH "MV" PRINTED ON IT. | 10. PRESSURE REDUCING PILOT |
| 3. MASTER VALVE WIRES FROM SOLENOID (INCLUDED). | 11. WATERPROOF WIRE CONNECTORS (3M DBY/DBR). |
| 4. PAIR OF WIRES, COLOR CODED DIFFERENT THAN OTHER VALVES. REFER TO CONTROLLER SPECS | 12. SHIELDED FLOW SENSOR WIRES TO CONTROLLER (PER CONTROLLER SPECS). |
| 5. 1 1/2" SCH 40 CONDUIT FROM CONTROLLER PER SPECS. PULL BOXES EVERY 200' AND ON EACH SIDE OF HARDSCAPES AREA. | 13. NETAFIM HYDROMETER, REFER TO LEGEND FOR MODEL NUMBER. |
| 6. PVC MAINLINE PIPING PER IRRIGATION LEGEND. (PLAN SIZE) | 14. SCH.80 PVC MIPT ADAPTOR SIZE PER VALVE AND MAINLINE PIPING (2 REQUIRED) |
| 7. FILTER FABRIC PER SPECS. | 15. DRAINAGE NUT FOR WINTERIZATION (INCLUDED). |
| 8. BRICK SUPPORT. (4 TOTAL/ 1 @ EA CORNER) | 16. CONCRETE PAVER SUPPORT BLOCK. |
| | 17. COMPACTED 3/4" WASHED GRAVEL. 12" THICK MIN. |
| | 18. COMPACTED NATIVE SOIL. |

NOTES TO DESIGNER:

1. NO STRAIGHT PIPE UPSTREAM AND DOWNSTREAM OF HYDROMETER IS REQUIRED.
2. THE INSTALLATION OF AN ISOLATION VALVE UPSTREAM OF THE HYDROMETER IS RECOMMENDED.
3. ALL THREADED CONNECTIONS SHALL RECEIVE TEFLON TAPE PER TAPE MANUFACTURERS RECOMMENDATIONS.

00

HYDROMETER 2" FNPT PRESSURE REDUCING MANUAL ELECTRIC



NOT TO SCALE

DETAIL - PH20A