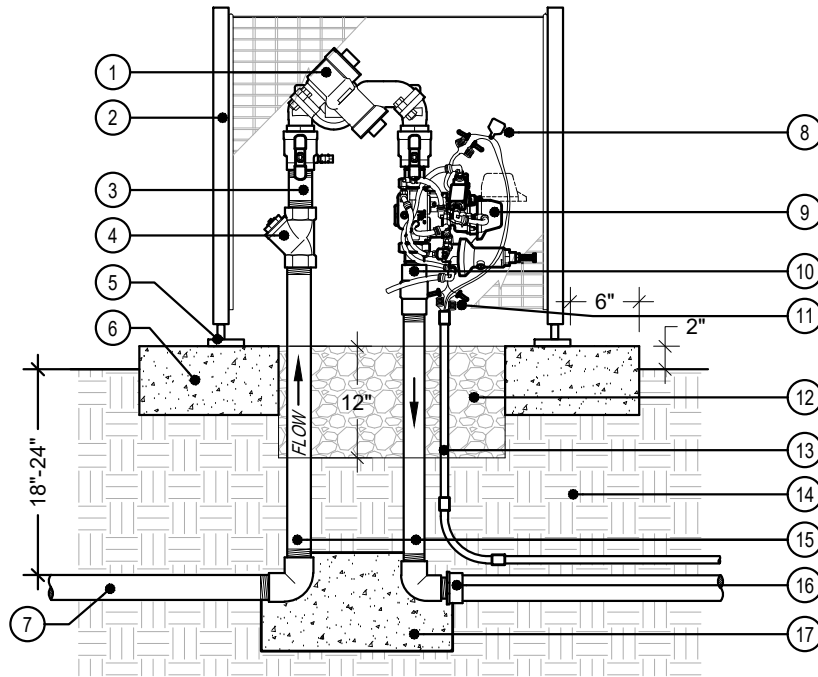


LIMITATIONS:

ALLOWING FOR A WIDE VARIETY OF APPLICATIONS AND CONDITIONS, NETAFIM IRRIGATION INC. IS NOT RESPONSIBLE FOR CORRECTNESS OR COMPATIBILITY TO ANY SITE OR JOB CONDITION. WARRANTY FOR SUITABILITY IS NOT GIVEN OR IMPLIED. MODIFICATIONS FOR SPECIFIC PURPOSES MAY BE NECESSARY AND BE THE SPECIFIER'S RESPONSIBILITY. THE USE OF THESE DETAILS SHALL NOT BE RESTRICTED AND PUBLICATION THEREOF IS NOT LIMITED TO ANY PURPOSE. REPRODUCTION PUBLICATION AND REUSE BY ANY METHOD IN WHOLE OR PART IS FULLY AUTHORIZED. OWNERSHIP IS RETAINED BY NETAFIM IRRIGATION INC. VISUAL CONTACT WITH THESE DETAILS SHALL CONSTITUTE PRIMA FACIE EVIDENCE OF THE ACCEPTANCE OF THESE RESTRICTIONS.

**NOTE:**

- A. ALL BRASS PIPE BELOW FINISH GRADE SHALL RECEIVE 2 WRAPS OF 20 MIL. TAPE.
- B. ALL EXPOSED PIPING SHALL RECEIVE WRAPPING TO PROTECT FROM WEATHER SEE SPECS.
- C. INSTALL PER ALL LOCAL CODES. FINAL LOCATION TO BE APPROVED IN THE FIELD BY THE LANDSCAPE ARCHITECT AND/OR OWNER.



**LEGEND**

- |   |  |
|---|--|
| <ul style="list-style-type: none"> <li>1. REDUCED PRESSURE BACKFLOW PREVENTER PER IRRIGATION LEGEND</li> <li>2. BACKFLOW PREVENTER ENCLOSURE (SIZE AS NEEDED)</li> <li>3. BRASS NIPPLE; LENGTH AS REQUIRED (R/P SIZE)</li> <li>4. Y-STRAINER (R/P SIZE)</li> <li>5. MOUNT ENCLOSURE TO CONCRETE PAD PER MANUFACTURERS RECOMMENDATIONS</li> <li>6. 6" THICK CONCRETE PAD</li> <li>7. MAINLINE FROM METER</li> <li>8. VALVE ID TAG - MARKED "MV"</li> </ul> | <ul style="list-style-type: none"> <li>9. NETAFIM HYDROMETER W/ PRESSURE REDUCER (MODEL # PER LEGEND).</li> <li>10. BRASS COUPLING (LINE SIZE)</li> <li>11. #14 GAUGE WIRE - COIL EXTRA. USE 3M DBY WATER TIGHT CONNECTORS FOR ALL WIRE CONNECTIONS.</li> <li>12. 12" DEEP 3/4" WASHED GRAVEL SUMP.</li> <li>13. 1" PVC CONDUIT WITH SWEEPS. INSTALL COUPLING ON TOP FOR WIRE PROTECTION.</li> <li>14. COMPACTED SUBGRADE</li> <li>15. BRASS NIPPLE- LENGTH AS REQUIRED- (R/P SIZE)</li> <li>16. BRASS TXT 90 TO SCH. 80 PVC MALE ADAPTER</li> <li>17. 1 CU FT. CONCRETE THRUST BLOCK</li> </ul> |
|---|--|

**NOTES TO DESIGNER:**

- 1. NO STRAIGHT PIPE UPSTREAM AND DOWNSTREAM OF HYDROMETER IS REQUIRED.
- 2. RECOMMEND INSTALLING AIR/ VACUUM RELIEF VALVE PRIOR TO METER, EVERY 1500 FEET AND AT END OF RUNS. INSTALL AS INDICATED PER NETAFIM DETAIL D274.
- 3. THE INSTALLATION OF AN ISOLATION VALVE UPSTREAM OF THE HYDROMETER IS RECOMMENDED.
- 4. ALL THREADED CONNECTIONS SHALL RECEIVE TEFLON TAPE PER TAPE MANUFACTURERS RECOMMENDATIONS.



**HYDROMETER 1-1/2" MPT PRESSURE REDUCING MANUAL ELECTRIC AFTER BACKFLOW**

NOT TO SCALE



DETAIL - PH15A-1