



# SERIES 80A-QR

QUICK RELIEF VALVES  
1 1/2" & 2"



## DESCRIPTION

The **80A-QR** is a pilot-operated, universal surge-relief valve, that is designed for the pressure-surge protection of pumps, filtration-systems and pipelines in mining (corrosive fluid) and agricultural-irrigation applications.

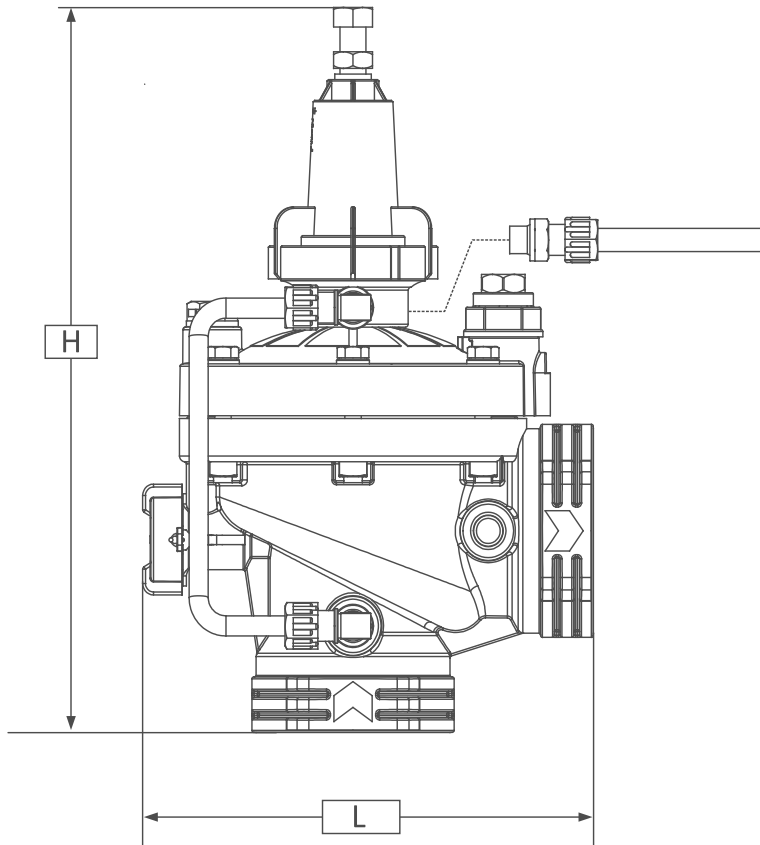
The valve continuously senses the pressure in the system and keeps a drip-tight closed position as long as the pressure is low. The valve instantly opens in case the upstream pressure has reached a set, critical value, allowing surplus flow out of the system. The closing-speed is regulated so to allow smooth and quiet attenuation of the pressure-surges.

## FEATURES & BENEFITS

- Pilot-operated valve
- Fast opening and slow, regulated closure - prevents shattering and secondary surges
- Extremely accurate: will open and close at the same pressure setting
- Constructed from rugged, corrosion-proof composite materials
- Small, light-weight and easy to adjust with just a small key and applying small torque
- Provides relief setting-range from 1 to 10 bar / 15-150 psi

MODEL		MINIMUM PRESSURE	MAXIMUM PRESSURE	KV	CV	DIMENSIONS			WEIGHT
MM	INCH	BAR	BAR	M <sup>3</sup> /H @ 1BAR	GPM @ 1PSI	L	H	W	KG
40	1 1/2"	1	10	46	54	100	250	163	1.10
50	2"	1	10	58	68	100	250	163	1.10

Maximum Fluid Temperature: 60°C/ 140°F



**HEADLOSS**

