



FertiOne™

OVERVIEW

The FertiOne™ offers a Nutrigation™ solution for injection of a single fertilizer in open field sites fitted with electricity. Suitable for every irrigation system such as drip, center pivot and sprinklers.

It is a plug-and-play, fully configurable, simple-to-operate single-channel fertilizer/acid dosing unit.

It ensures the highest efficiency with minimum investment, a highly cost-effective solution for Nutrigation™.

Built on a sturdy, corrosion-resistant aluminum frame, the FertiOne™ can accommodate different types of dosing channels and a variety of single- or three-phase dosing boosters to suit the various needs of different sites.

It is available as a basic manual system or equipped with several controller options - for simple straightforward operation or for more advanced quantitative or proportional control, to meet a vast range of Nutrigation™ needs.

HIGHLIGHTS

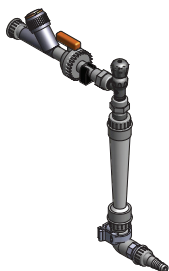
- Modular Nutrigation™ system
- Built around a standard platform
- Requires minimal investment
- Efficient water, fertilizer and energy consumption
- Wide range of irrigation water capacities
- Quantitative or proportional Nutrigation™ capabilities
- Almost completely maintenance-free Venturi operations - no moving parts
- Highly accurate dosing channel
- Manual or fully automated operations
- Easy integration into existing irrigation systems
- High-quality components and PVC pipe work
- Aluminum, corrosion-resistant frame with adjustable legs

BENEFITS

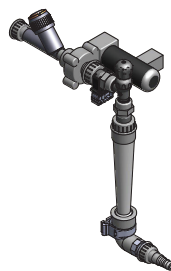
- Easy installation and maintenance
- Broad application coverage, including open fields, orchards, etc.
- Highly profitable price/performance ratio
- NMC and other controllers can be assembled on the FertiOne™ for advanced Nutrigation™ control.
- A wide variety of accessories and peripherals can be integrated into the FertiOne™ to enhance its functions.
- Made by Netafim™

DOSING CHANNELS RANGE

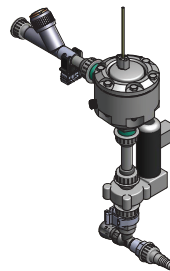
■ Manual dosing channel



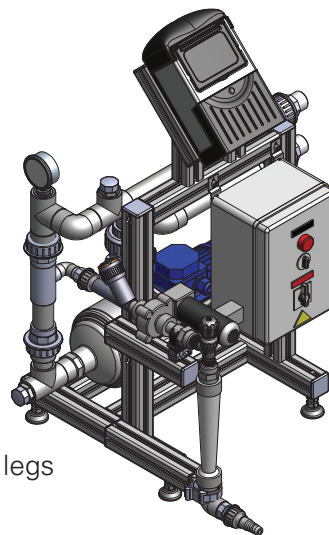
■ Electric dosing channel



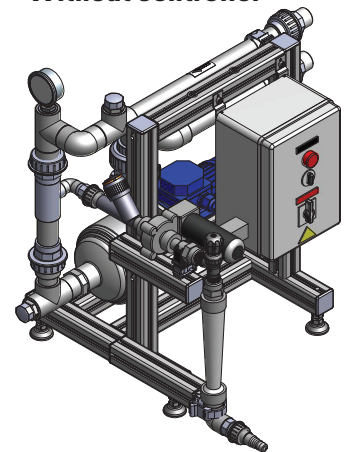
■ Electric dosing channel with fertilizer meter



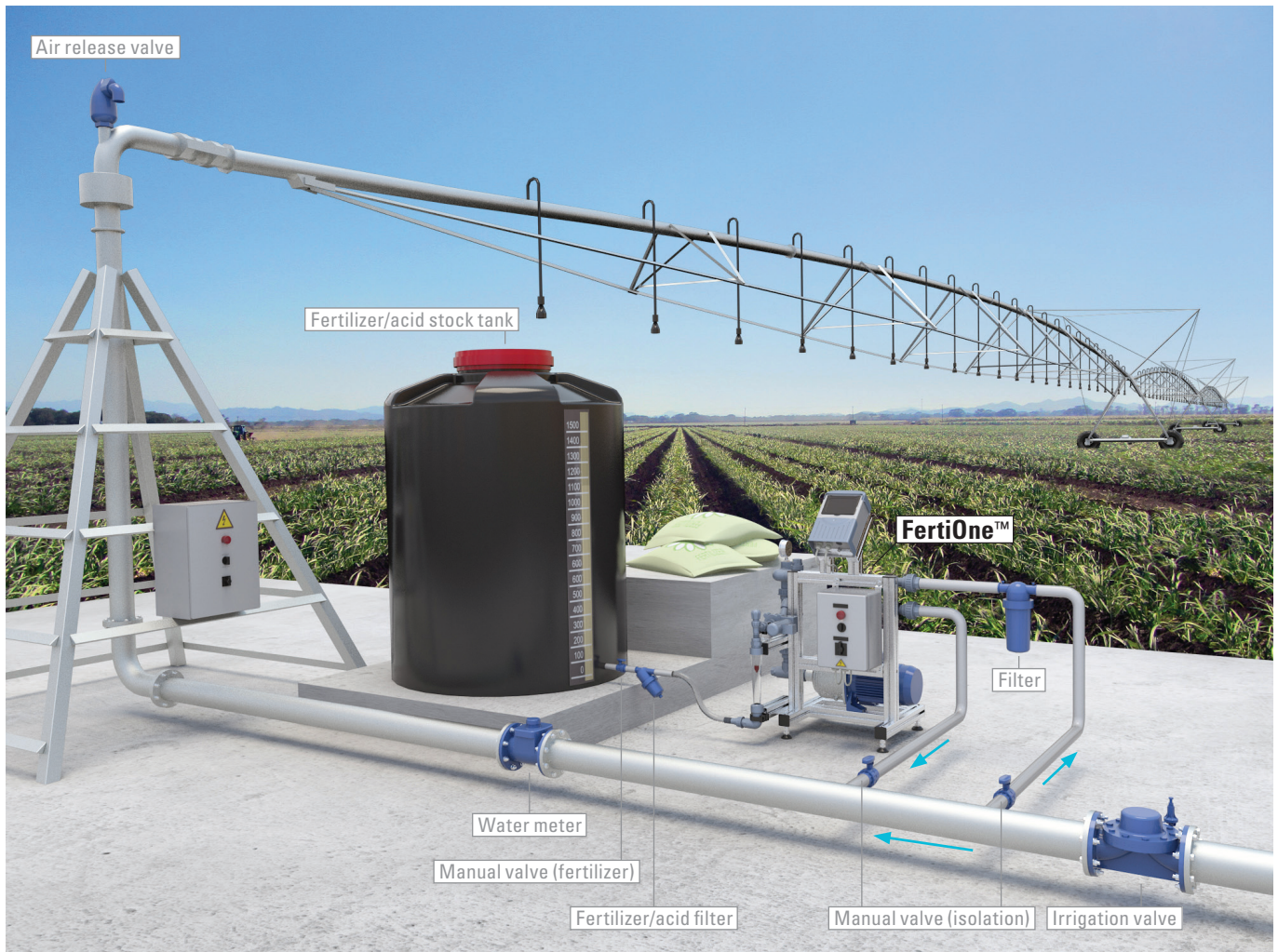
With controller



Without controller



TYPICAL INSTALLATION FOR CENTER PIVOT



COMPONENTS

- Venturi operated dosing channel
- Quick-action dosing valves
- Pressure gauge
- Controller (optional)
- Stainless steel dosing booster
- Dosing booster switchbox
- Check valve
- Wide range of integrated accessories and peripherals
- High-quality components and PVC piping
- Aluminum, corrosion-resistant frame with adjustable legs

CAPABILITIES

The FertiOne™ ensures a satisfactory mixture in a vast range of flow capacities. It will accommodate any center pivot size in the market.

FEATURE	STANDARD	OPTIONAL
Controller	Manual (w/o controller)/NMC-Junior/MiniAg, according to customer need	<ul style="list-style-type: none"> ■ Other controllers on the market. ■ Can receive external signal from the center pivot controller if needed.
Suction Flow Rate	From 100 to 1000 l/h (0.44 to 4.4 GPM)	
Dosing Channel	Manual/Electric	Electric with fertilizer meter
System Pressure	from 2 to 7.5 bar (29 - 109 PSI), according to the selected dosing booster	

To select the suitable FertiOne™ for your project, see the online configurator at: <https://cmtconfig.netafim.com>.

For more information, including user and installation manual, please login at: <https://www.netafim.com/product-category/single---channel-injection--manual>.