



90 SERIES - PVC CONTROL VALVES

Solvent welded and threaded valves of the 90 series, made from highly resistant materials and provide reliable irrigation control

APPLICATIONS

Exclusive valves series (3" – 6") suitable for underground and above-ground installation in open fields and greenhouses

BENEFITS

- **Superior performances**
Excellent regulation capabilities achieved by a flexible diaphragm mechanism that is designed to allow maximal to near zero flow while operating at very low head losses
- **Exceptional efficiency**
Available with full selection of control functions and various end connections. The optional underground installation reduces both costs and friction losses by eliminating the use of elbow joints
- **Improved resistance**
Resistance to corrosive fluids is accomplished by using high quality corrosion-free materials, both externally and internally. Optional materials for highly concentrated chemicals protection

TECHNICAL SPECIFICATIONS

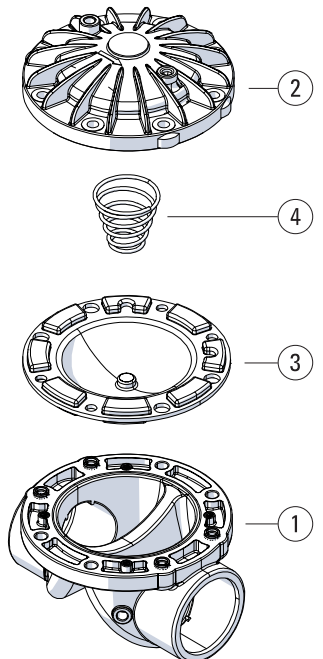
- Maximum pressure – 10 bar (145 psi)
- Minimum recommended flow – 1 m³/h (5 gpm)
- Minimum operating pressure - 0.3 bar (4 psi)
- Maximum operating temperature - 40^oc (104^oF)

PARTS AND MATERIALS

#	Part	Standard	Optional*
1	Body	uPVC	-
2	Bonnet	Glass reinforced polyamide	PPS
3	Diaphragm**	Natural rubber	ALD, EPDM
4	Spring	SST 302	SST 316

*. Optional parts for special chemical resistance

**.. Wide selection of pressure ranges



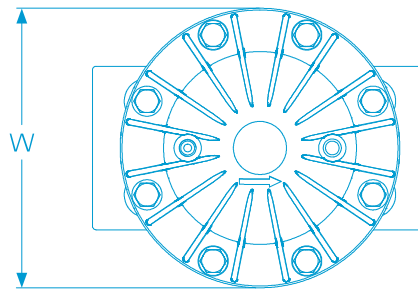
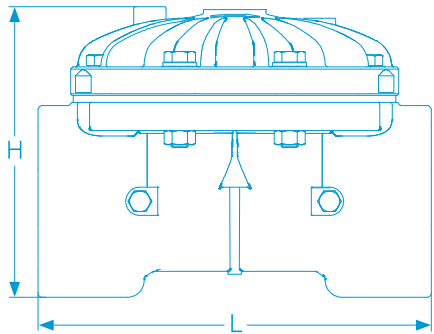
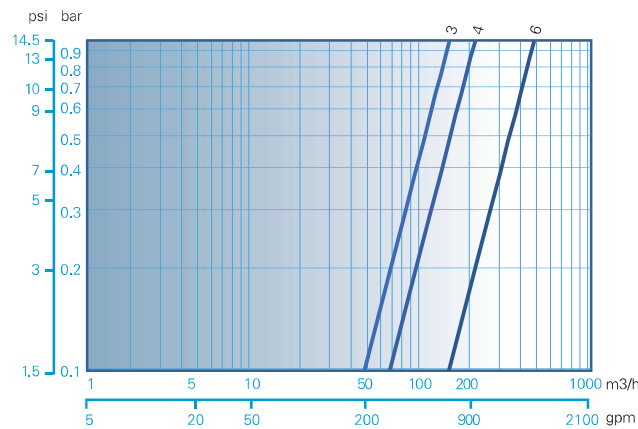


HYDRAULIC PERFORMANCES

Valve Size	inch	3	4	6
	mm	90	110	160
Flow rate factor*	K_v	155	215	480
	C_v	180	250	560

*. In order to calculate the head loss at any desired flow rate, use the following equation: Head loss = (Flow rate/Flow rate factor)²

HEAD LOSS – 3 WAY VALVES



DIMENSIONS

DIAMETER		inch	3	4	6
		mm	90	110	160
HEIGHT	H	mm / inch	208 / 8.06	208 / 8.06	382 / 15
WIDTH	W	mm / inch	229 / 9.16	229 / 9.16	260 / 10.40
LENGTH	L	mm / inch	258 / 10.18	278 / 10.93	360 / 14.18
VOL. CONTROL CHAMBER		cc / gal	681 / 0.18	681 / 0.18	2,575 / 0.68
WEIGHT		kg / lbs	4 / 8.8	4.2 / 9.2	11.8 / 26

*. PVC SW valves are 10mm larger than the pipe to allow solvent welding