



70-550

FLOAT PILOTS (METAL) 3 OR 4-WAY VERTICAL FLOAT ACTUATED PILOT-VALVE DIFFERENTIAL

DESCRIPTION

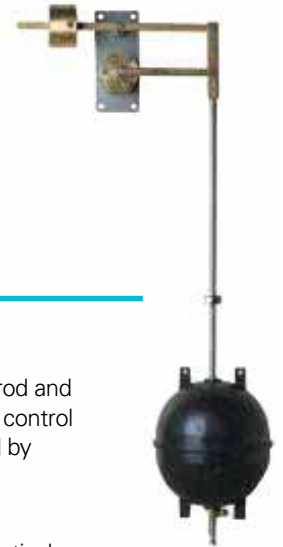
The **70-550** is a 3 way, float pilot-valve that is designed for the level control valves. The float slides along the rod and positions the pilot control when it reaches either, the high or low level stoppers, venting or pressurizing the control chamber of the main valve to open or close. The difference between the high and low level can be adjusted by positioning the stoppers on the float rod.

FEATURES

- No overflow - drip tight close
- On-Off Non-modulating action
- Can be used with any hydraulic control valve of any size
- The maximum/minimum tank level is adjustable
- Can be used with external/supplementary pressure source

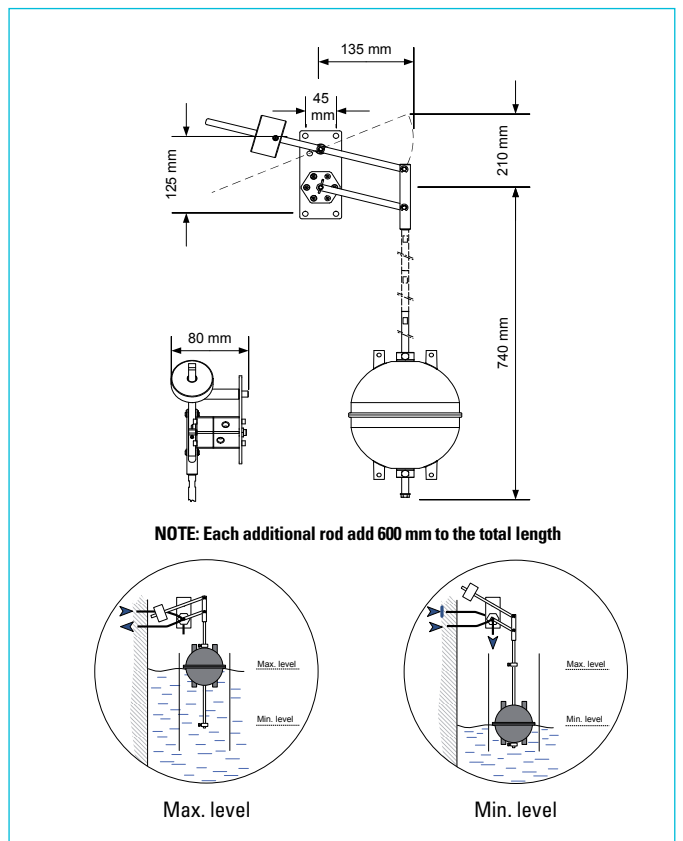
APPLICATIONS

Level control - Differential control by vertical float-pilot valve - **FLDI1**



GENERAL		
PRESSURE RATING	25 bar / 360 psi	
FLUID TEMPERATURE	80°C Max. / 175°F Max.	
MIN. LEVEL DIFFERENTIAL	0.15 meter / 0.49 ft	
MAX. LEVEL DIFFERENTIAL (3 RODS)**	1.8 meter / 5.9 ft	
MATERIALS	STANDARD	OPTIONAL*
PILOT BODY	Brass	SST
INTERNAL PARTS	SST / Brass	SST
FLOAT	PP	SST
FLOAT ROD	SST	-
PORT CONNECTIONS		
P.T	NPT 1/4"	

* Other materials available upon demand
 ** Extra counterweight required if third extension rod is used



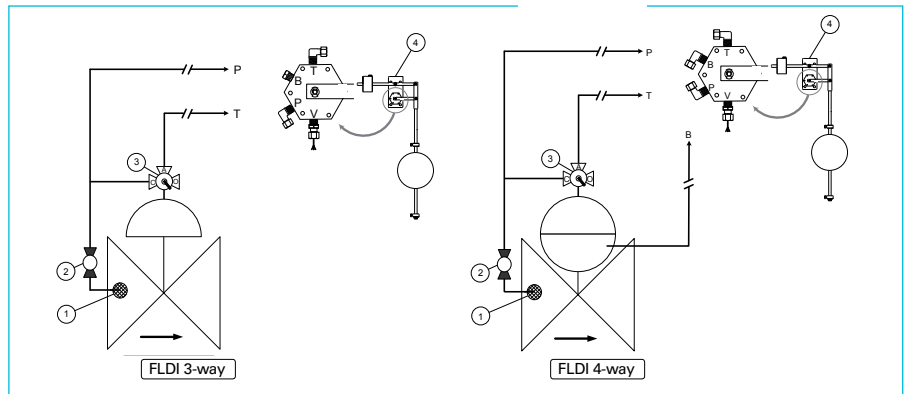


INSTALLATION

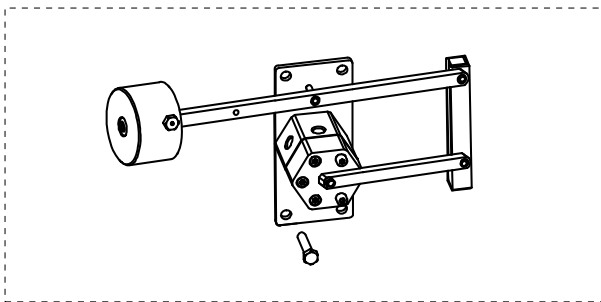
Sample drawing. Consult Netafim for the assembly design to fit your needs.

MAIN COMPONENTS:

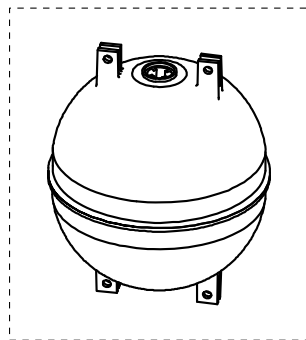
1. Self flushing filter
2. Isolation ball valve
3. 3-way Manual selector valve
4. 70-550 Float pilot valve



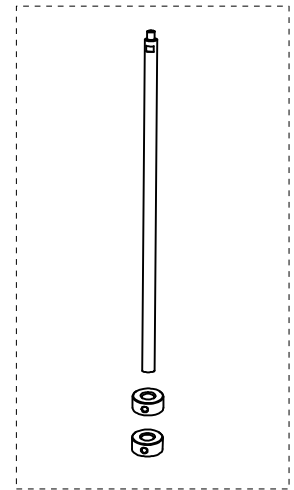
SPARE PARTS



Pilot kit



Float



Kit rod

PORT	LEVEL CONTROL
P	Upstream
T	Valve Control Chamber
V	Vent
B	Plug*

DESCRIPTION	CATALOGUE NUMBER
PILOT KIT	6617055003
KIT ROD	6617055004
FLOAT	4453070000

* In 4way loop connected to the bottom chamber of valve or Relay-Valve