

70-610

FLOAT PILOTS (METAL) DIFFERENTIAL, 3-WAY HORIZONTAL FLOAT ACTUATED PILOT-VALVE



DESCRIPTION

The **70-610** is a 3-Way, float pilot-valve that is designed for the level control valves. The float positions the pilot control to open when it reaches a preset low level, and to close drip tight when it reaches a preset high level. The difference between the low and high level can be adjusted.

FEATURES

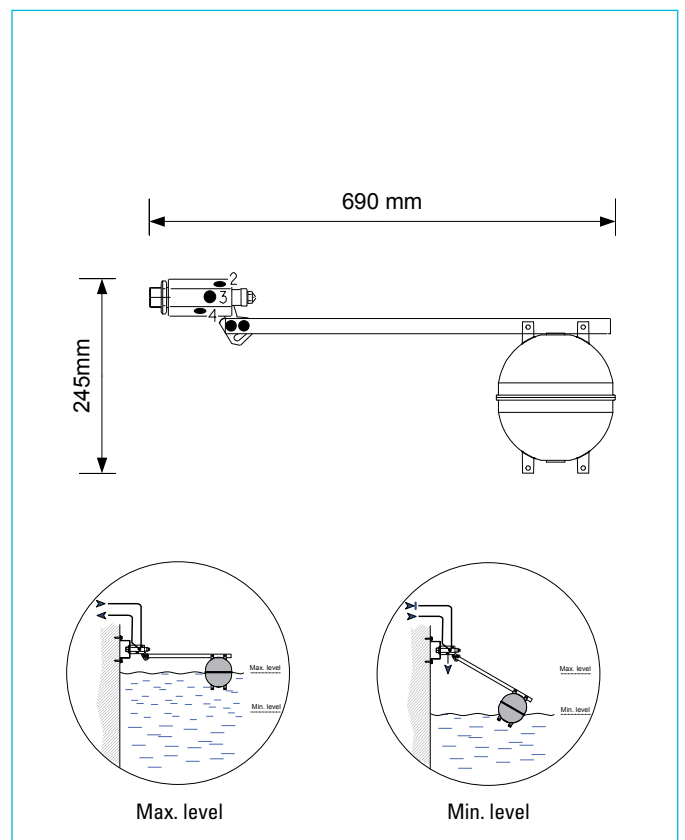
- No overflow - drip tight close
- On-Off Non-modulating action
- Can be used with any hydraulic control valve of any size
- The maximum/minimum tank level is adjustable
- Can be used with external/supplementary pressure source

APPLICATIONS

Level control - Differential control by horizontal float-pilot valve - **FLD12**

GENERAL		
PRESSURE RATING	25 bar / 360 psi	
FLUID TEMPERATURE	80°C max. / 175°F max.	
MIN. LEVEL DIFFERENTIAL	0.15 meter / 0.49 ft	
MAX. LEVEL DIFFERENTIAL	0.6 meter / 1.96 ft	
MATERIALS	STANDARD	OPTIONAL*
PILOT BODY	Brass	SST
INTERNAL PARTS	SST / Brass	SST
FLOAT	PP	SST
FLOAT ROD	SST	-
PORT CONNECTIONS		
2,3,4	NPT 1/4"	

* Other materials available upon demand



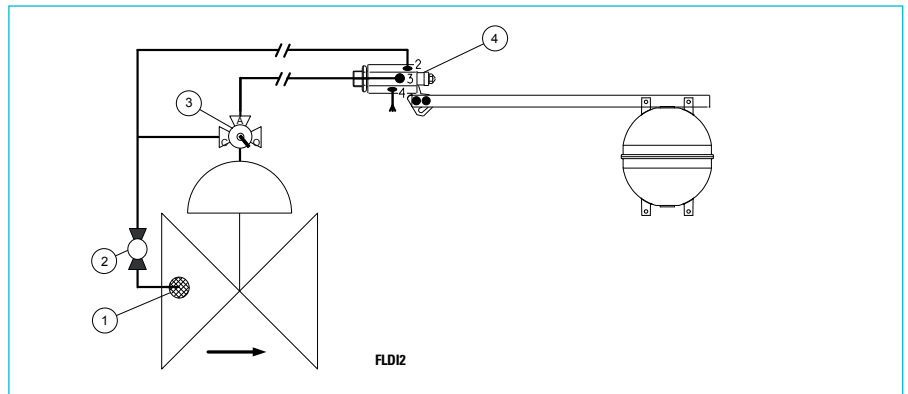


INSTALLATION

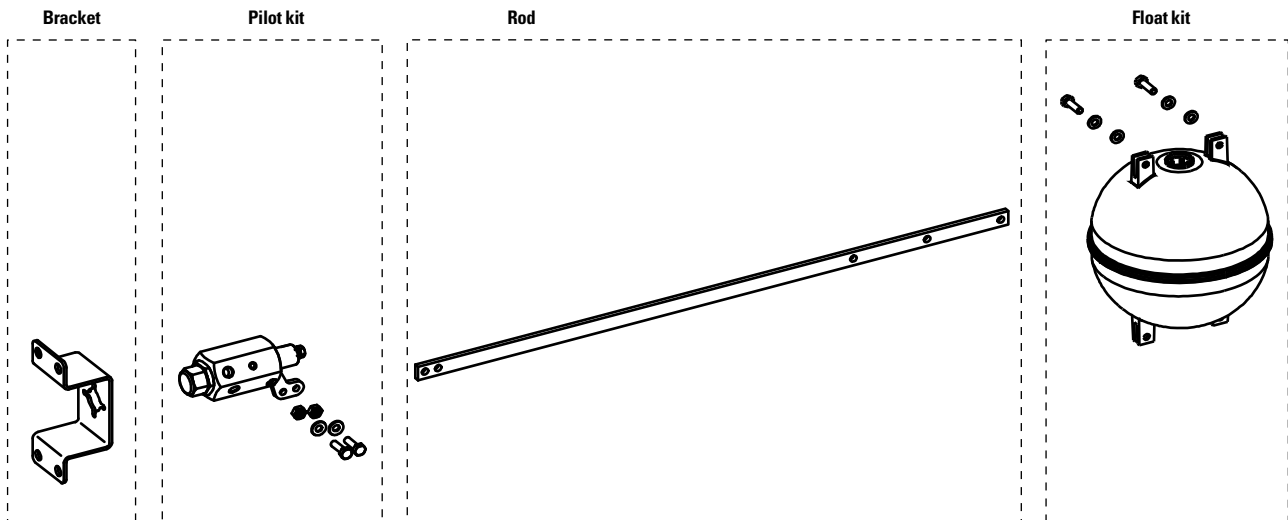
Sample drawing. Consult Netafim for the assembly design to fit your needs.

MAIN COMPONENTS:

1. Self flushing filter
2. Isolation ball valve
3. 3-Way Manual selector valve
4. **70-610** Float pilot valve



SPARE PARTS



PORT		DESCRIPTION	CATALOGUE NUMBER
2	Upstream	BRACKET	0026570610
3	Valve Control Chamber	PILOT KIT	6617061002
4	Vent	ROD	4424170600
		FLOAT KIT	6653070000