



## NETAFIM™ VALVES

### THROTTLE VALVES

---

#### APPLICATIONS

Manual restrictions in irrigation head controls, field plots, Nutrigation™ systems, filtration heads systems.

#### BENEFITS & FEATURES

##### Saves operation costs

- User friendly design allows smooth handle operation

##### Saves labor costs and multiple investments in maintenance


- Highly reliable operation and durable over time
- Chemical/corrosion resistant, UV stabilized

#### SPECIFICATIONS

- Multi turn, vertical motion
- Straight through flow with minimal head loss
- Visual float position indicator to show % throttle of piping system
- Slow operation pavement water hammer
- Maintaining seat leakage permissible limit as per Standard ANSI/FCI-70-2-2006 in class III (0.10%)
- Operational up to 6 bar
- Threaded connections (BSP or NPT standards)



## NETAFIM™ THROTTLE VALVES - CATALOG NUMBERS

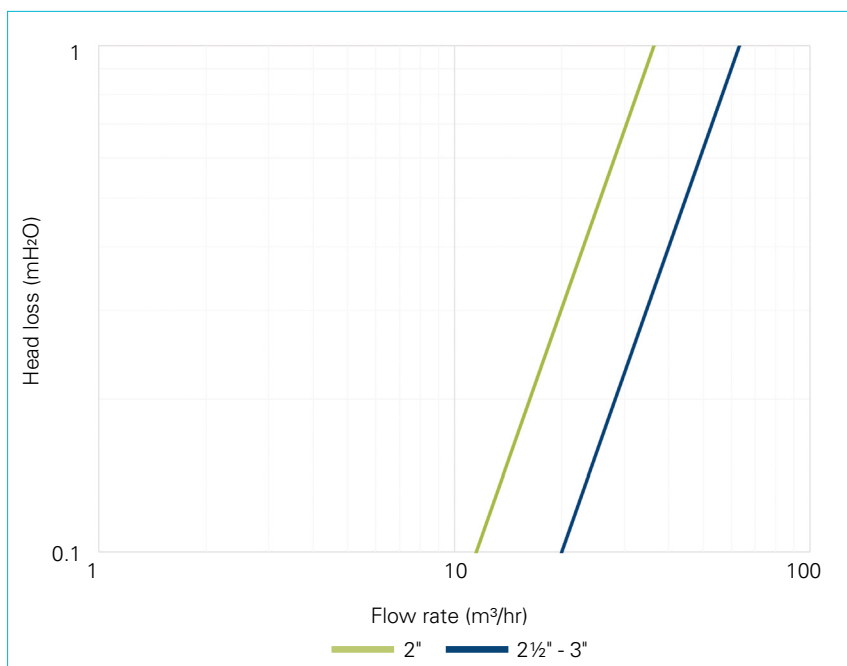
PRODUCT DESCRIPTION	CATALOG NUMBER	ILLUSTRATION
NMV PP THROTTLE VLV 2" FFT BSP	77453-000200	
NMV PP THROTTLE VLV 2½" FFT BSP	77453-000201	
NMV PP THROTTLE VLV 3" FFT BSP	77453-000202	

\*Can be also ordered in NPT standard if required

## THROTTLE VALVES - PACKAGING DATA

MODEL	QUANTITY P/BOX UNIT	BOX SIZES (CM X CM X CM)	BOX WEIGHT (KG)	BOXES P/PALLET
2"	5	69.0 x 19.5 x 30.0	6.85	15
2½"	5	78.5 x 23.0 x 41.5	14.67	8
3"	5	78.5 x 23.0 x 41.5	13.82	8

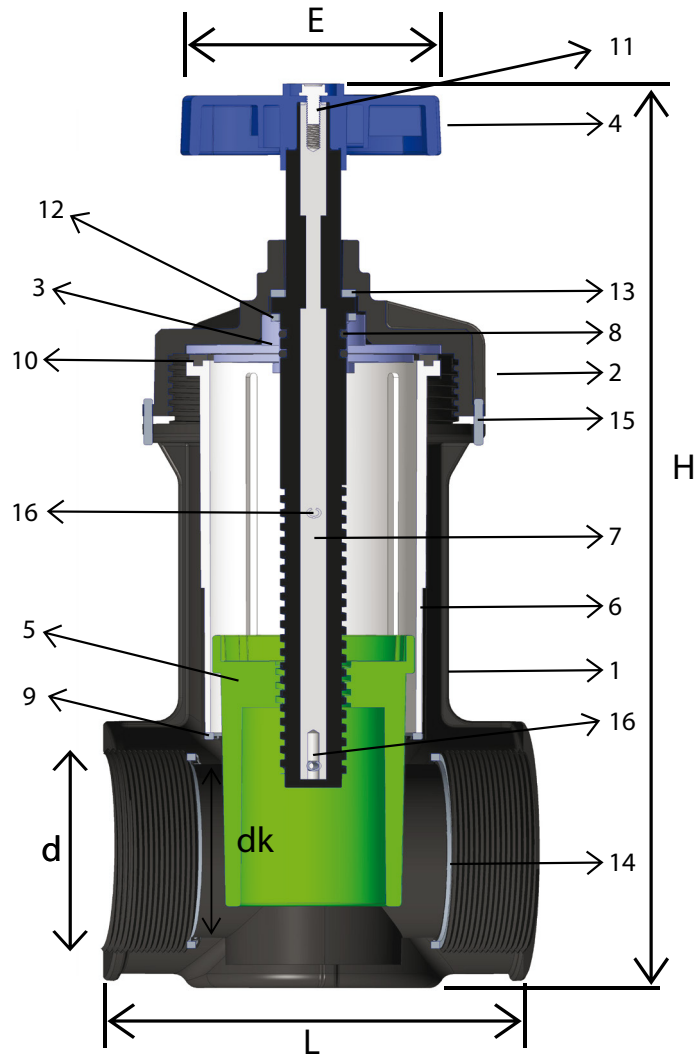
## NETAFIM™ THROTTLE VALVES – HEAD LOSS



\*When the valve is fully open

## TECHNICAL DIMENSIONS

### THROTTLE VALVES



### THROTTLE VALVES

Inlet connector - female threaded • Outlet connector - female threaded

SIZE	NOM	BSP (TPI)	NPT (TPI)	d (MM)	dk (MM)	E (MM)	L (MM)	H (MM)
2"		11.00	11.50	65.00	48.00	117.00	130.00	275.00
2½"		11.00	8.00	74.00	63.00	117.00	182.00	390.00
3"		11.00	8.00	93.00	74.00	117.00	182.00	390.00

### MATERIALS SPECIFICATIONS

PART NO.	PART NAME	MATERIAL	QTY.
1	Body	Reinforced PP	1
2	Flange	Reinforced PA	1
3	Disc	Reinforced PA	1
4	Handle	Reinforced PA	1
5	Cylinder	Reinforced PP	1
6	PC Housing	Polycarbonate	1
7	Shaft	Reinforced PA+MS	1
8	Shaft O-ring	HNBR	2

PART NO.	PART NAME	MATERIAL	QTY.
9	Bottom Gasket	HNBR	1
10	Sleeve Gasket	HNBR	1
11	Handle Screw	SS-304	1
12	Teflon Seal Big	Teflon	1
13	Teflon Seal Small	Teflon	1
14	Housing Gasket	HNBR	2
15	Locking Pin	SS-304	2
16	Dowel Pin(4*30) SS	SS-304	2